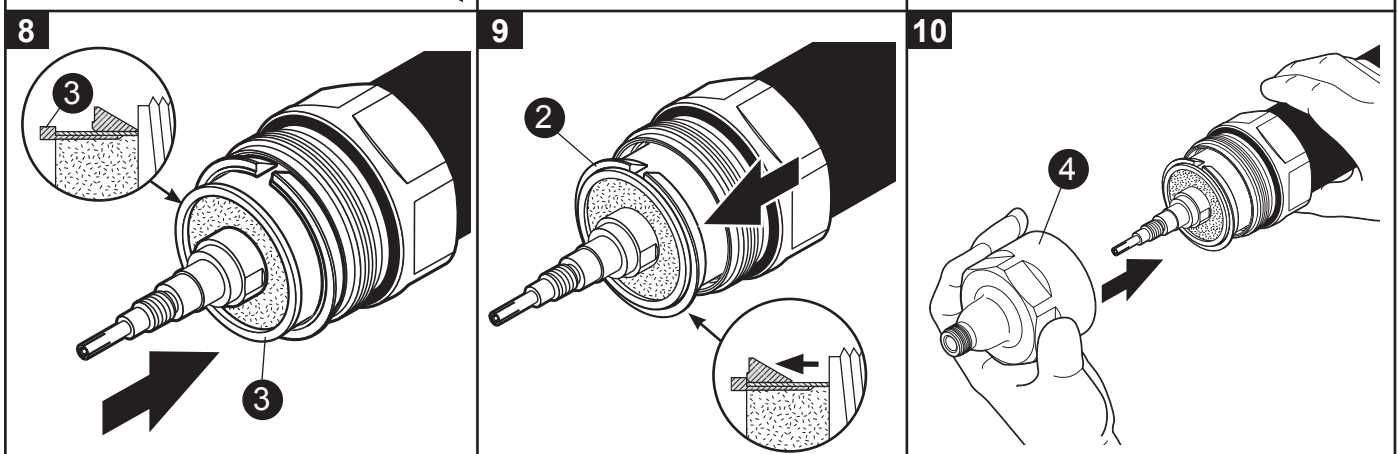
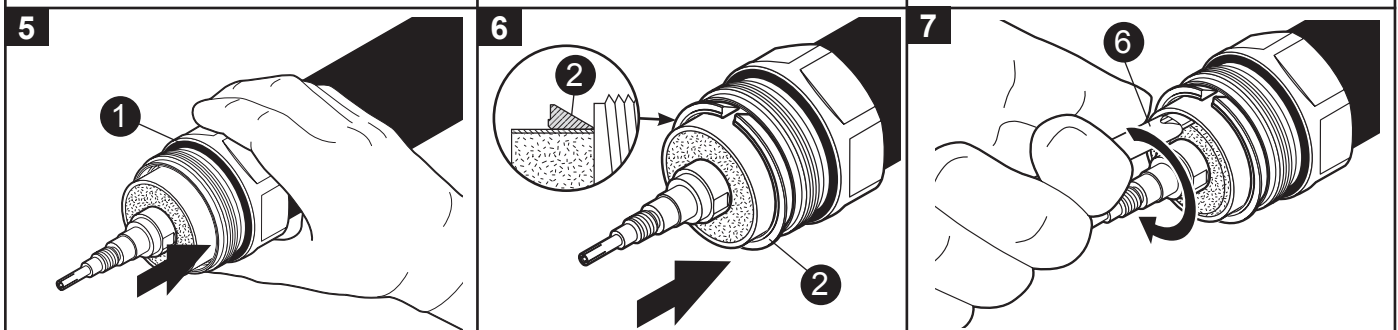
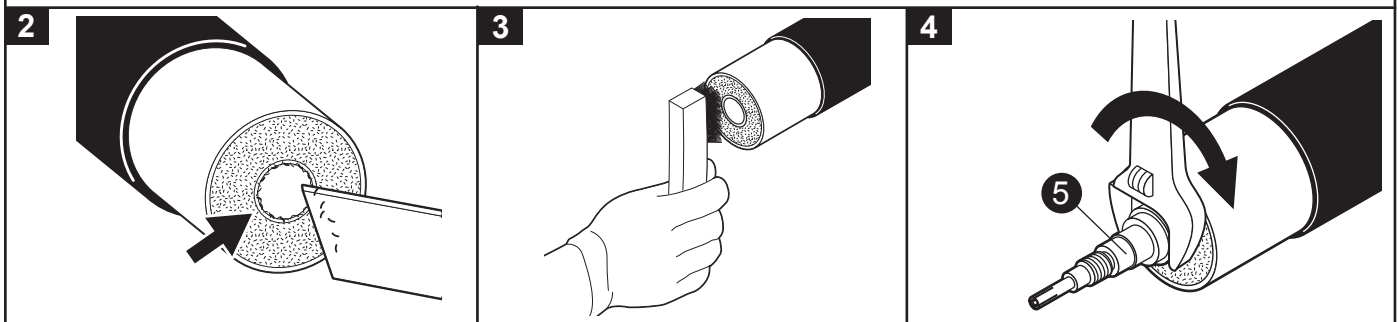
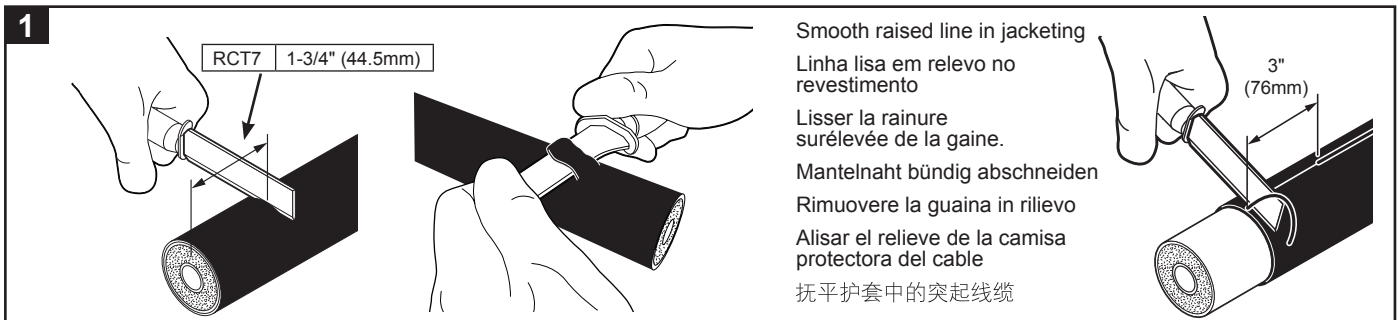
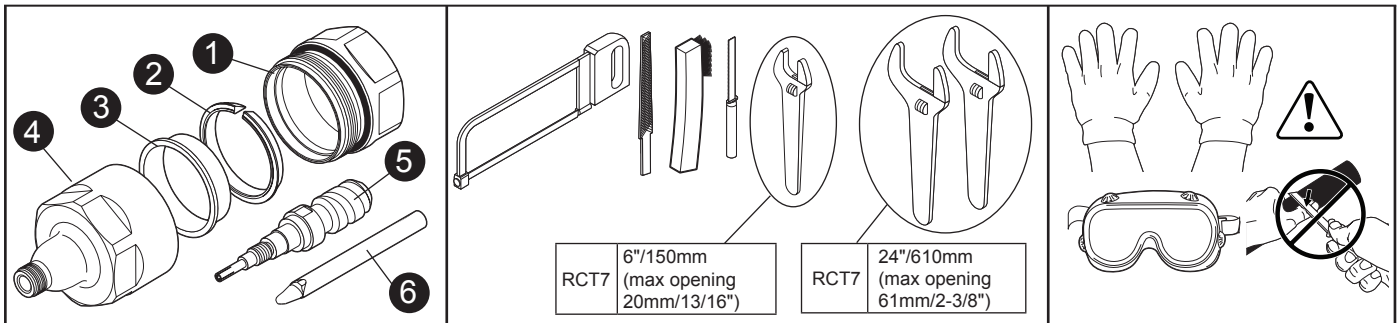



# Installation Instructions

## Low PIM Connectors

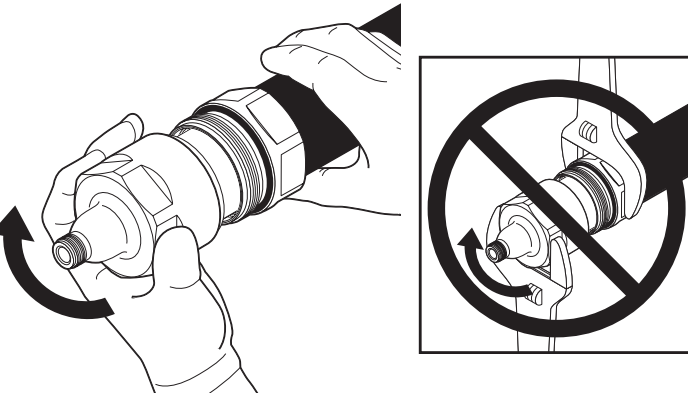
For RCT7, RADIAX® Coaxial Cable

Andrew Institute offers installation training.



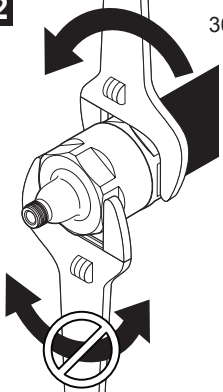
**11** 

**Do not over tighten**  
**Não apertar muito forte**  
**Ne pas serrer excessivement**  
**Nicht zu fest anziehen**  
**Non forzare la chiusura del connettore**  
**No apretar demasiado fuerte**  
**不要拧紧过度**

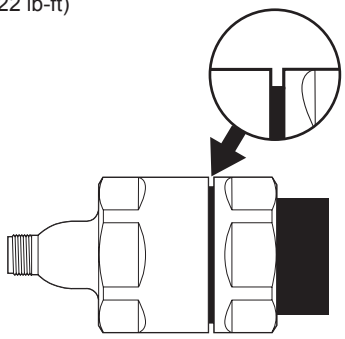


<b>7-16 DIN female</b> 0.081-0.070" (2.07-1.77 mm)	<b>7-16 DIN male</b> 0.069-0.058" (1.77-1.47 mm)
<b>Type N female</b> 0.187-0.207" (4.75-5.26 mm)	<b>Type N Male</b> 0.208-0.230" (5.28-5.84 mm)

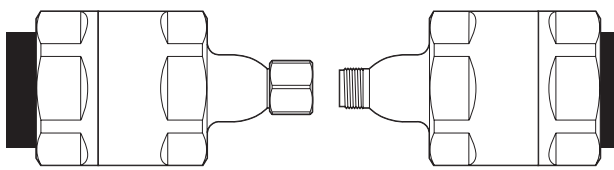
**12**



30 N•m (22 lb-ft)



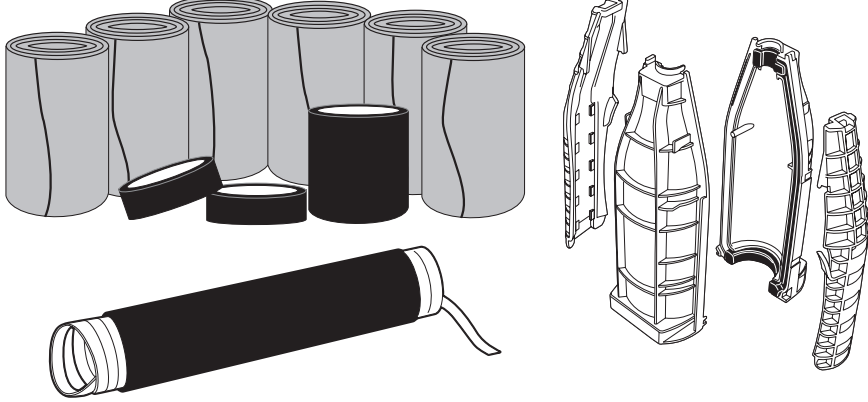
**13**




18-22 lb-ft (25-30 N•m)  
 N 15-20 lb-in (1.7-2.3 N•m)

**14** Weatherproofing **MUST** be applied.

A proteção contra intempéries **DEVE** ser aplicada.  
 L'étanchéisation **DOIT** être effectuée.  
 Wetterfeste Ausrüstung ist unbedingt erforderlich.  
 Se **DEBE** efectuar la impermeabilización.  
 È **NECESSARIO** applicare un impermeabilizzante.  
 必须具有耐候性



 部件名称 (Part Name)	表一 有毒有害物质或元素名称及含量标识格式					
	有毒有害物质或元素					
连接器 (Connector)	铅 (Pb)	汞 (Hg)	镉 (Cd)	六价铬 (Cr6+)	多溴联苯 (PBB)	多溴二苯醚 (PBDE)
	X	O	O	O	O	O

O: 表示有毒有害物质在该部件所有的均质材料中的含量均在SJ/T 11363-2006规定的限量要求以下。  
 X: 表示该有毒有害物质至少在该部件的某一均质材料中的含量超出SJ/T 11363-2006规定的限量要求。

**Andrew LLC**  
**Customer Service 24 hours**  
 U.S.A., Canada, Mexico:  
 for HELIAX® AVA Cables call 1-800-255-1479  
 for HELIAX® SFX, FXL Cables call 1-888-235-5732  
 U.K.: 0800 250055 Brazil: +55-15-2102-4000  
 Other Europe: +44 592 782 612

[www.commscope.com](http://www.commscope.com)  
 Visit our Web site at [www.commscope.com](http://www.commscope.com) or contact your local Andrew LLC representative for more information.  
 © 2015 CommScope, Inc. All rights reserved.  
 Andrew LLC is a trademark of CommScope. All trademarks identified by ® or ™ are registered trademarks or trademarks, respectively, of CommScope. This document is for planning purposes only and is not intended to modify or supplement any specifications or warranties relating to Andrew LLC products or services.

Notice: Andrew LLC disclaims any liability or responsibility for the results of improper or unsafe installation, inspection, maintenance, or removal practices.  
 Aviso: Andrew LLC no acepta ninguna obligación ni responsabilidad como resultado de prácticas incorrectas o peligrosas de instalación, inspección, mantenimiento o retiro.  
 Avis: Andrew LLC décline toute responsabilité pour les conséquences de procédures d'installation, d'inspection, d'entretien ou de retrait incorrectes ou dangereuses.  
 Hinweis: Andrew LLC lehnt jede Haftung oder Verantwortung für Schäden ab, die aufgrund unsachgemäßer Installation, Überprüfung, Wartung oder Demontage auftreten.  
 Atenção: A Andrew LLC abdica do direito de toda responsabilidade pelos resultados de práticas inadequadas e sem segurança de instalação, inspeção, manutenção ou remoção.  
 Avvertenza: Andrew LLC declina eventuali responsabilità derivanti dall'esecuzione di procedure di installazione, ispezione, manutenzione e smontaggio improprie o poco sicure.  
 注意: Andrew 公司申明對於不恰當或不安全的安裝、檢驗、維修或拆卸操作所導致的後果不負任何義務和責任

