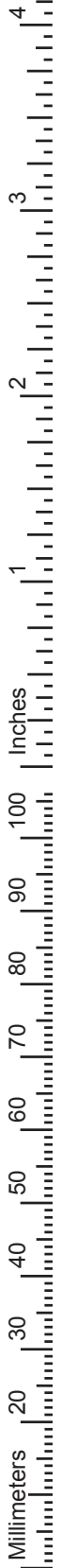
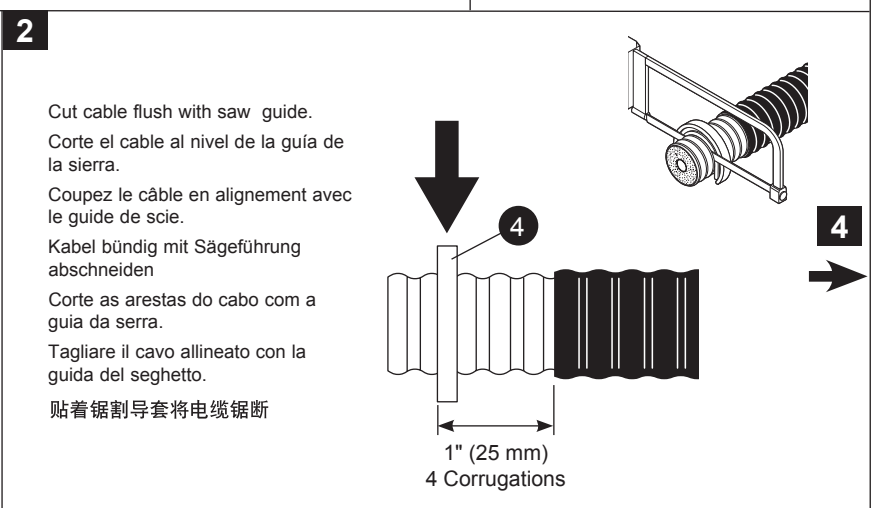
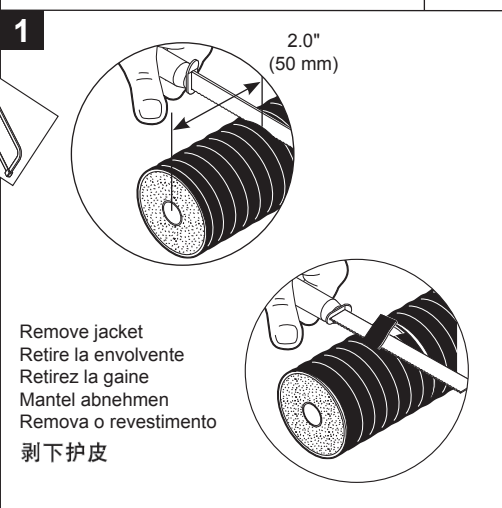
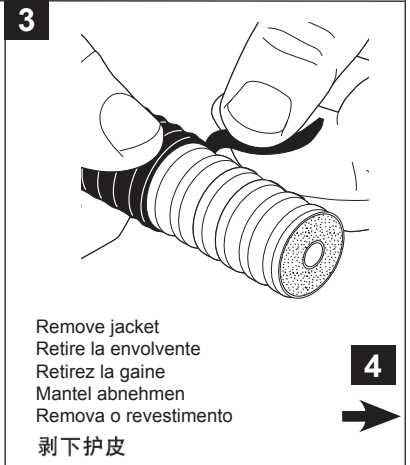
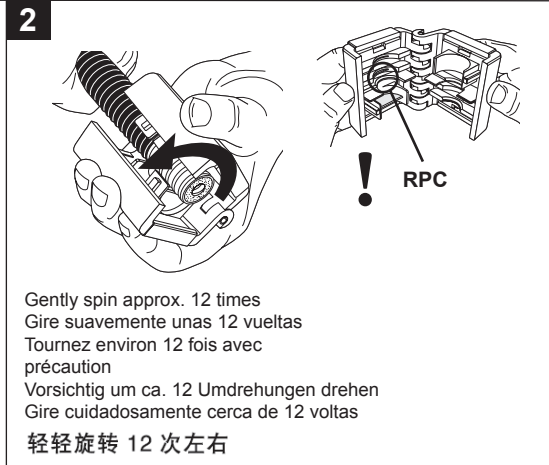
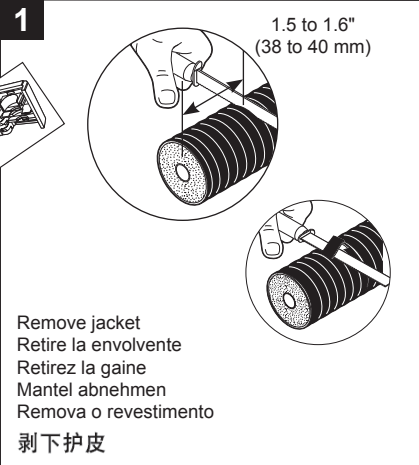
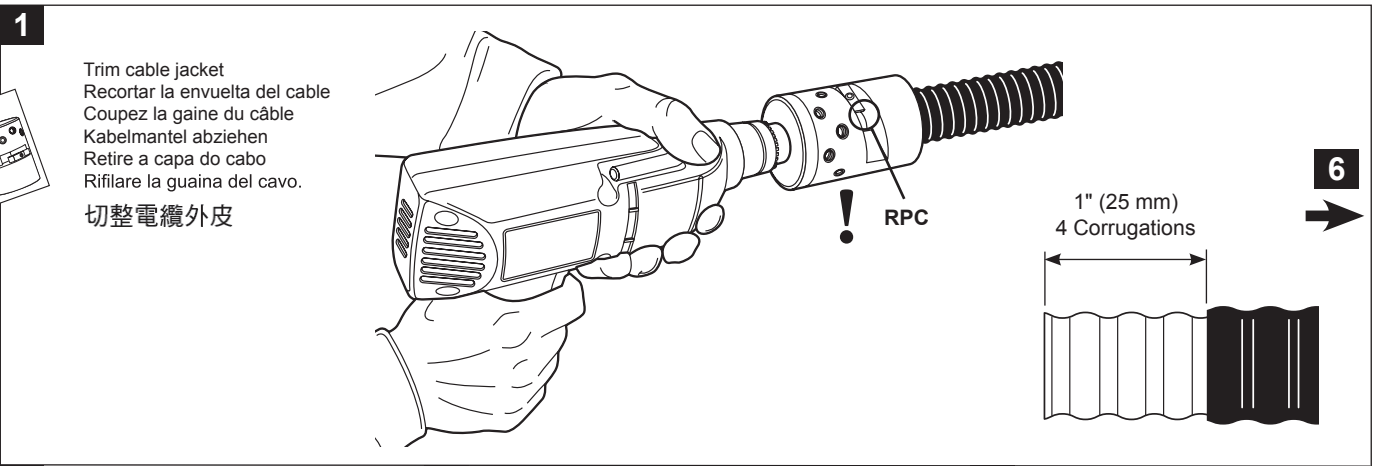
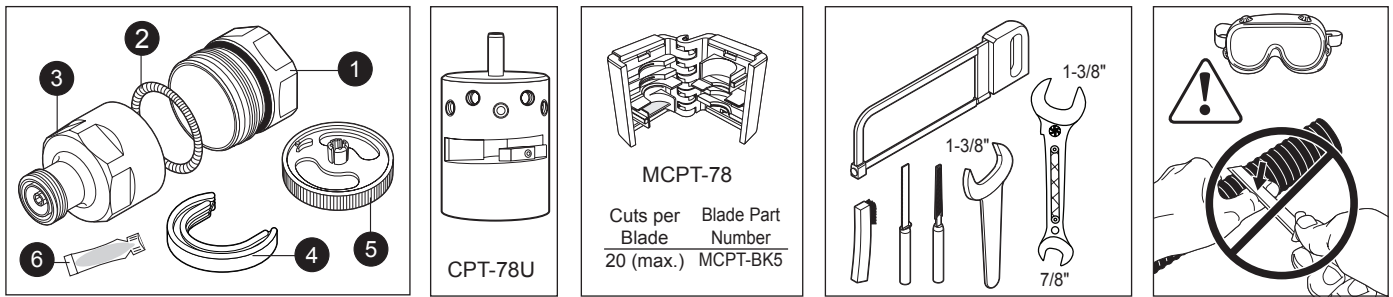


7/8" Positive Stop™ Connectors (PSA)

For HELIAX® AVA5-50 and AVA5RK-50 Coaxial Cables

Bulletin 7596263 Revision F Page 1 of 2

CommScope Infrastructure Academy offers installation training.

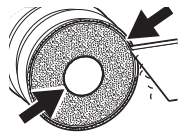
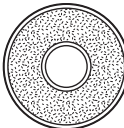
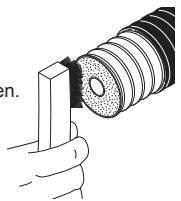
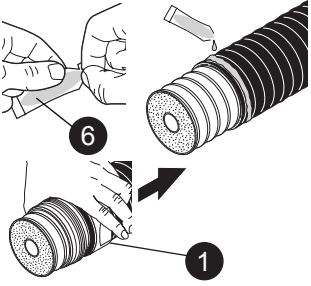
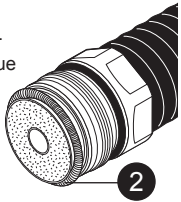
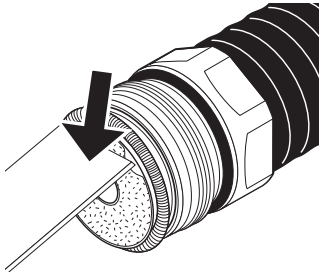
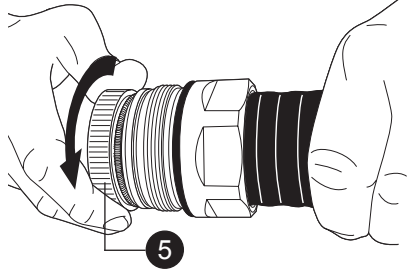
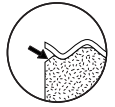

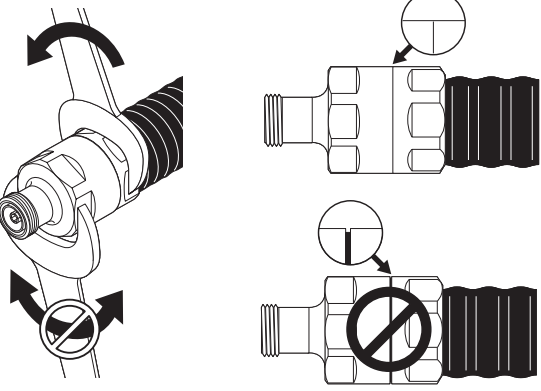
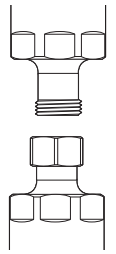


7/8" Positive Stop™ Connectors (PSA)

For HELIAX® AVA5-50 and AVA5RK-50 Coaxial Cables

Bulletin 7596263 Revision F Page 2 of 2

CommScope Infrastructure Academy offers installation training.

<p>4</p> <p>Deburr Quitar las virutas Ebavurez Entgraten Tirar as rebarbas Sbavare 去毛刺</p>  <p>Inside edge, inner conductor Borde interior, conductor interno Bord interne, conducteur intérieur Innenkante, Innenleiter Borda interna, conduttore interno Bordo interno, conduttore interno 内缘, 内导体</p> <p>Inside edge, outer conductor Borde interior, conductor externo Bord interne, conducteur extérieur Innenkante, Außenleiter Borda interna, conduttore esterno Bordo interno, conduttore esterno 内缘, 外导体</p> <p>Outside edge, outer conductor Borde exterior, conductor externo Bord externe, conducteur extérieur Außenkante, Außenleiter Borda externa, conduttore externo Bordo esterno, conduttore esterno 外缘, 外导体</p>	<p>Be sure outer conductor is round and undistorted Asegúrese de que el conductor externo es circular y no está deformado Vérifiez si le conducteur extérieur a conservé sa forme ronde, sans distorsion Außenleiter muss rund und nicht verformt sein Verifique se o condutor externo está redondo e se não está deformado Verificare che il conduttore esterno sia tondo e non deformato 外导体必须呈圆形, 且没有变形</p> 	<p>4 3 2 1</p> <p>Inches</p> <p>100 90 80 70 60 50 40 30 20</p> <p>Millimeters</p>
<p>5</p> <p>Remove debris. Retirar los restos. Enlevez les débris. Metallspäne entfernen. Remova os detritos. 去除残渣</p> 	<p>6</p> <p>Add clamping nut. Añadir la tuerca sujetadora. Mettez en place la écrou de serrage. Klemmutter montieren. Acrescente a porca de aperto. 加緊固螺母</p> 	<p>7</p> <p>Add spring ring. Añadir el anillo elástico. Mettez en place la bague ressort. Federring montieren. Acrescente o anel de mola. 加彈簧圈</p> 
<p>8</p> <p>Compress foam. Comprimir el material de espuma. Comprimez la mousse. Verschäumung zusammendrücken. Comprima a espuma. 壓緊泡沫塑:</p> 	<p>5</p> 	<p>1/8" (3 mm) minimum Mínimo 1/8" (3 mm) 1/8" (3 mm) minimum Mind. 1/8" (3 mm) Mínimo de 1/8" (3 mm) Mínimo 1/8" (3 mm) 至少 英寸 1/8" (3 mm)</p> 
<p>9</p> <p>Attach connector to body. A—adir el cuerpo del conector. Fixez le corps du connecteur. Steckergehäuse befestigen. Coloque o corpo do conector. 清理毛刺和碎屑</p> 		<p>Type N 15-20 lb-in (1.7-2.3 N·m) 7-16 DIN 220-265 lb-in (25-30 N·m)</p> 

NOTE: Connector interface threads and O-rings are designed for mate ability without ANY supplementary treatment to threads or O-rings. If any type of supplementary lubricants/oils are used, the warranty will be void, and connector/assembly performance may be affected.

CommScope

1100 CommScope Place SE P.O. Box 339, Hickory, NC 28603-0339
(828) 324-2200 (800) 982-1708
www.commscope.com

Customer Service 24 hours

North America: +1-800-255-1479 (toll free)
Any country: +1-779-435-6500
email: acicustomersupportcenter@commscope.com

Notice: CommScope disclaims any liability or responsibility for the results of improper or unsafe installation, inspection, maintenance, or removal practices.
Aviso: CommScope no acepta ninguna obligación ni responsabilidad como resultado de prácticas incorrectas o peligrosas de instalación, inspección, mantenimiento o retiro.
Avis: CommScope décline toute responsabilité pour les conséquences de procédures d'installation, d'inspection, d'entretien ou de retrait incorrectes ou dangereuses.
Hinweis: CommScope lehnt jede Haftung oder Verantwortung für Schäden ab, die aufgrund unsachgemäßer Installation, Überprüfung, Wartung oder Demontage auftreten.
Atenção: A CommScope abdica do direito de toda responsabilidade pelos resultados de práticas inadequadas e sem segurança de instalação, inspeção, manutenção ou remoção.
Avvertenza: CommScope declina eventuali responsabilità derivanti dall'esecuzione di procedure di installazione, ispezione, manutenzione e smontaggio improprie o poco sicure.
注意: CommScope 公司申明對於不恰當或不安全的安裝、檢驗、維修或拆卸操作所導致的後果不負責任 何義務和責任