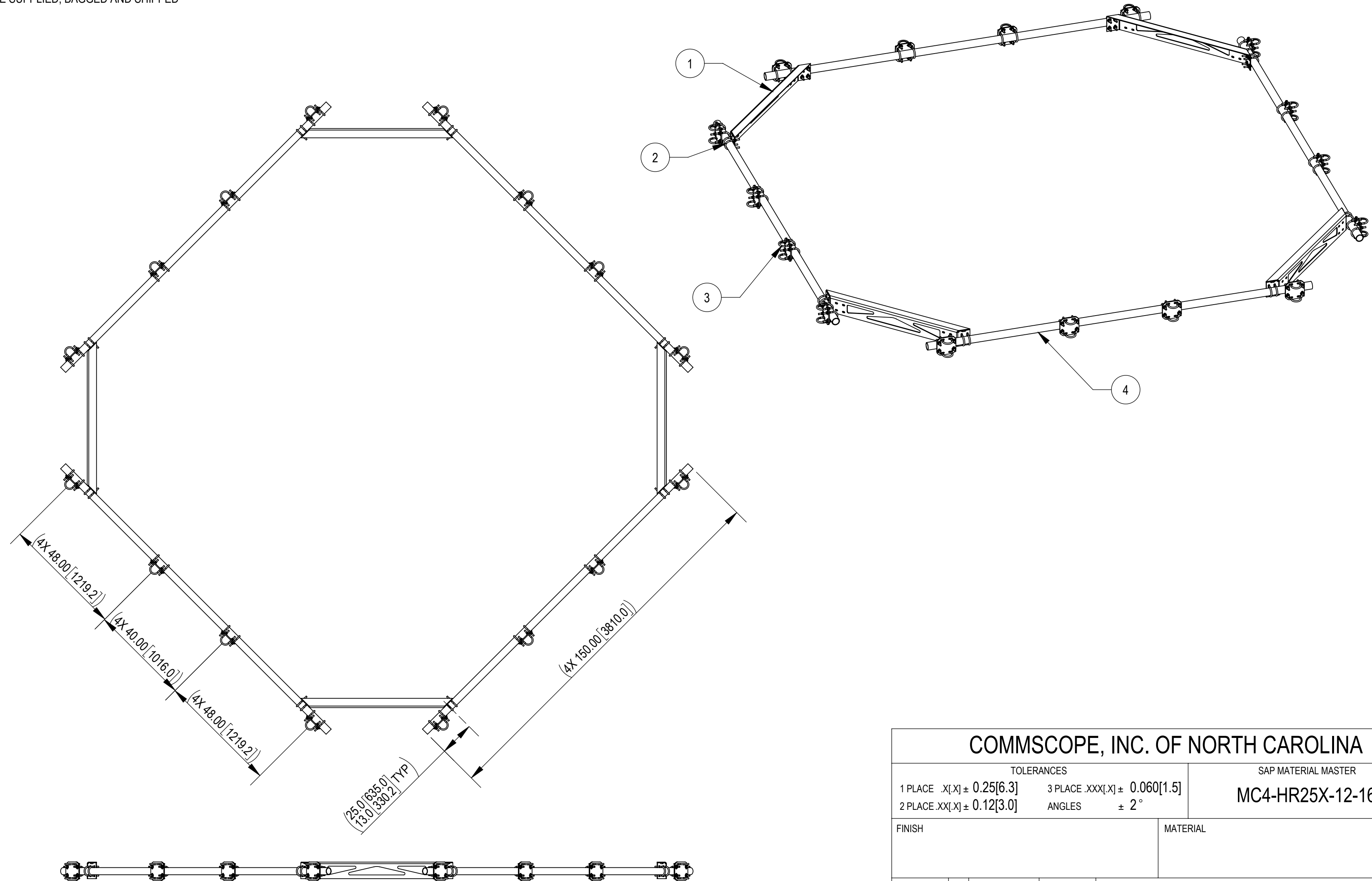


- 1.0 GENERAL NOTES
  - 1.1 ALL METRIC DIMENSIONS ARE IN BRACKETS [X.X]
  - 1.2 FOR PATENT INFO: <https://www.cs-pat.com>
- 2.0 DESIGN NOTES
  - 2.1 KIT WILL WORK WITH 12 FOOT MC-PM4 PLATFORM KITS AND MONOPOLE SIZES FROM 15" OD TO 45" OD.
- 3.0 MANUFACTURING/SPECIAL REQUIREMENTS
  - 3.1 TIGHTEN ALL BOLTS SECURING FLAT PLATES BY THE TURN-OF-NUT METHOD. TIGHTEN ALL U-BOLTS USING TURN-OF-NUT METHOD WITH ATTENTION TO LEAVE EQUAL DISTANCE AND EQUAL FORCE ON EACH LEG OF THE U-BOLT.
- 4.0 TEST
- 5.0 PACKAGING
  - 5.1 PACKAGING SHALL MEET COMMSCOPE REQUIREMENTS PER DOCUMENT IS-PL-3005
  - 5.2 PRINTED DOCUMENT TO BE PLACED INSIDE POLYBAG AND THEN IN SHIPPING CONTAINER
  - 5.3 EXTRA HARDWARE MAYBE SUPPLIED, BAGGED AND SHIPPED

REVISIONS			
REV.	DESCRIPTION	DATE	APPROVED
A	INITIAL RELEASE	YMENG 21OCT21	BA1025 15811
B	UPDATED VIEW ON SHEET 2 TO MATCH PLATFORM CHANGED	YMENG 08OCT22	BA1025 40156827CMO



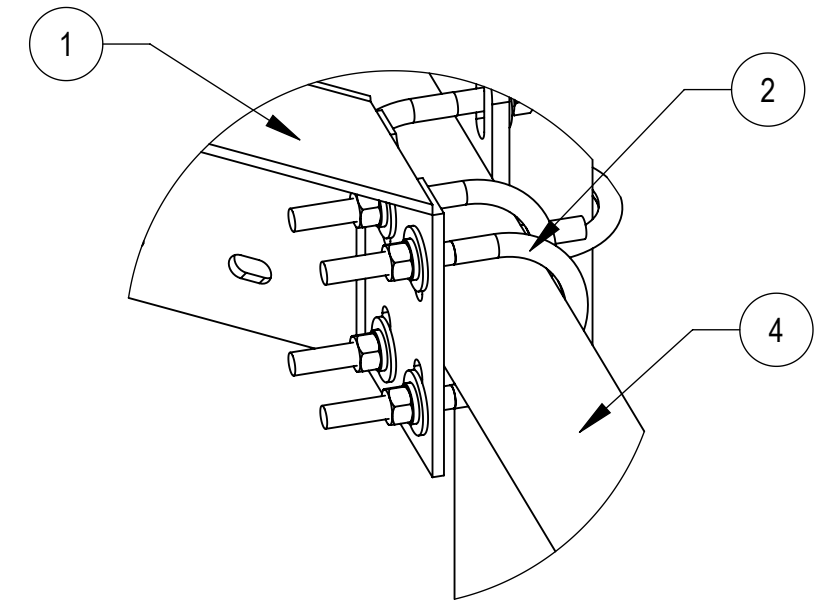
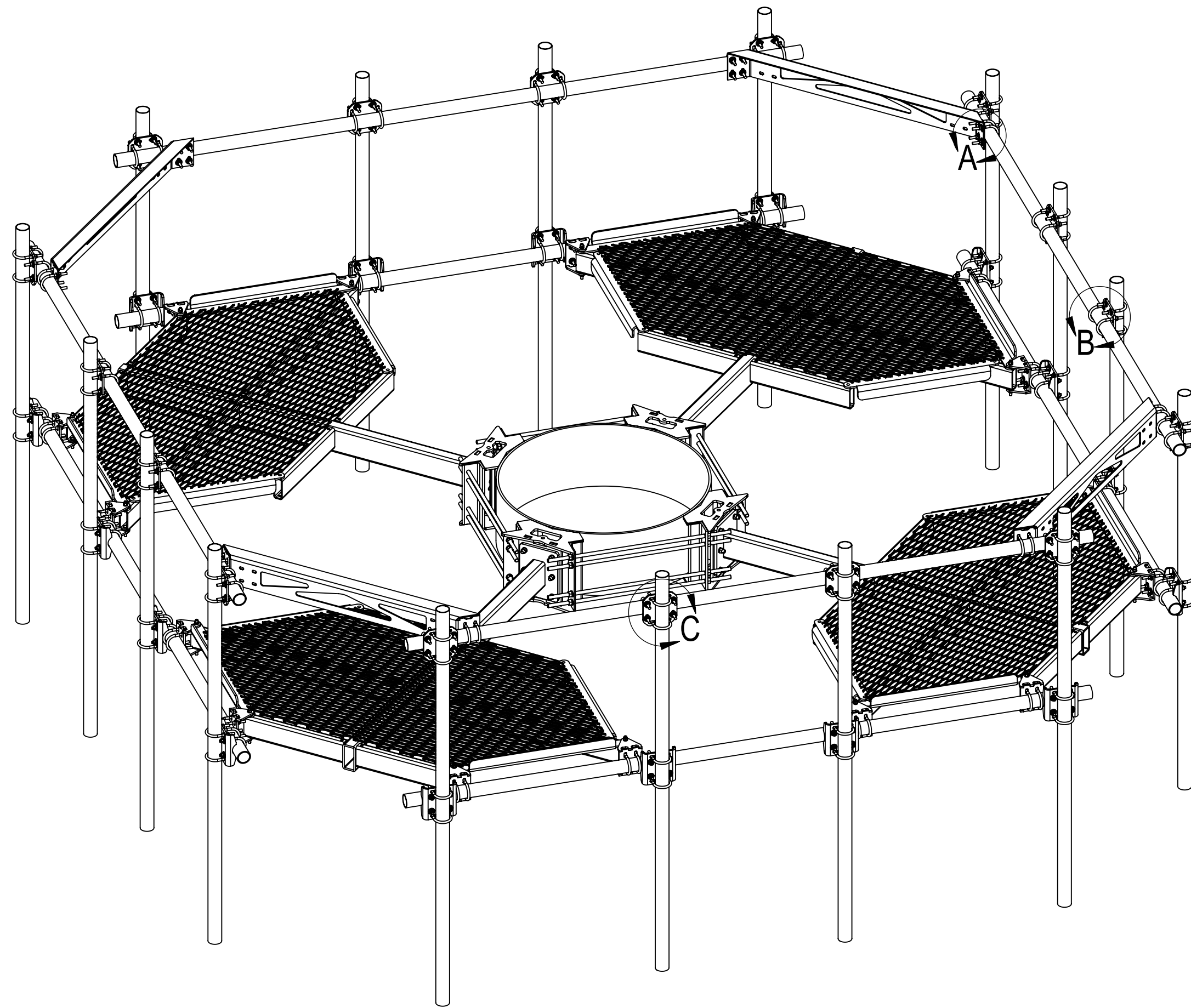
A COMPONENT PART NUMBERS PROVIDED FOR ASSEMBLY PURPOSES; INDIVIDUAL COMPONENTS MAY BE SHIPPED AS PARTS WITHIN AN INCLUDED KIT.

ITEM	PART NO.	DESCRIPTION	QTY.	WEIGHT	NOTE NO.
1	MC4-HR25X-2000	CORNER WELDMENT SNUB NOSE HANDRAIL	4	34.72 LBS	
2	GUB-4352	1/2" X 3" X 5-1/4" GALV U-BOLT	16	0.71 LBS	
3	XP-2525	CROSSOVER PLATE KIT, 2-7/8 OD X 2-7/8 OD	16	8.37 LBS	
4	MT-546-150	PIPE, 2.875"OD X 150"	4	72.67 LBS	

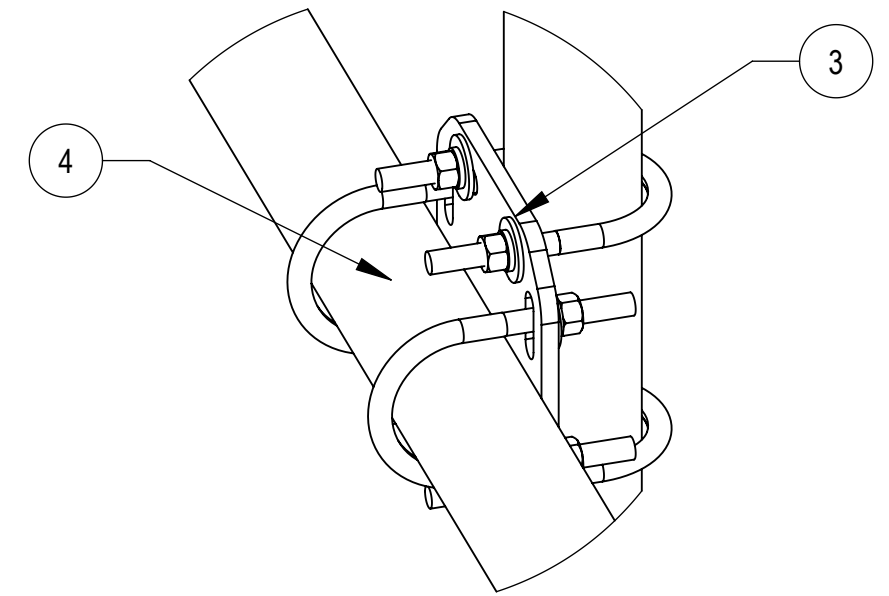
DENSITY	MASS	578.03	lbs/in <sup>3</sup>
	VOLUME	2040.28	lbs
	SURFACE AREA	18865.71	in <sup>2</sup>
	HEIGHT	7.4[188]	
	LENGTH	217[5512]	
	WIDTH	217[5512]	

© 2022 CommScope, Inc. Confidential

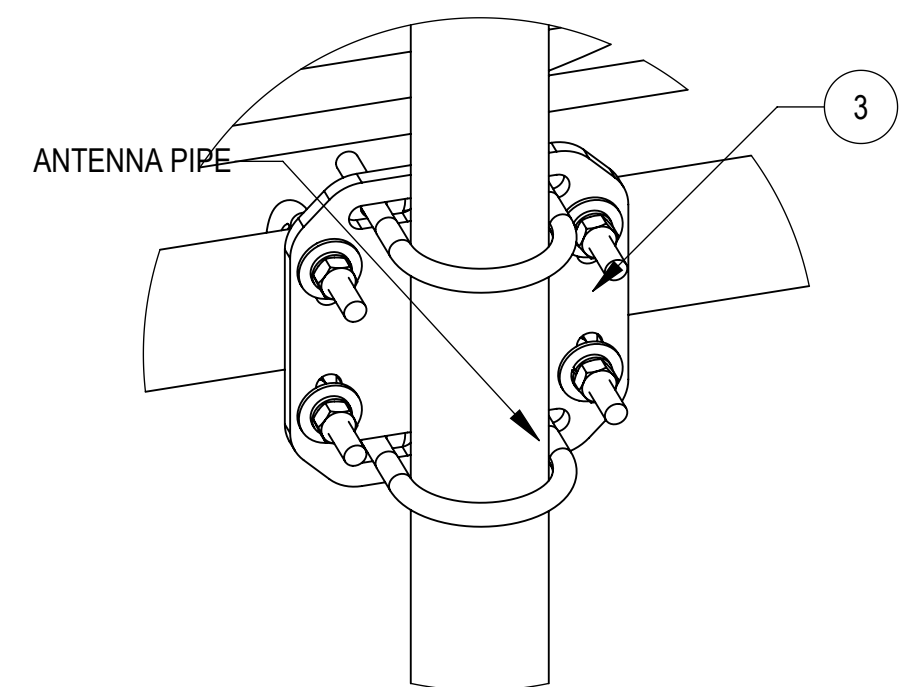
<b>COMMSCOPE, INC. OF NORTH CAROLINA</b>							
TOLERANCES		SAP MATERIAL MASTER					
1 PLACE .X[X] ± 0.25[6.3]	3 PLACE .XXX[X] ± 0.060[1.5]	<b>MC4-HR25X-12-16</b>					
2 PLACE .XX[X] ± 0.12[3.0]	ANGLES ± 2°						
FINISH		MATERIAL					
UNLESS OTHERWISE SPECIFIED DIMENSIONS ARE IN INCHES INTERPRET PER ANSI Y 14.5M-1994	NAME	DATE	TITLE				
	CE YMENG	10/21/2021	<b>HR4, MONO PLATF, 2-7/8X12,16, 2-7/8 HRW</b>				
	RW YMENG	10/08/2022					
	AD BA1025	10/12/2022	SCALE	DOCUMENT NO.			
	RE YMENG	01/11/2023	<b>1:48</b>	<b>MC4-HR25X-12-16</b>			
ECN 40156827CMO	SIZE	Auth Group	INSL				
	<b>C</b>	MODEL		DRAWING			SHEET
		VERSION	STATUS	REVISION	VERSION	STATUS	REVISION
		01	RE	B	01	RE	B



**DETAIL A**  
SCALE 1 : 4


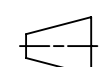


**DETAIL B**  
SCALE 1 : 4



**DETAIL C**  
SCALE 1 : 4

IMAGE SHOWS MC4-HR25X-12-16 MOUNTED ON AN MC-PM12M4 SERIES PLATFORM.  
 THE PLATFORM, VERTICAL PIPES, CROSSOVER PLATE KITS AND RING MOUNT ARE SHOWN FOR MOUNTING CLARITY AND  
 ARE NOT INCLUDED IN THIS KIT.  
 CONFIGURATION SHOWN IS FOR 45" OD POLE MOUNTING.

COMMSCOPE, INC. OF NORTH CAROLINA				
TITLE HR4, MONO PLATF, 2-7/8X12,16, 2-7/8 HRW				
SIZE <b>C</b>	SCALE <b>1:48</b>	DOCUMENT NO. <b>MC4-HR25X-12-16</b>		
 		DRAWING		SHEET 2 OF 2
		VERSION 01	STATUS RE	