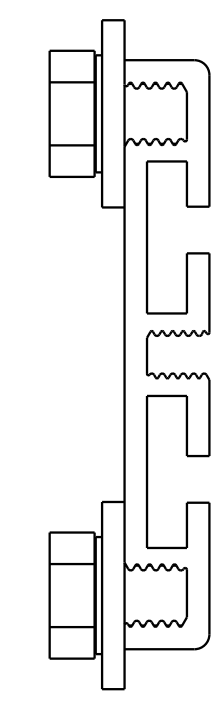
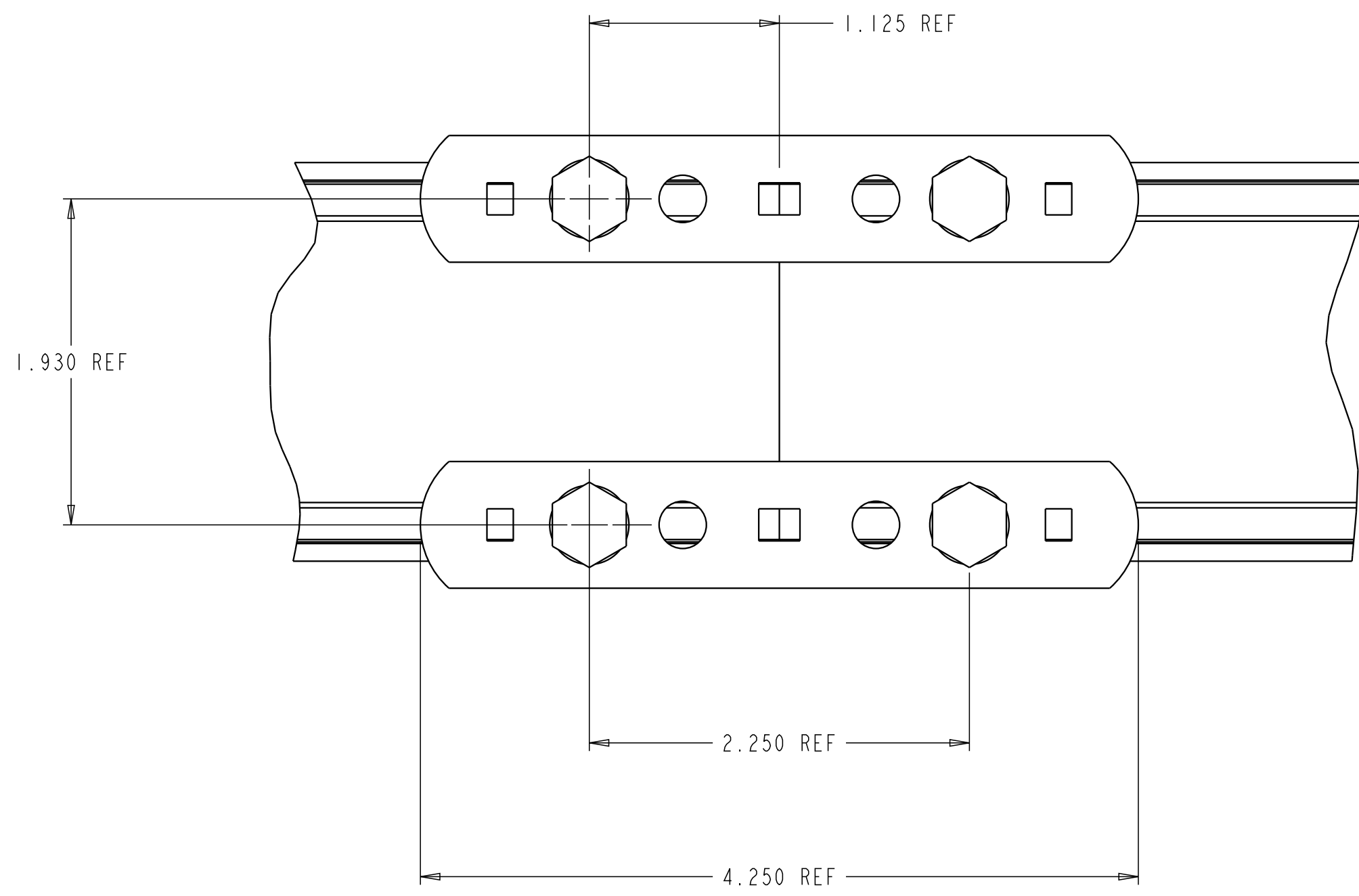
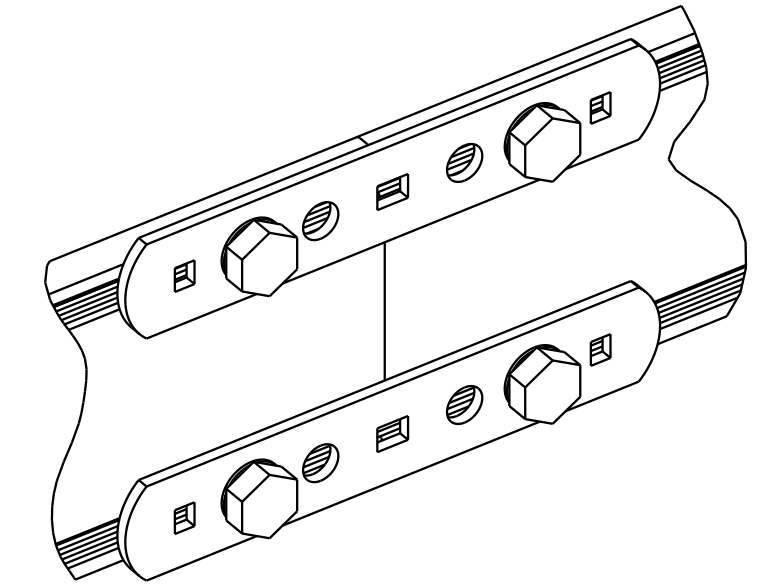
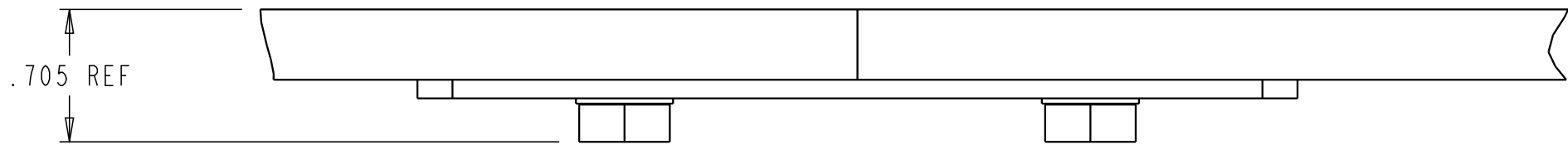


REV.	MCO	DWN	DATE
B	40017421MCO	OAVL	05-FEB-15
C	8000018631	OAVL	29-DEC-16



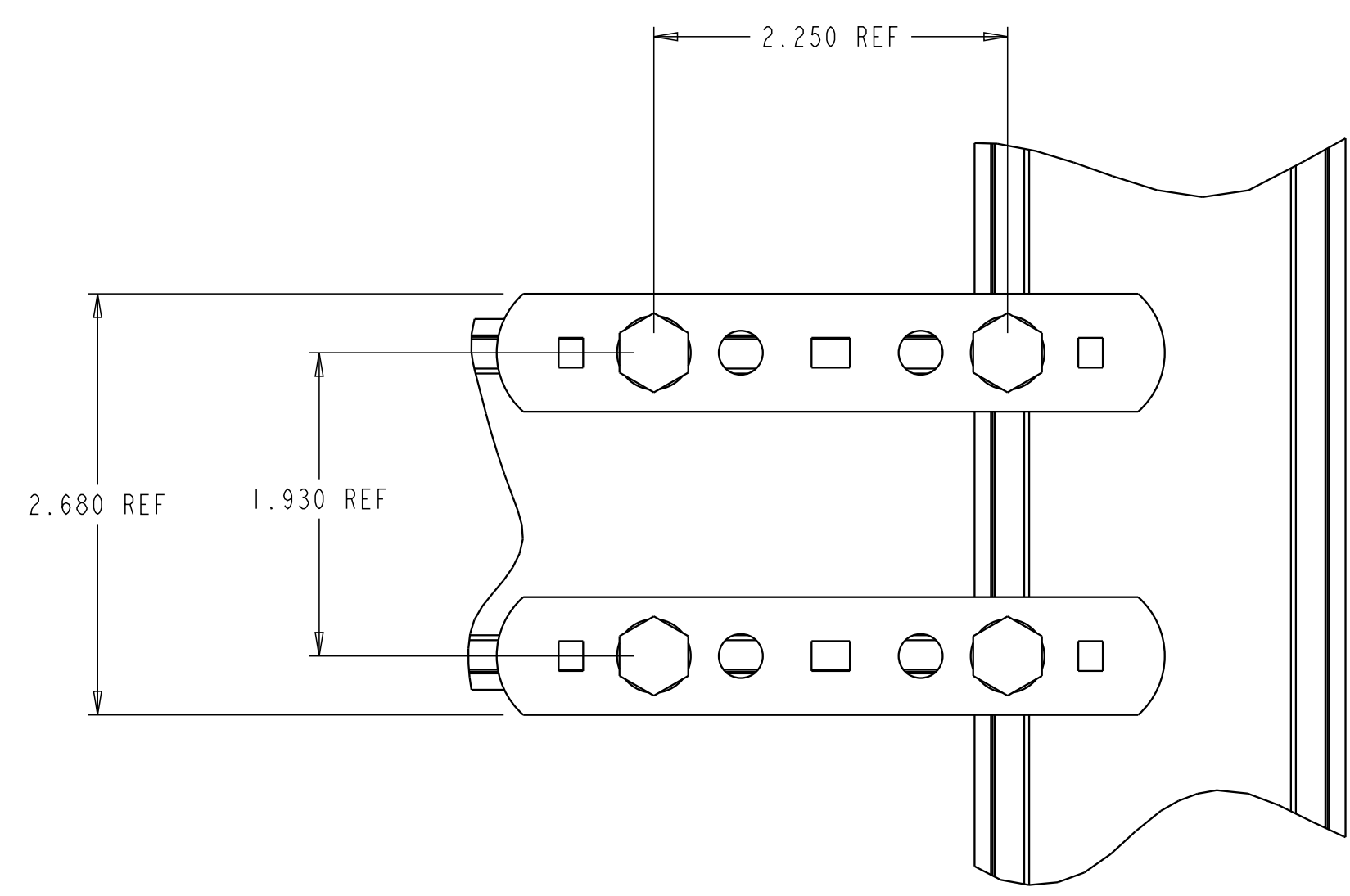
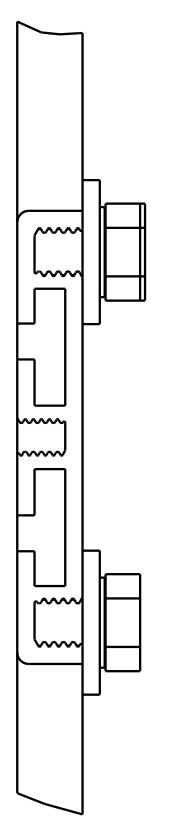
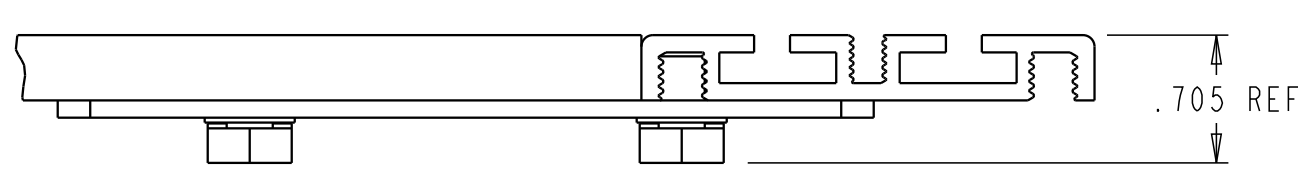
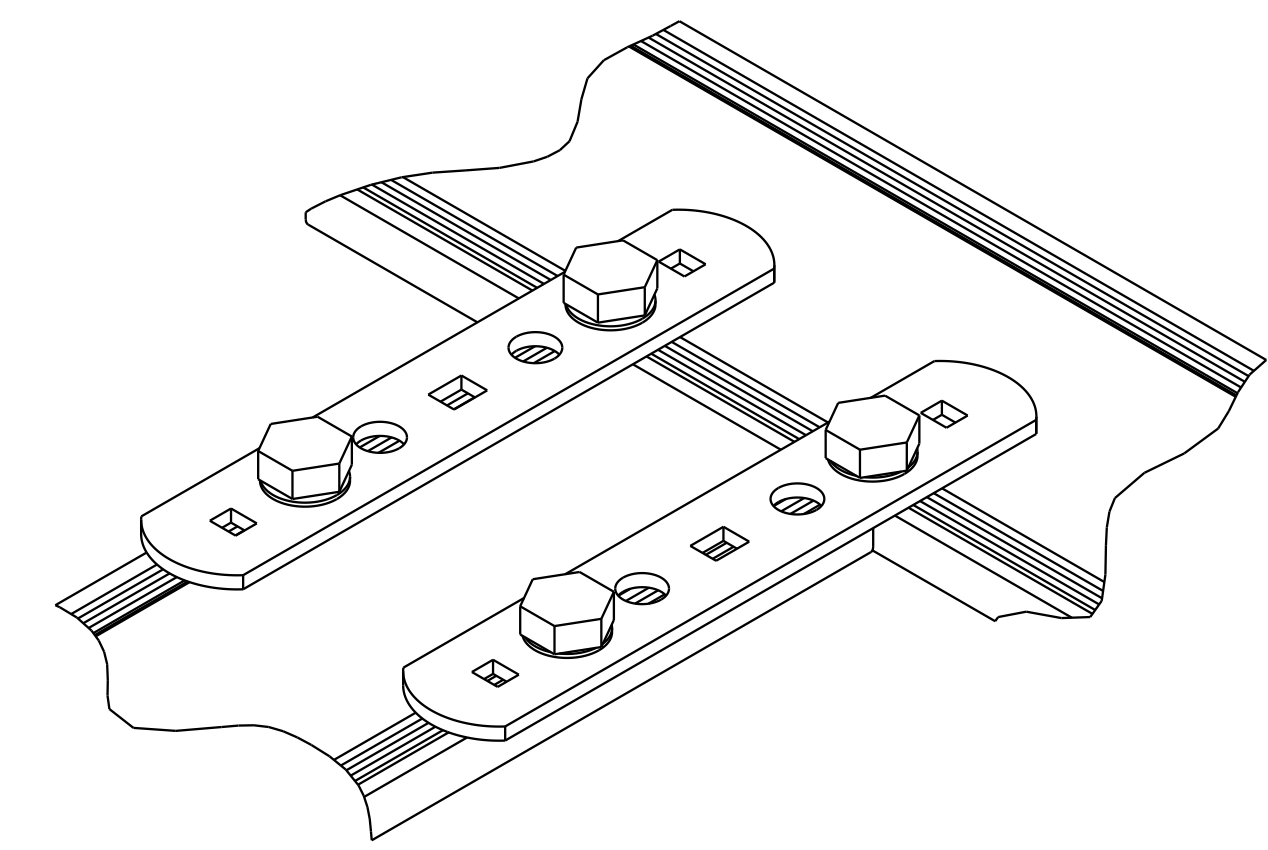
CATALOG NO.: FGS-HAEJ-C

COMMSCOPE, INC.

<small>© 2016 COMMSCOPE, INC. CONFIDENTIAL NOTICE: THESE DRAWINGS AND SPECIFICATIONS ARE THE PROPRIETARY PROPERTY OF COMMSCOPE, INC. AND MAY BE USED ONLY FOR THE SPECIFIC PURPOSE AUTHORIZED IN WRITING BY COMMSCOPE, INC.</small>	TITLE FIBERGUIDES SUPPORT JUNCTION INSTALLATION DRAWING	
	ALL DIMS AND TOLERANCES .XX:± ARE INCHES UNLESS .XXX:± OTHERWISE SPECIFIED ANGULAR:±	DRAWING NUMBER 4-29000-3141
DO NOT SCALE DRAWING	ENGR: R. HENNEBERGER DWN: D. CARPENTER	SHT. 1 OF 2



**DIMENSIONS IN INCHES
 THIRD ANGLE PROJECTION**



COMMSCOPE, INC.

© 2016 COMMSCOPE, INC. CONFIDENTIAL
 NOTICE: THESE DRAWINGS AND SPECIFICATIONS
 ARE THE PROPRIETARY PROPERTY OF
 COMMSCOPE, INC. AND MAY BE USED ONLY FOR THE
 SPECIFIC PURPOSE AUTHORIZED IN WRITING BY
 COMMSCOPE, INC.

TITLE FIBERGUIDES
 SUPPORT JUNCTION
 INSTALLATION DRAWING

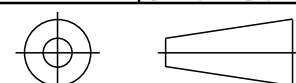
ALL DIMS AND TOLERANCES .XX:±
 ARE INCHES UNLESS .XXX:±
 OTHERWISE SPECIFIED ANGULAR:±

C SIZE DRAWING NUMBER C REV
 4-29000-3141

DO NOT SCALE DRAWING

ENGR: R. HENNEBERGER
 DWN: D. CARPENTER

SHT. 2 OF 2



DIMENSIONS IN INCHES
 THIRD ANGLE PROJECTION