

4

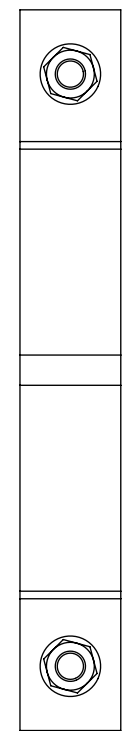
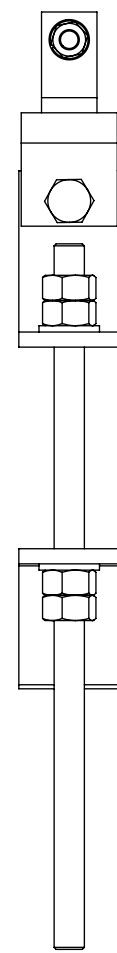
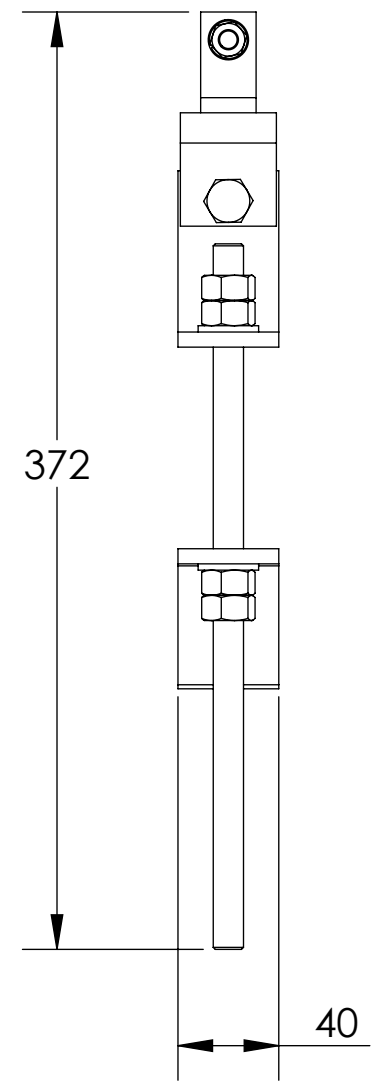
3

2

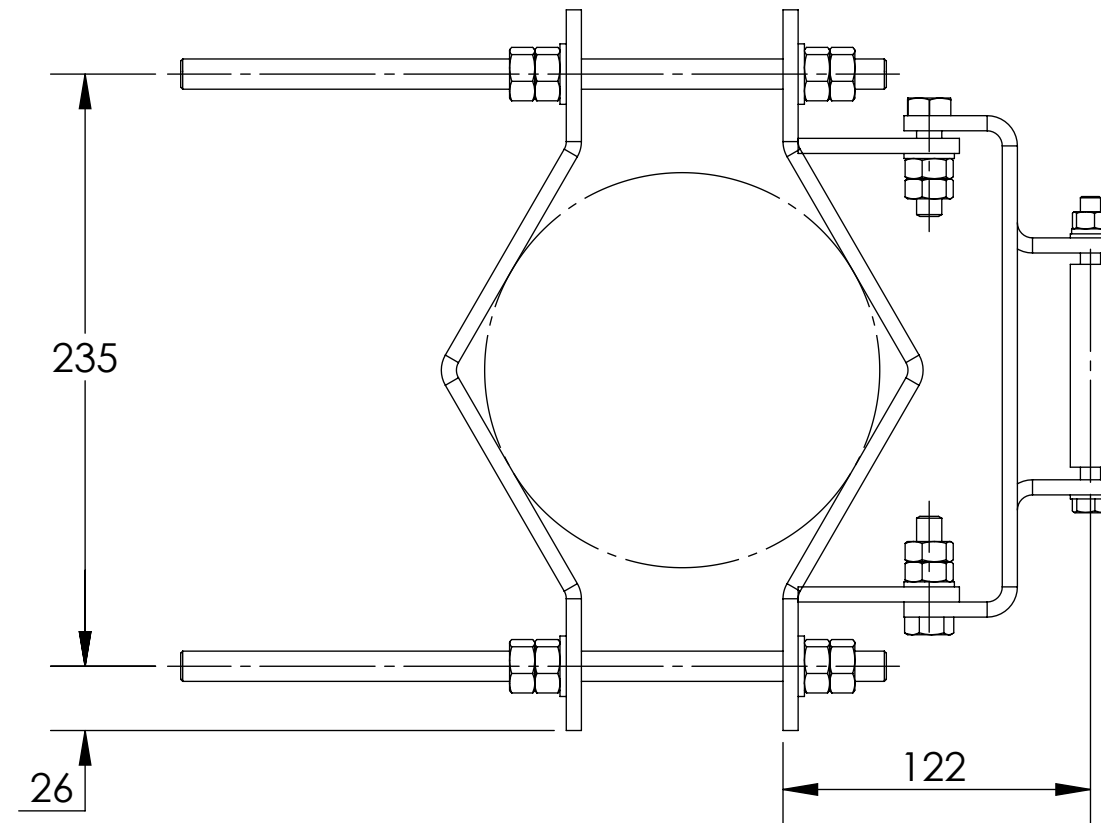
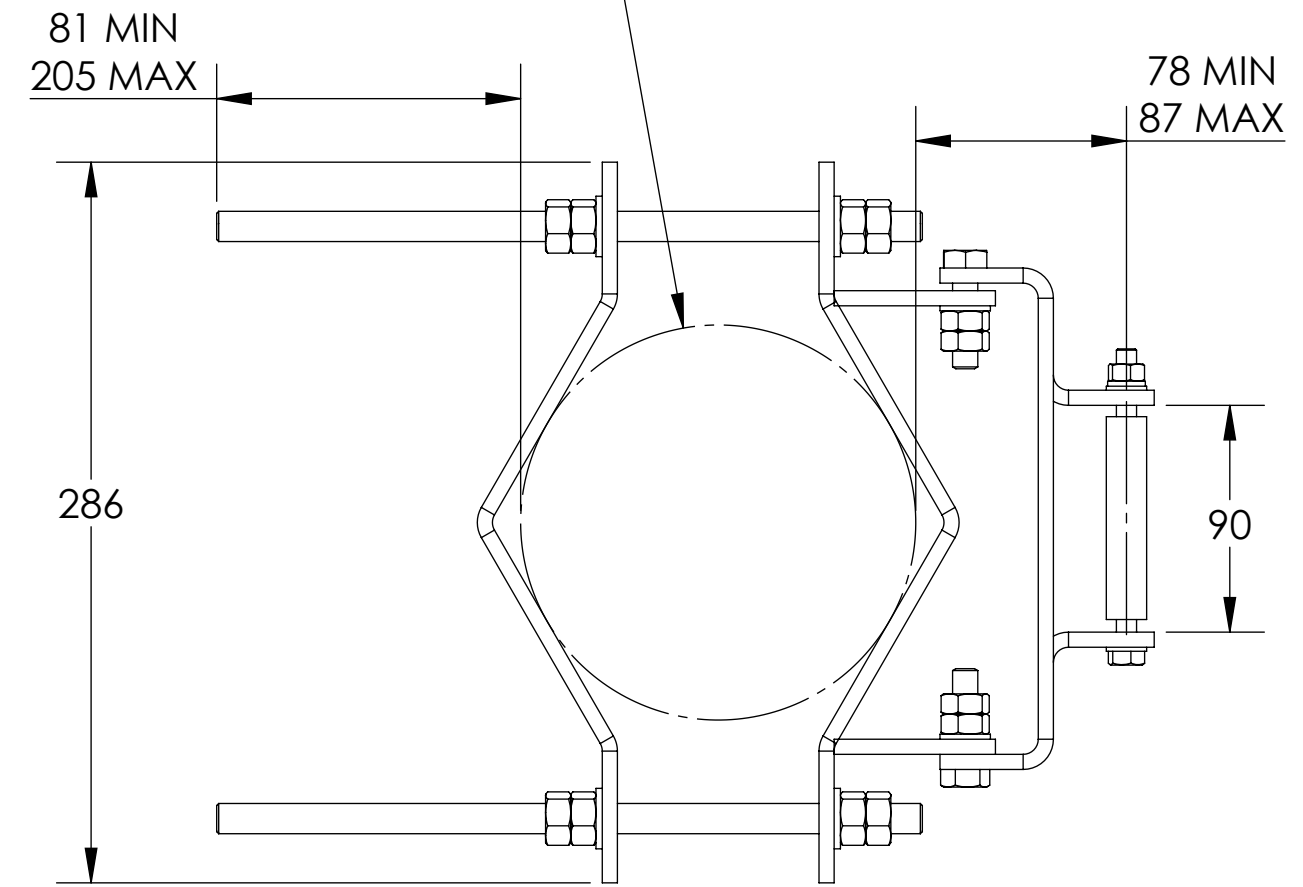
1

NOTES:


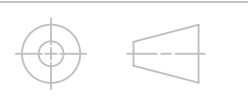
REVISIONS			
REV	DESCRIPTION	DATE	APPROVED
A	ECR 800003574: REL TO PRODUCTION PER 601665	14AUG14	JJH
C	ECR 8000010306: ADD DIMENSIONS.	21OCT15 ZHC	S.LIU/JIHE
D	ECR 40162831CMO: UPDATE DRAWING WITH LATEST MODEL.	21DEC22 SL	ZYL/ HANSEN.W
E	ECR 40168849CMO: UPDATE DRAWING WITH LATEST MODEL.	14APR23 SL	ZYL/ HANSEN.W



POLE DIAMETER: 88 - 203 mm



# DB380-9-ADFD1820

MATERIAL N/A	DENSITY: N/A MASS: 1.20 kg	UNLESS OTHERWISE SPECIFIED DIMENSIONS ARE IN MILLIMETERS INTERPRET PER ISO STANDARDS HANDBOOK TECHNICAL DRAWINGS VOLUMES 1 & 2, THIRD EDITION (2002)	 WESTCHESTER, IL. 60154 U.S.A.					
FINISH N/A	TOLERANCES	THIRD ANGLE PROJECTION	PRODUCT DRAWING					
	0 PLACE X ± 1 PLACE .X ± 2 PLACE .XX ± ANGLES ±	 DRAWN BY ECN 40168849CMO	SIZE <b>A2</b>	CAGE CODE <b>84147</b>				
ALL SURFACES ✓	AUTH. GROUP BSA	MODEL	DOCUMENT NO. DB380-9-ADFD1820-L					
NOTICE: These drawings and specifications are the proprietary property of ANDREW CORPORATION and may be used only for the specific purpose authorized in writing by Andrew.		VERSION 03	STATUS RE	REVISION D	VERSION 04	STATUS RE	REVISION E	SHEET 1 OF 1

4

3

2

1