

4

3

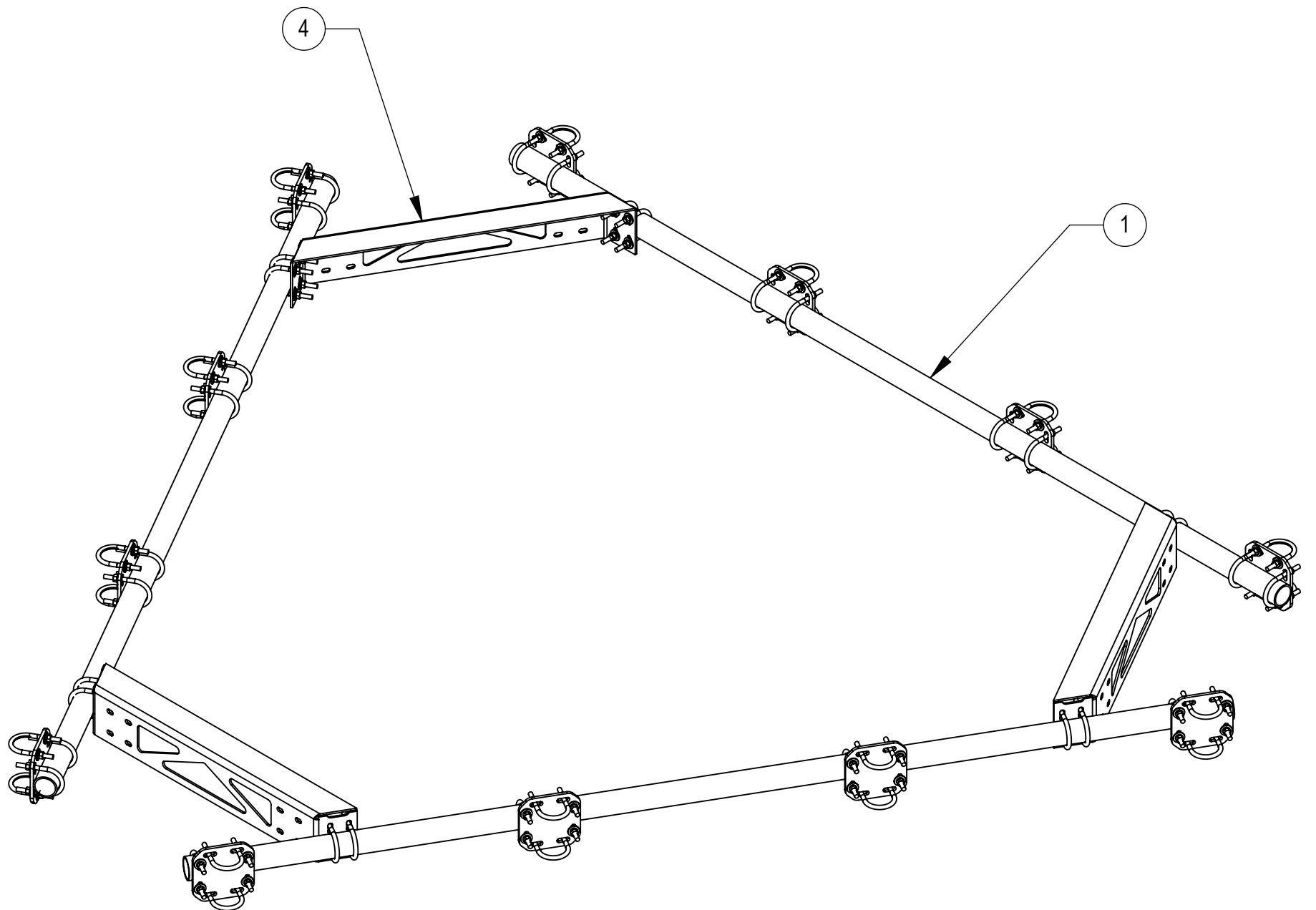
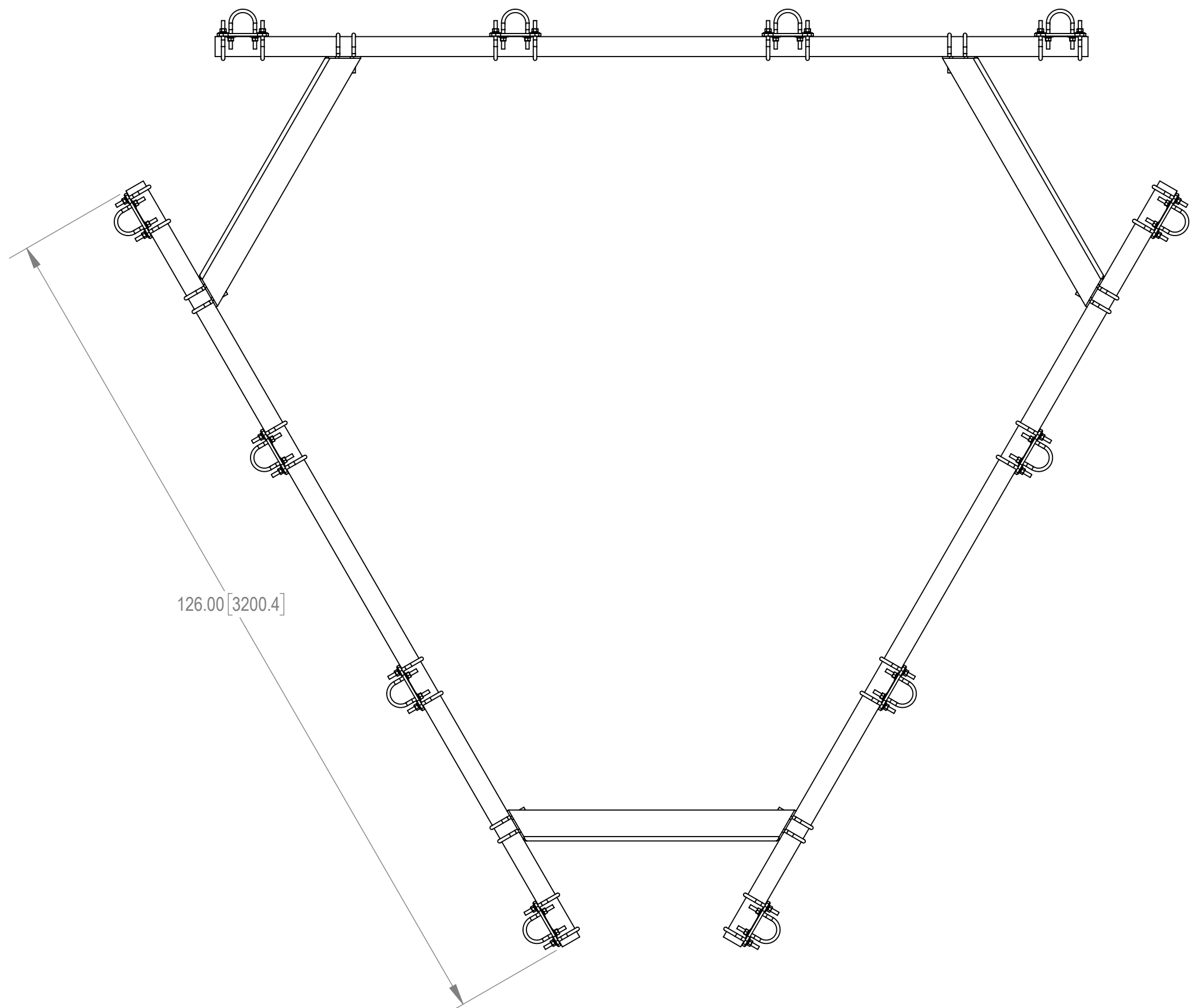
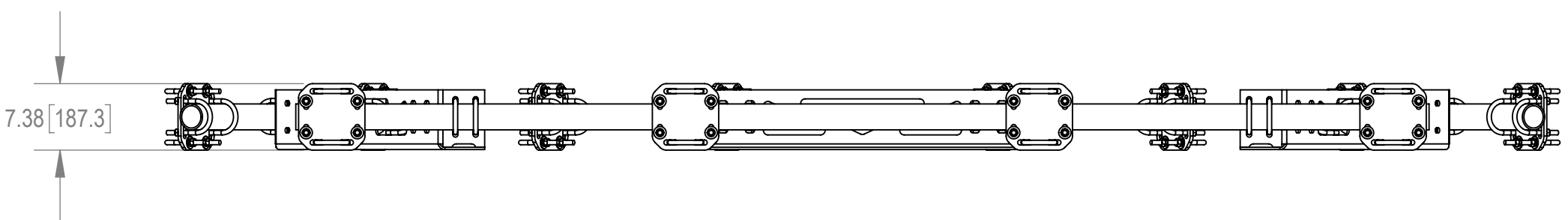
2

1

NOTES:

- 1.0 GENERAL
 - 1.1 ALL METRIC DIMENSIONS ARE IN BRACKETS
 - 1.2 FOR PATENT INFO :<https://www.cs-pat.com>
- 2.0 DESIGN NOTES
 - 2.1 TORQUE TO 45 FT-LBS OR USE TURN OF NUT METHOD
 - 2.2 KIT WILL WORK WITH 12 FOOT MC-PM AND MC-PK PLATFORM KITS AND POLE SIZES FROM 12" OD TO 53" OD.
- 3.0 MANUFACTURING/SPECIAL REQUIRMENTS
- 4.0 TEST
- 5.0 PACKAGING

REVISIONS				
REV.	ECN	DESCRIPTION	DATE	APPROVED
A	8000043841	INITIAL RELEASE	11/16/2020	RKH



ITEM NO.	PART NUMBER	DESCRIPTION	QTY.
1	MT-546-126	2.875" O.D X 126" PIPE	3
2	XP-2525	CROSSOVER PLATE KIT, 2-7/8 OD X 2-7/8 OD	12
3	GUB-4352	1/2" X 3" X 5-1/4" GALV U-BOLT	12
4	MT195801	CORNER WELDMENT SNUB NOSE HANDRAIL	3

DENSITY	0.28	lbs/in ³
MASS	124.53	lbs
VOLUME	441.49	in ³
SURFACE AREA		in ²
HEIGHT	7.4	
LENGTH	152	
WIDTH	152	

COMMSCOPE, INC. OF NORTH CAROLINA

TOLERANCES		SAP MATERIAL MASTER	
1 PLACE .X ± .25	3 PLACE .XXX ± 0.06	MC-HR25X-10-12	
2 PLACE .XX ± 0.12	ANGLES ± 2°		
FINISH GALV A123		MATERIAL A1011, A500	
UNLESS OTHERWISE SPECIFIED DIMENSIONS ARE IN INCHES INTERPRET PER ANSI Y 14.5M-1994	CE	RKH	12/11/2020
	RW	ROGHANSON	12/11/2020
	RV		
	AD	MC1107	12/16/2020
RE	BCROSS	01/05/2021	
ECN 008000043841		SCALE	DOCUMENT NO.
		1:24	MC-HR25X-10-12
SIZE	WORK AREA 24	MODEL	
C		VERSION	STATUS
		01	RE
		DRAWING	
		VERSION	STATUS
		00	RE
		REVISION	A
		SHEET	
		1 OF 2	

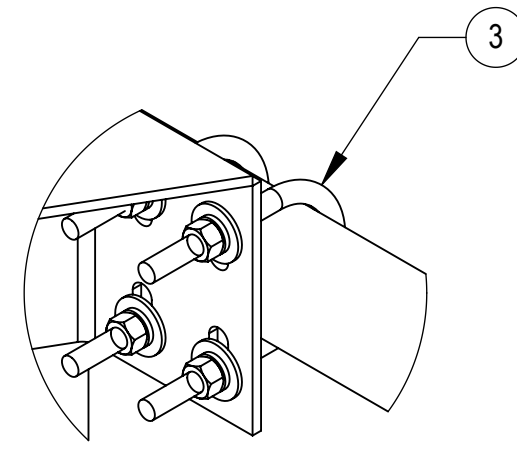
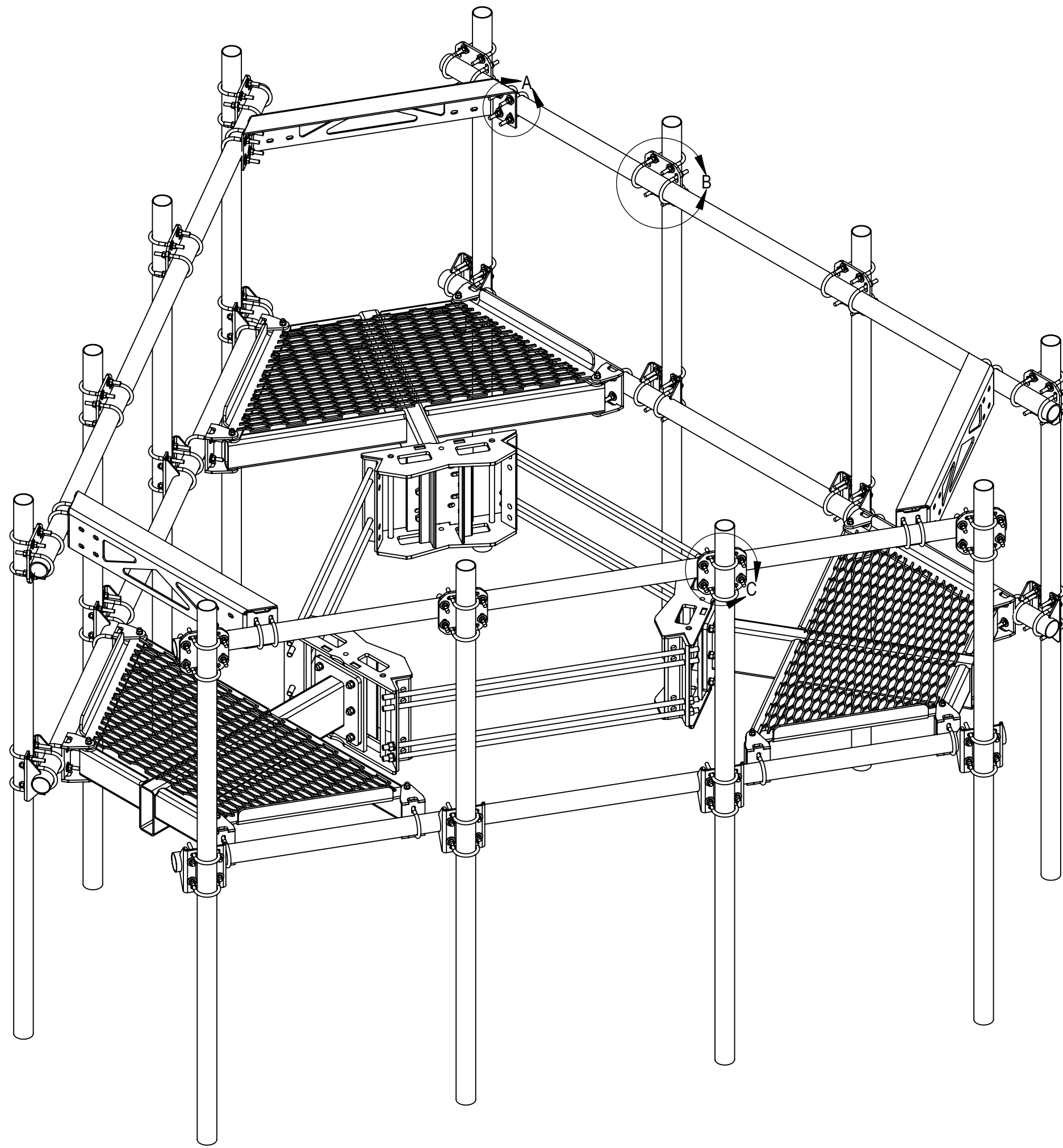
4

3

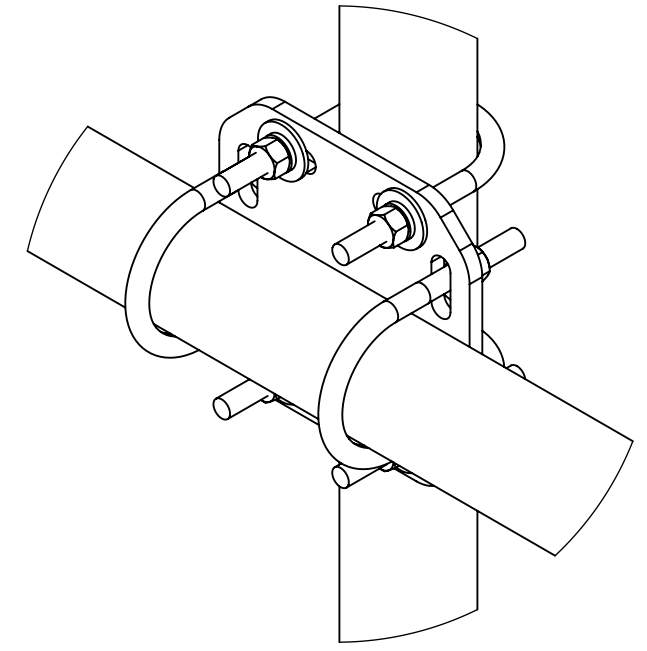
2

1

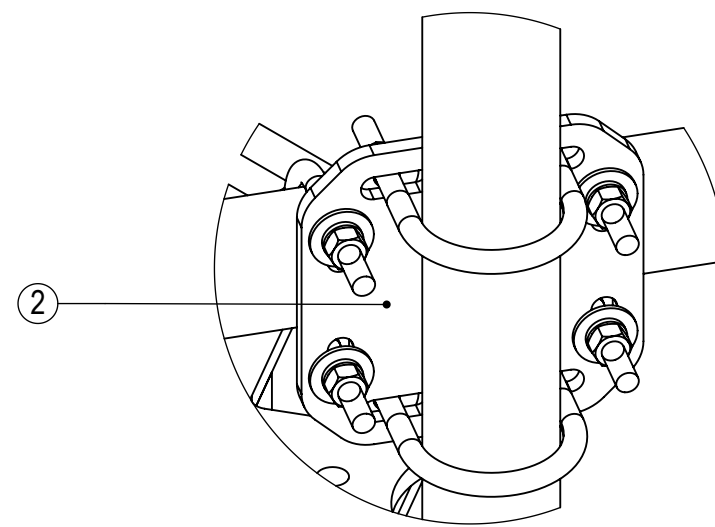
NOTES:



DETAIL A
SCALE 1:4


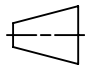


DETAIL B
SCALE 1:4



DETAIL C
SCALE 1:4

IMAGE SHOWS MC-HR25X-10-12 MOUNTED ON AN MC-PM SERIES PLATFORM. THE PLATFORM, VERTICAL PIPES AND RING MOUNT ARE SHOWN FOR MOUNTING CLARITY AND ARE NOT INCLUDED IN THIS KIT. CONFIGURATION SHOWN IS FOR 53" OD POLE MOUNTING.

COMMSCOPE, INC. OF NORTH CAROLINA				
TITLE HR, MONO PLATF, 2-7/8 x 10,12, 2-7/8 HRW				
SIZE C	SCALE 1:32	DOCUMENT NO. MC-HR25X-10-12		
 		DRAWING		SHEET 2 OF 2
		VERSION 00	STATUS RE	

4

3

2

1

D

D

C

C

B

B

A

A