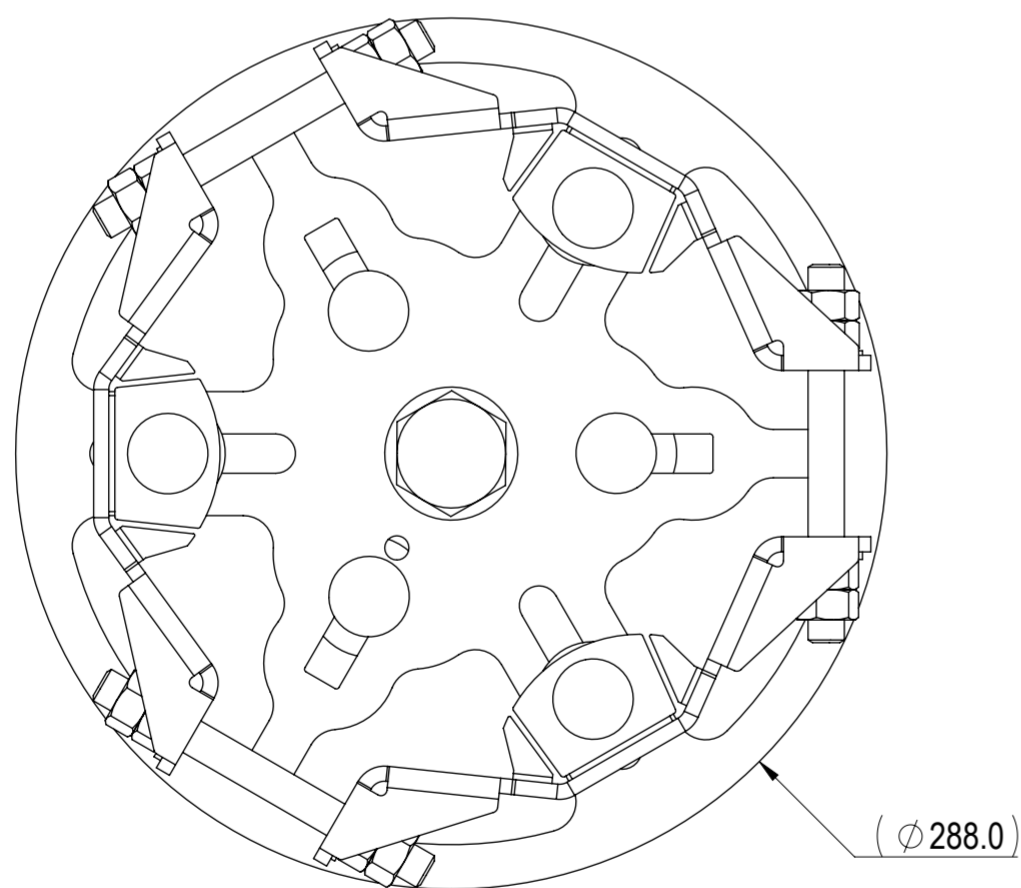
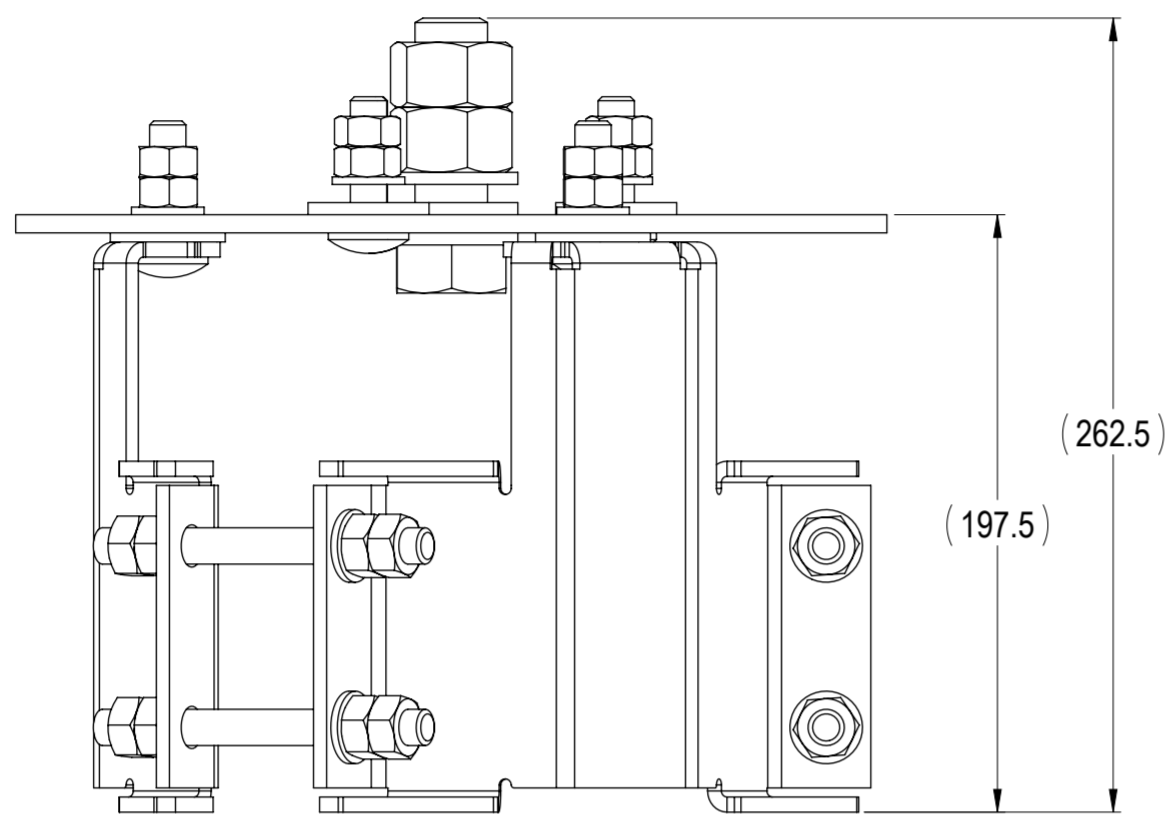
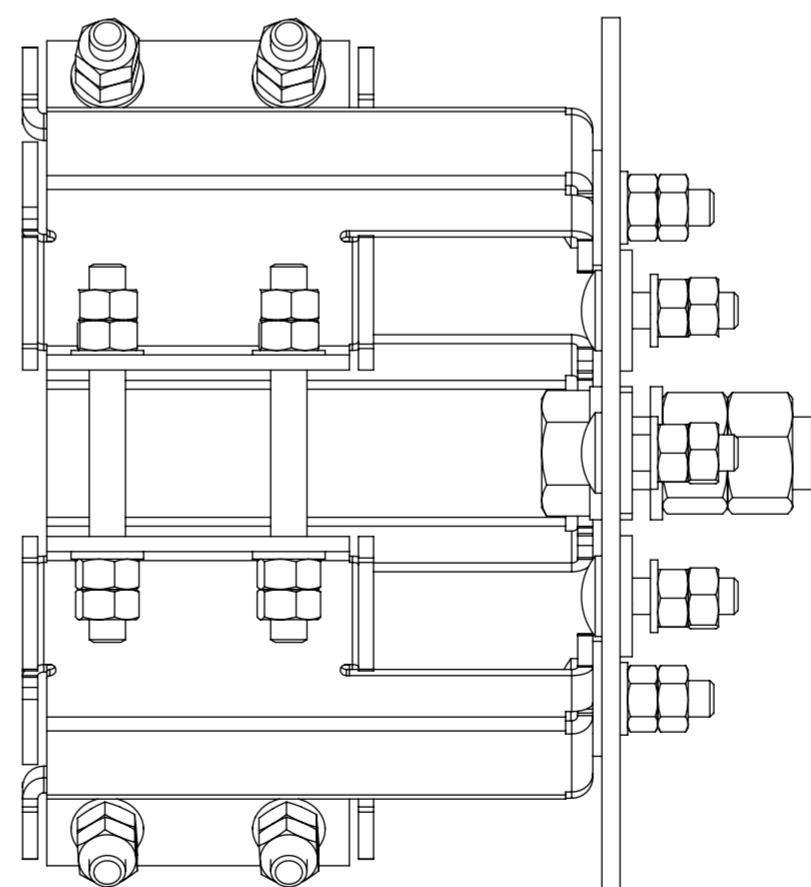


REVISIONS			
REV.	DESCRIPTION	DATE	APPROVED
A	ECR 40152236CMO: RELEASE TO PRODUCTION PER EAO 611174.	07SEP22 WZQ	WSD/CHY



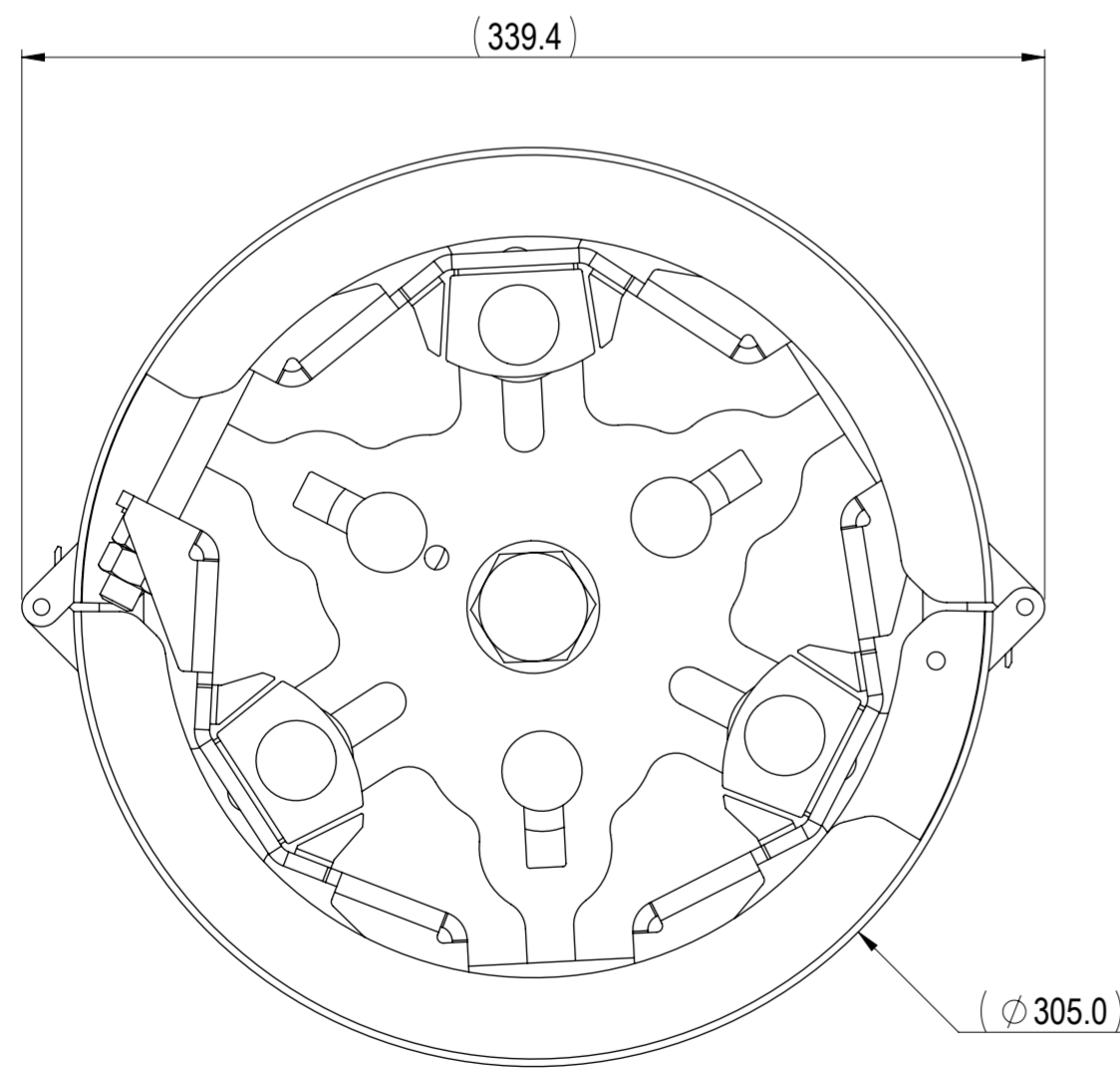
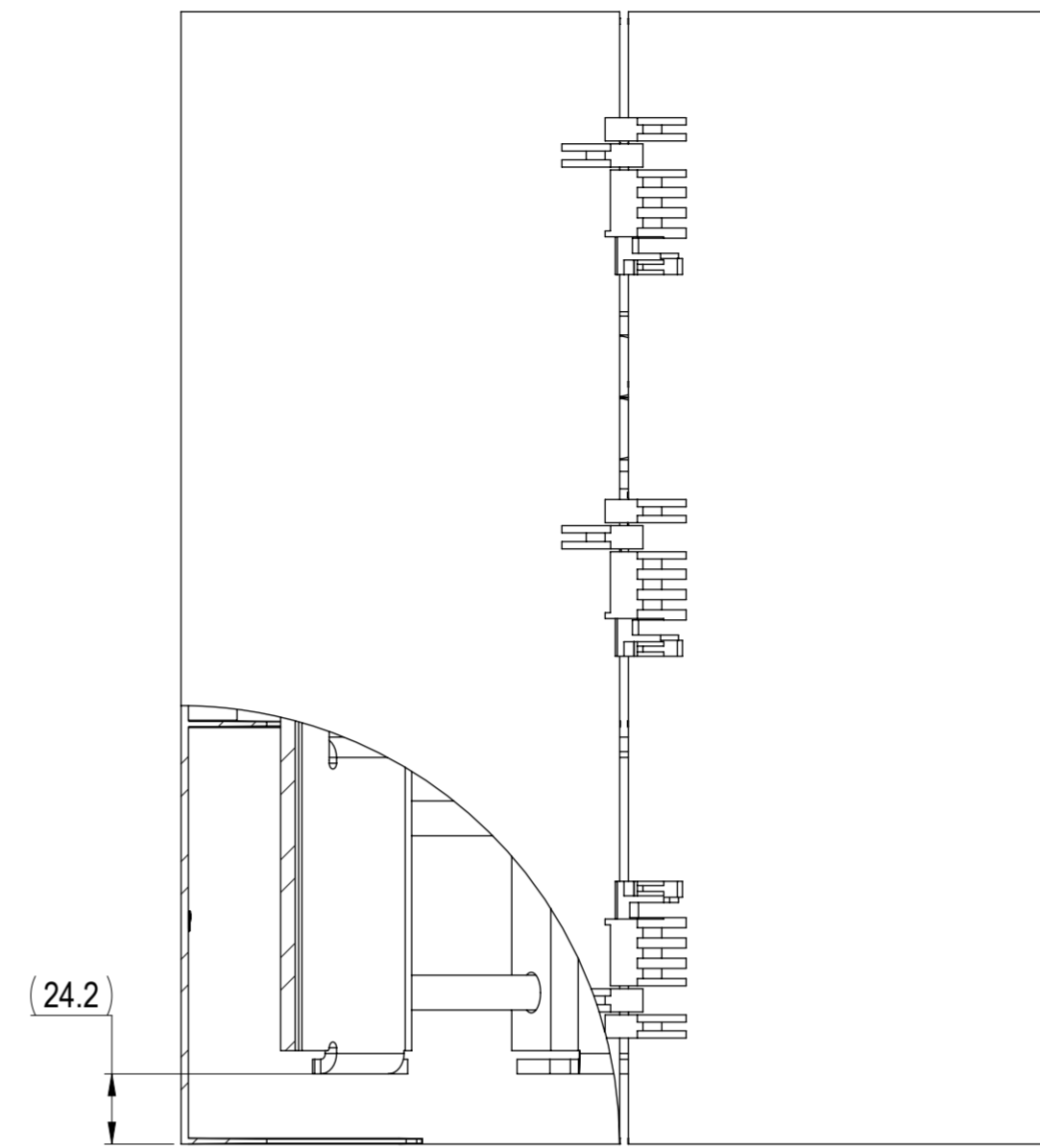
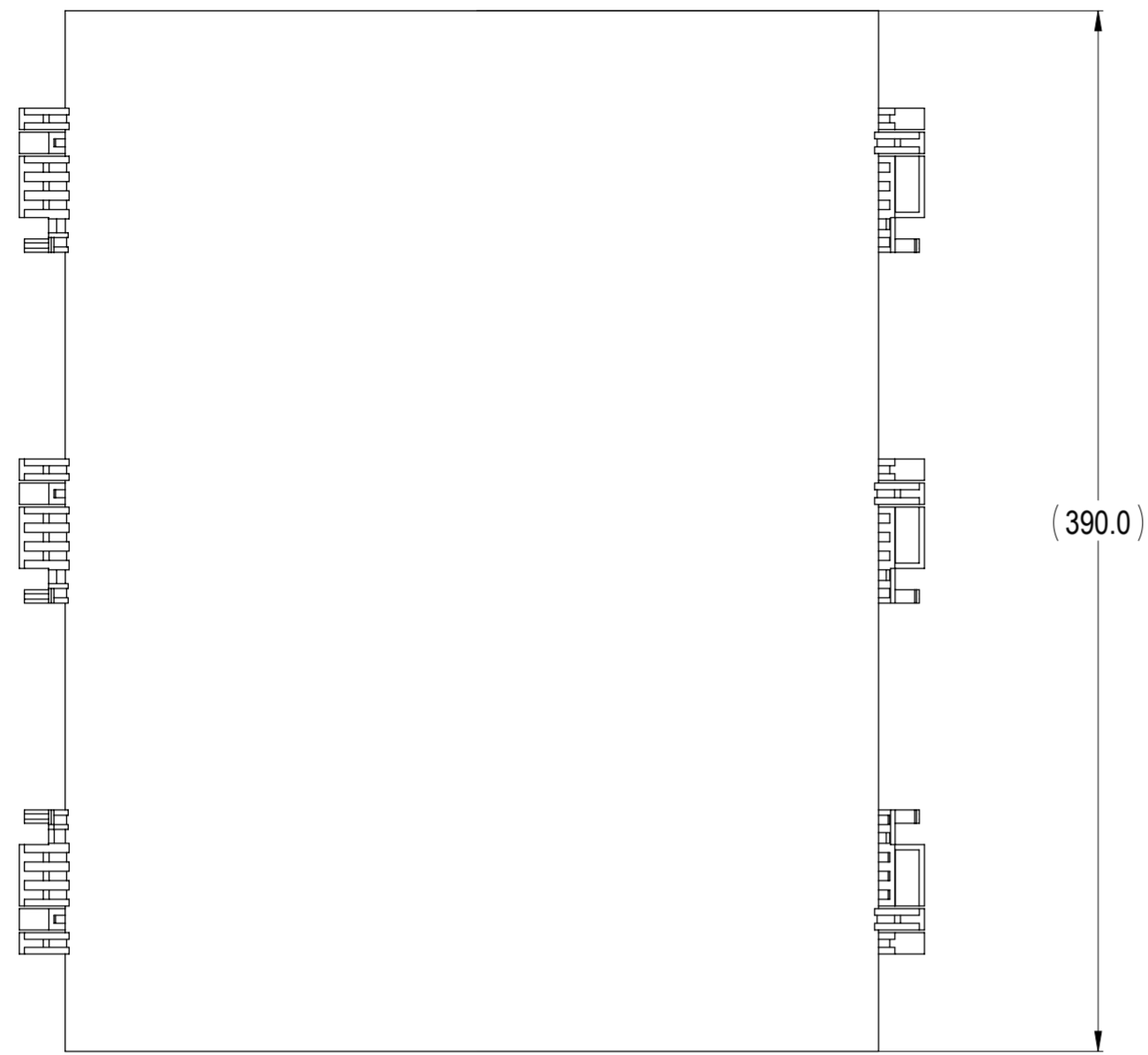
MC-MNT-TOP-305



COMMScope, INC. OF NORTH CAROLINA

TOLERANCES		SAP MATERIAL MASTER	
0 PLACE X ±	2 PLACE .XX ±		
1 PLACE .X ±	ANGLES ±		
FINISH N/A		MATERIAL N/A	
<small>UNLESS OTHERWISE SPECIFIED DIMENSIONS ARE IN MILLIMETERS INTERPRET PER ISO STANDARDS HANDBOOK TECHNICAL DRAWINGS, VOLUMES 1 & 2, THIRD EDITION (2002)</small>		NAME	DATE
		CE WZQ	09/07/2022
		RW ZWANG14	09/08/2022
		AD IWANG1	09/08/2022
		RE QW1003	09/08/2022
ECN 40152236CMO		SCALE	DOCUMENT NO.
		2:5	MC-MNT-TOP-305-L
SIZE		Auth Group	BSA
A2			
HEIGHT		MODEL	
LENGTH		VERSION	STATUS
WIDTH		RE	RE
		DRAWING	
		VERSION	STATUS
		REVISION	REVISION
		A	A
		VERSION	STATUS
		00	RE
		REVISION	REVISION
		A	A
		SHEET	
		1 OF 2	

DENSITY	g/mm ³
MASS	grams
VOLUME	mm ³
SURFACE AREA	mm ²



MC-MNT-TOP-305
WITH SHROUD COVER

COMMSCOPE, INC. OF NORTH CAROLINA				
TITLE PRODUCT DRAWING				
SIZE A2	SCALE 2:5	DOCUMENT NO. MC-MNT-TOP-305-L		
DRAWING				SHEET
VERSION 00	STATUS RE	REVISION A	2 OF 2	