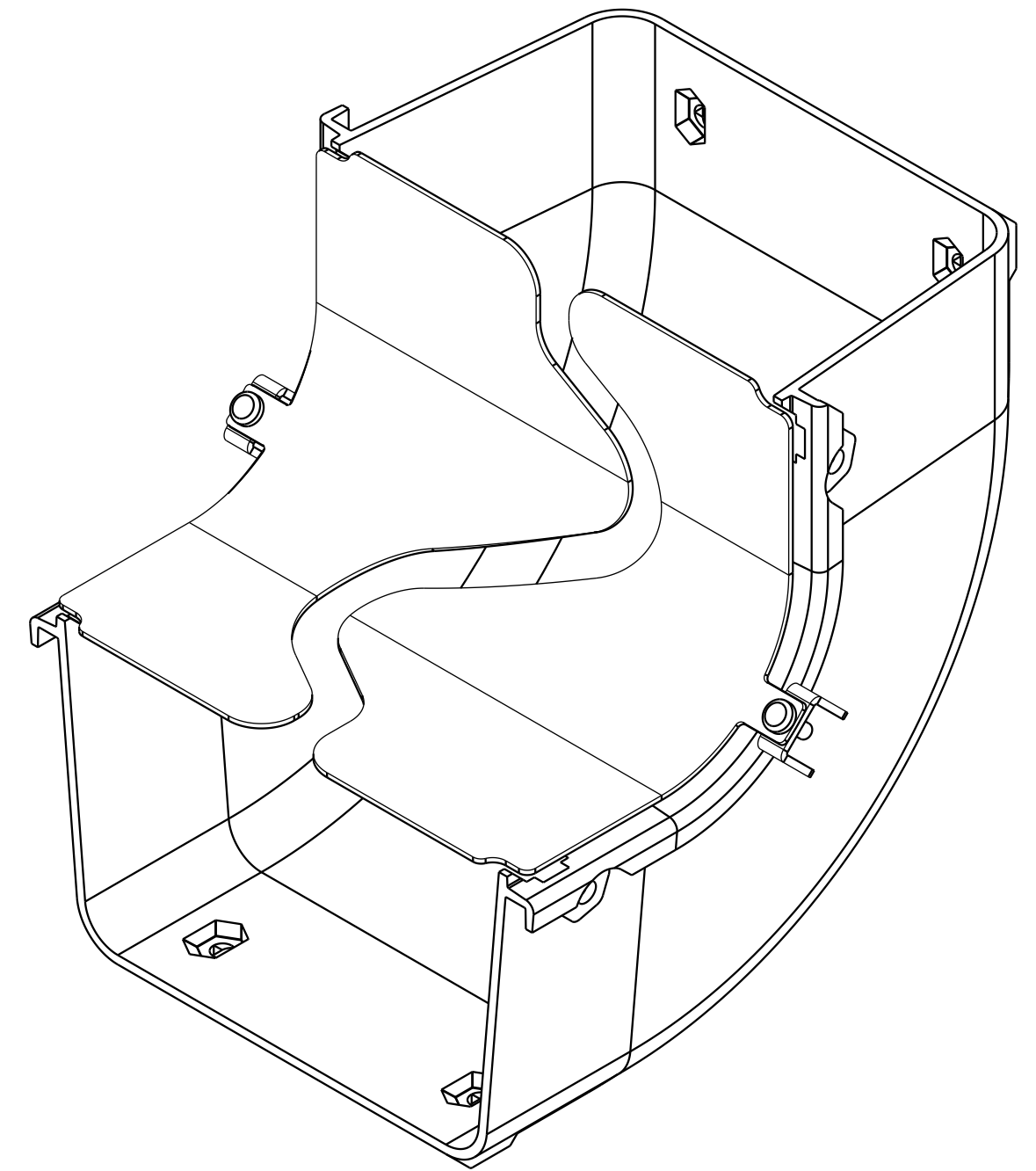
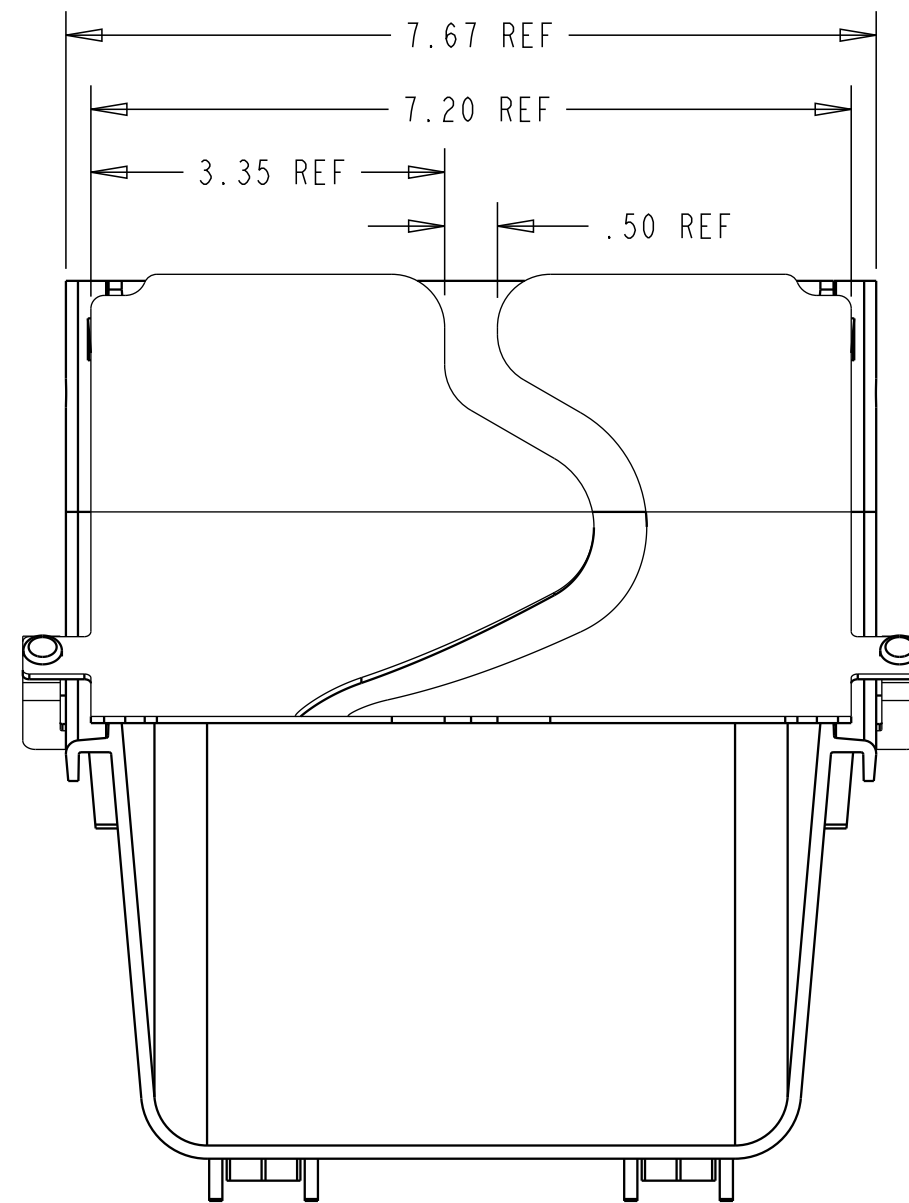
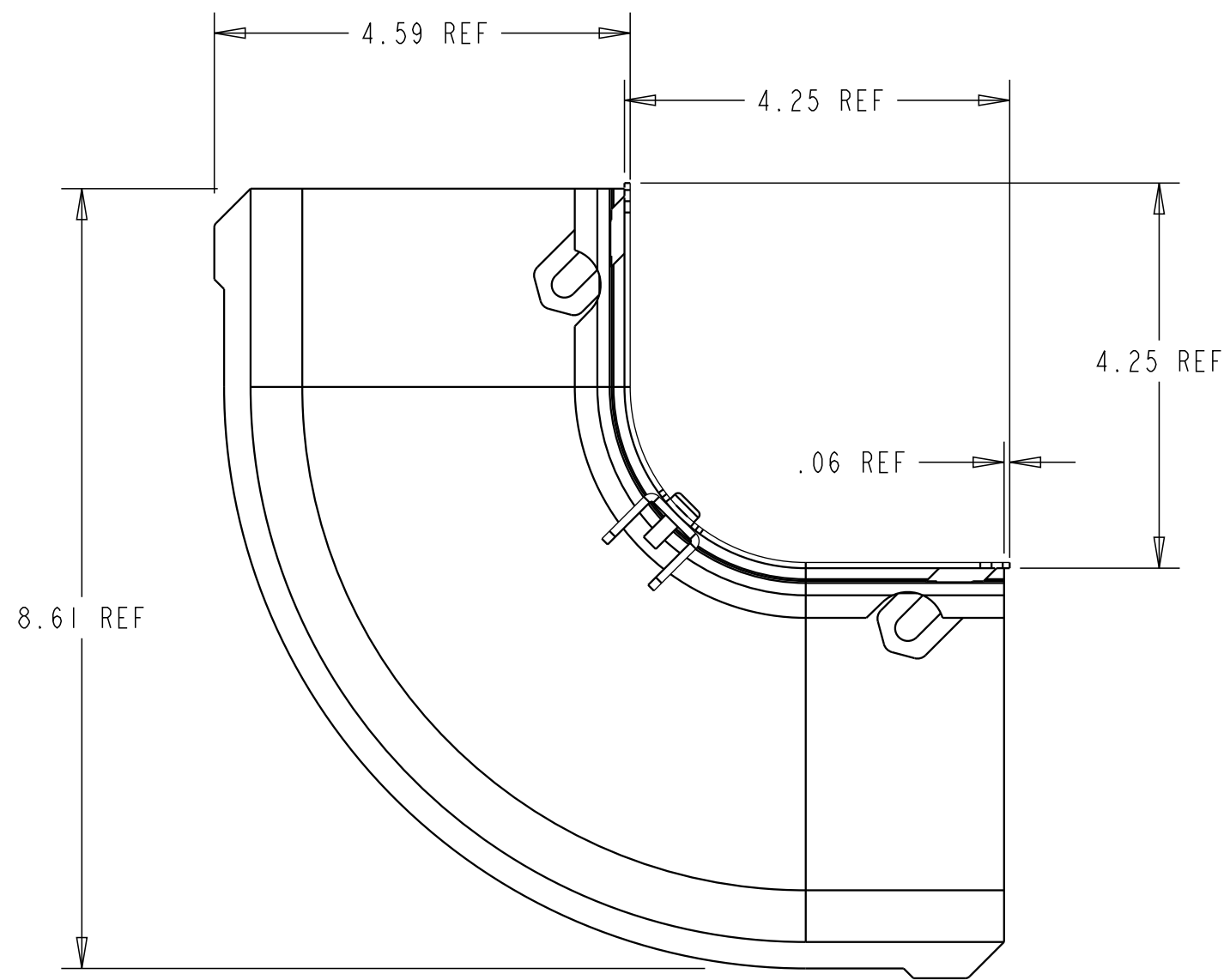


REV	MCO	DWN	DATE
B	20238389	AED	22-ABR-08
C	40031557MCO	OAVL	17-JUN-16



**NOTES:**

- KIT INCLUDES THE FOLLOWING:  
 (1) 4X6 90° UP ELBOW  
 (2) 6" 90° UP ELBOW SPLIT COVERS  
 (2) COVER HOOKS  
 (2) 6-32X.375 SCREWS

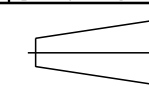
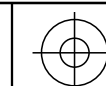
ATTACHING THE SPLIT COVERS TO THE ELBOW:

- USING THE SPLIT COVER TO POSITION THE COVER HOOK, PRESS THE COVER HOOK UNDER THE LIP OF THE ELBOW AS SHOWN.
- ATTACH THE SPLIT COVER TO THE COVER HOOK USING ONE 6-32 SCREW.
- REPEAT STEPS 2 & 3 FOR SECOND COVER.

FGSB-MU9E-B	BLACK
FGS-MU9E-B	YELLOW
<b>CATALOG NUMBER</b>	<b>COLOR</b>

© 2016 COMMSCOPE, INC. CONFIDENTIAL NOTICE: THESE DRAWINGS AND SPECIFICATIONS ARE THE PROPRIETARY PROPERTY OF COMMSCOPE, INC. AND MAY BE USED ONLY FOR THE SPECIFIC PURPOSE AUTHORIZED IN WRITING BY COMMSCOPE, INC.		TITLE 6" X 4" SPLIT COVER 90° UP ELBOW INSTALL DRW	
ALL DIMS AND TOLERANCES ARE INCHES UNLESS OTHERWISE SPECIFIED	.XX:±.02 .XXX:±.010 ANGULAR:±2°	C SIZE	DRAWING NUMBER 1156699_ADC
DO NOT SCALE DRAWING	ENGR: DEREK DERKS DWN: CRAIG ZELASKO	SHT. 1 OF 2	

COMMSCOPE, INC.



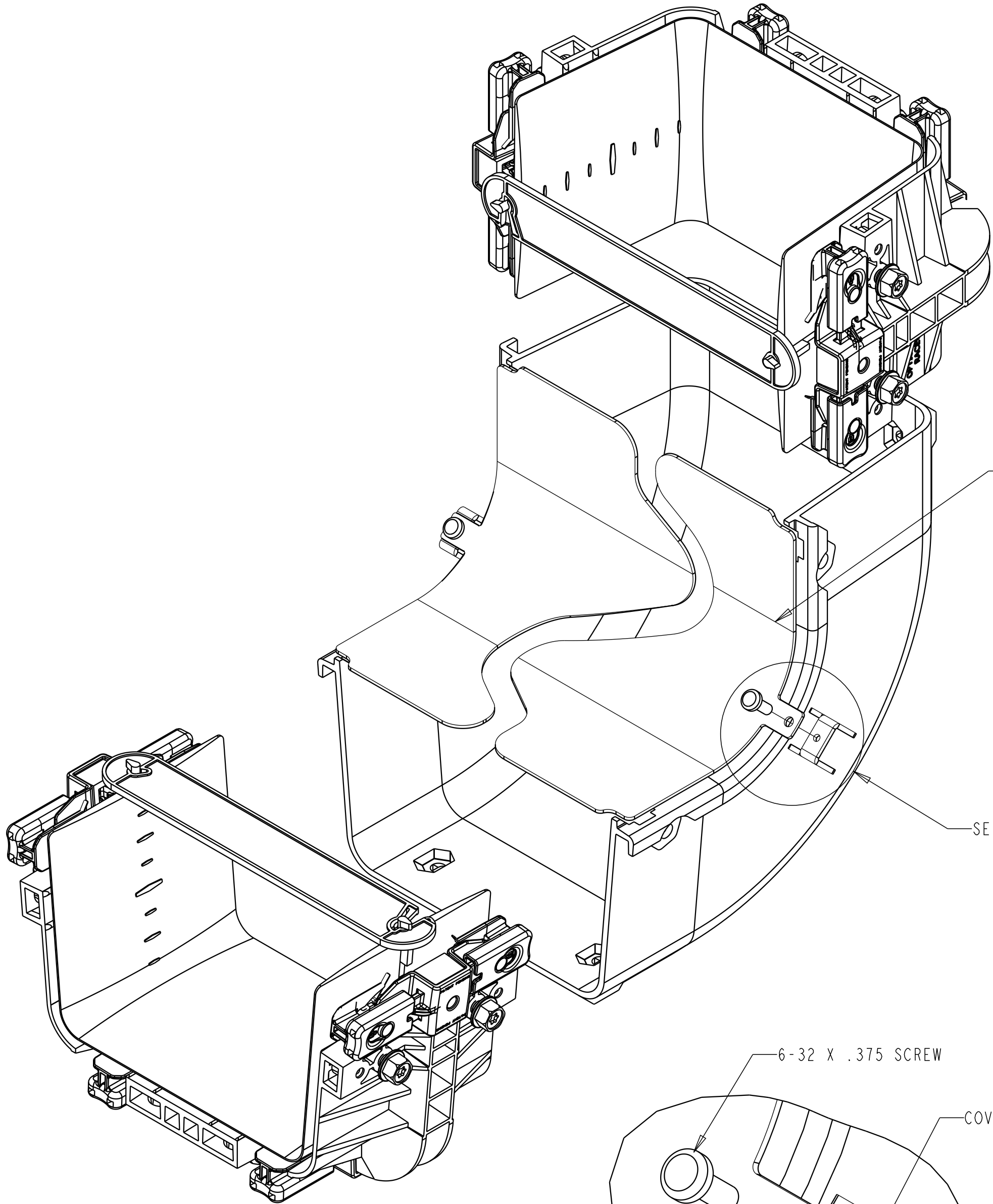
**DIMENSIONS IN INCHES  
THIRD ANGLE PROJECTION**

A

B

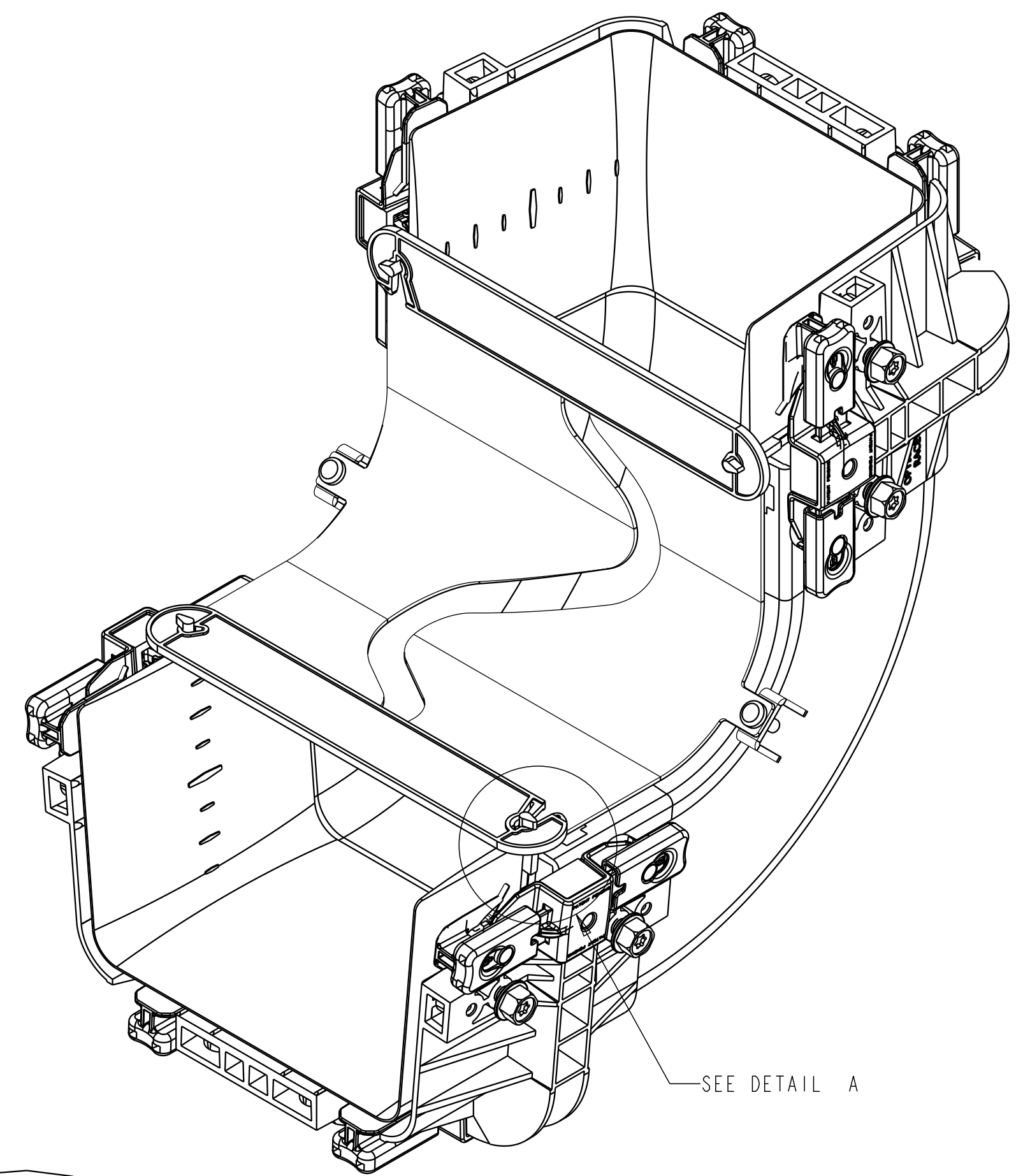
C

D



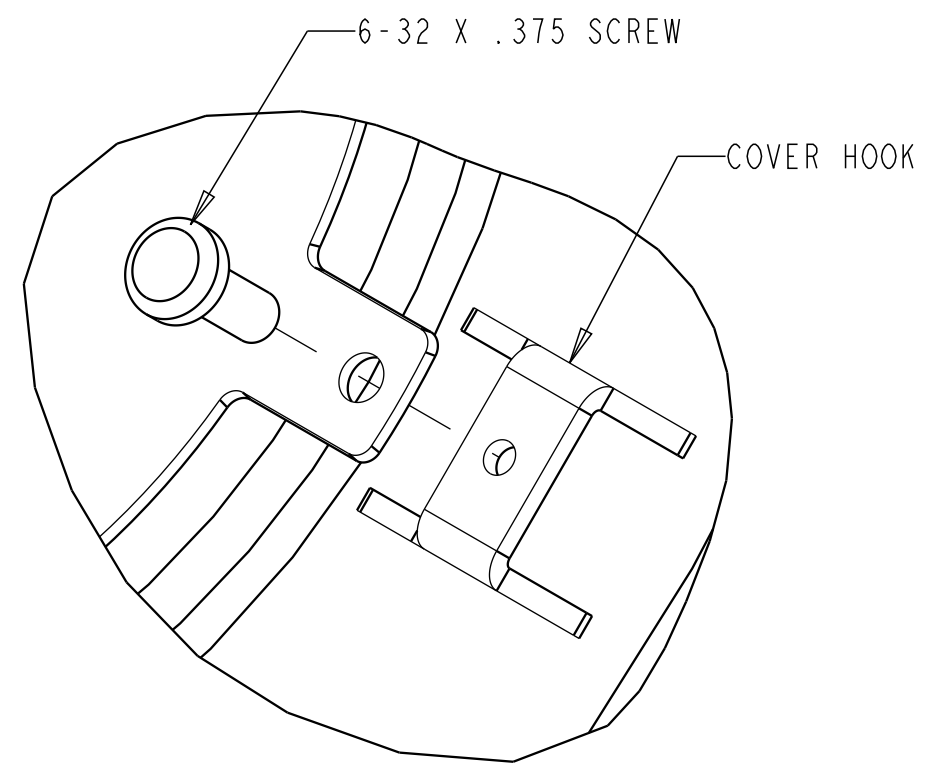
SPLIT COVER

SEE DETAIL B

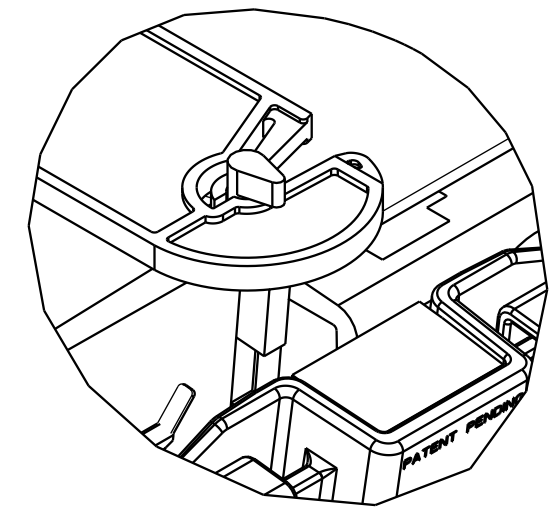


SEE DETAIL A

6" FGS JUNCTION REF



DETAIL B  
SCALE 1.500



DETAIL A  
SCALE 1.250

COMMSCOPE, INC.

© 2016 COMMSCOPE, INC. CONFIDENTIAL  
 NOTICE: THESE DRAWINGS AND SPECIFICATIONS  
 ARE THE PROPRIETARY PROPERTY OF  
 COMMSCOPE, INC. AND MAY BE USED ONLY FOR THE  
 SPECIFIC PURPOSE AUTHORIZED IN WRITING BY  
 COMMSCOPE, INC.

TITLE 6" X 4" SPLIT COVER 90°  
 UP ELBOW INSTALL DRW

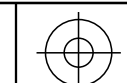
ALL DIMS AND TOLERANCES .XX:±.02  
 ARE INCHES UNLESS .XXX:±.010  
 OTHERWISE SPECIFIED ANGULAR:±2°

C SIZE DRAWING NUMBER 1156699\_ADC C REV

DO NOT SCALE DRAWING

ENGR: DEREK DERKS  
 DWN: CRAIG ZELASKO

SHT. 2 OF 2



DIMENSIONS IN INCHES  
THIRD ANGLE PROJECTION