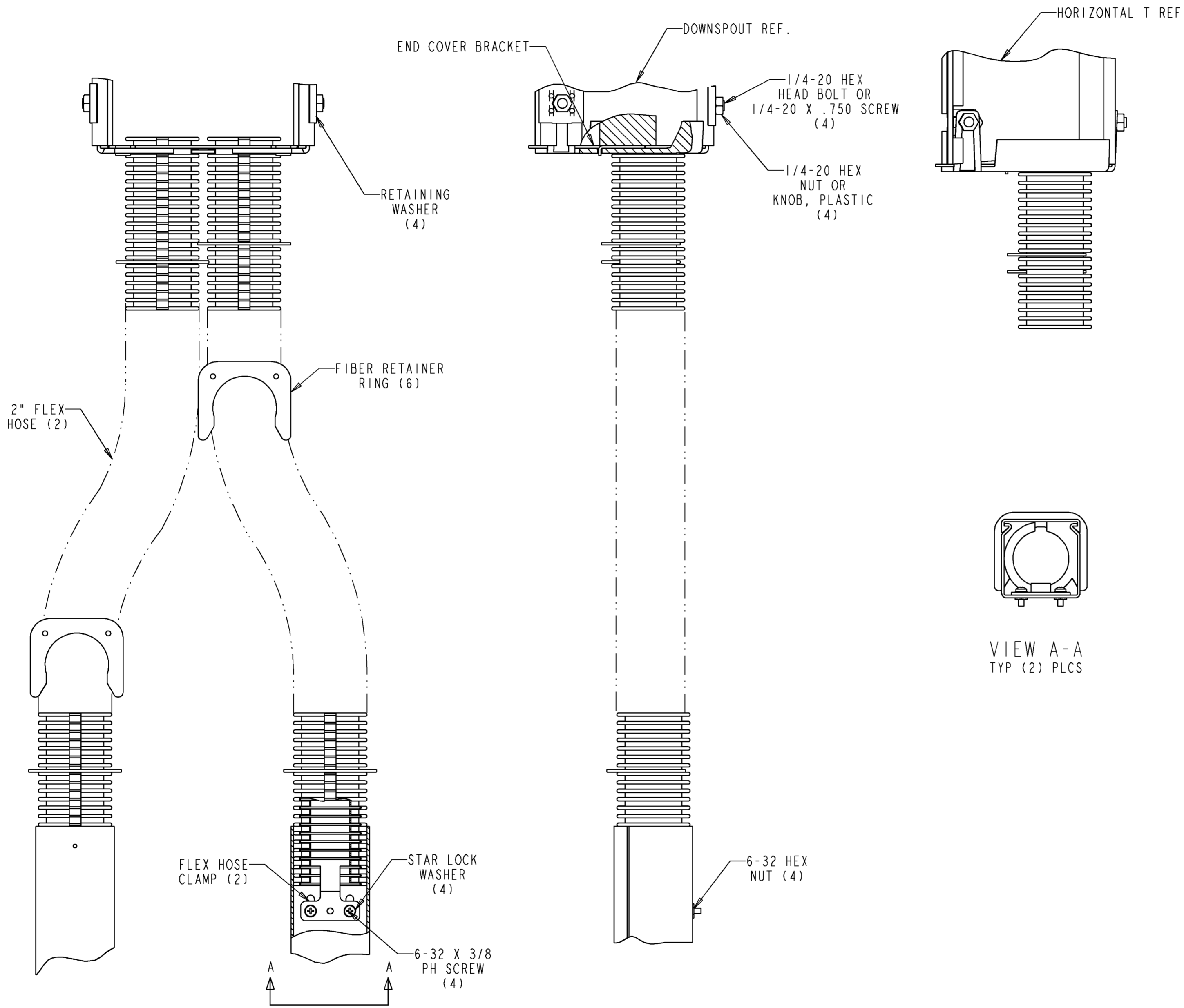
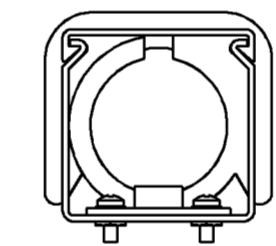


REV	MCO	DWN	DATE
H	20275454	GCC	21-OCT-09
J	20273560	RCR	26-JAN-10



- NOTES:
- ITEMS INCLUDED IN KIT ARE:
 - (1) 4" END COVER
 - (2) (SEE TAB) FLEX HOSES
 - (6) FIBER RETAINER RINGS
 - (2) FLEX HOSE CLAMPS
 - (4) RETAINING WASHERS
 - (4) 1/4-20 HEX HEAD BOLTS
 - (4) 1/4-20 HEX NUTS
 - (4) 1/4-20 X .750 SCREW
 - (4) KNOB, PLASTIC
 - (4) 6-32 X 3/8 PH SCREWS
 - (4) 6-32 HEX NUTS
 - (4) STAR LOCK WASHERS
 - (1) END COVER BRACKET
 - KIT MAY BE USED ON STRAIGHT SECTIONS OR FITTINGS.



VIEW A-A
TYP (2) PLCS

FGSB-KT03-A10F	10 FT	BLACK
FGSB-KT03-A	5 FT	BLACK
FGSO-KT03-A15F	15 FT	ORANGE
FGSO-KT03-A10F	10 FT	ORANGE
FGSS-KT03-A10F	10 FT	SMOKE
FGS-KT03-ANH	NONE	YELLOW
FGS-KT03-A10F	10 FT	YELLOW
FGSO-KT03-A	5 FT	ORANGE
FGS-KT03-A15F	15 FT	YELLOW
FGSB-KT03-A15F	15 FT	BLACK
FGS-KT03-A	5 FT	YELLOW
CATALOG NO.	HOSE LENGTH	COLOR



INFORMATION ON THIS DOCUMENT IS PROPRIETARY TO ADC AND SHALL NOT BE USED, COPIED, REPRODUCED OR DISCLOSED IN WHOLE OR IN PART WITHOUT WRITTEN CONSENT OF ADC.

ALL DIMS AND TOLERANCES ARE INCHES UNLESS OTHERWISE SPECIFIED

.XX:±REF
.XXX:±REF
ANGULAR:±REF

ADC
DO NOT SCALE DRAWING
 ENGR: ED SANSONE
 DWN: ED SANSONE

TITLE: 4" 2 HOSE APTR KIT INSTALLATION DRAWING
 DRAWING NUMBER: 1011630
 SHT. 1 OF 1

**DIMENSIONS IN INCHES
THIRD ANGLE PROJECTION**