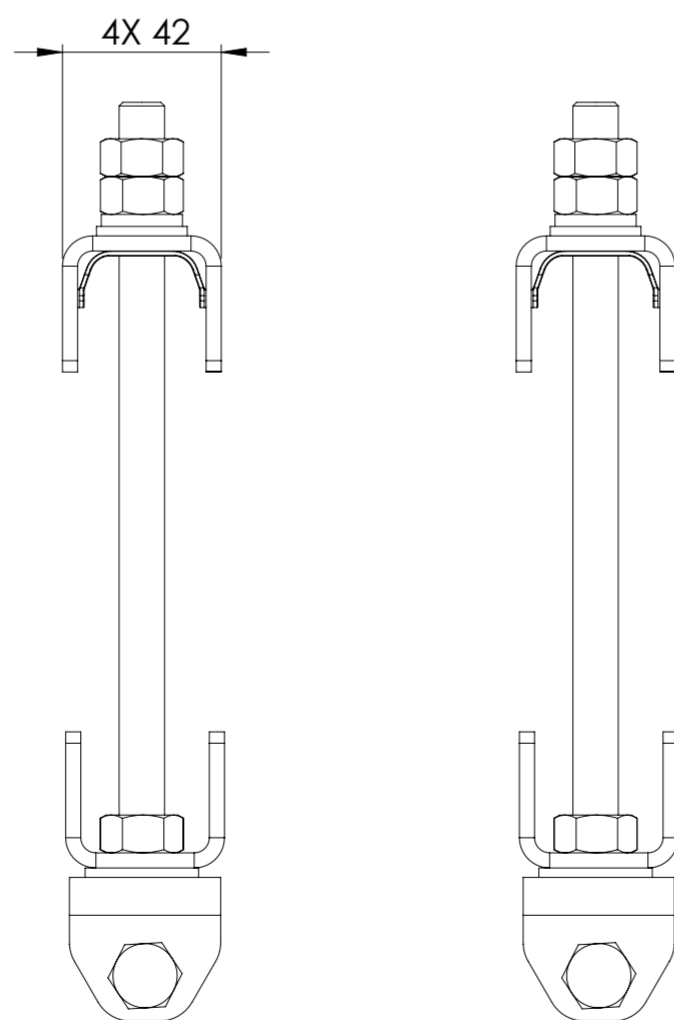
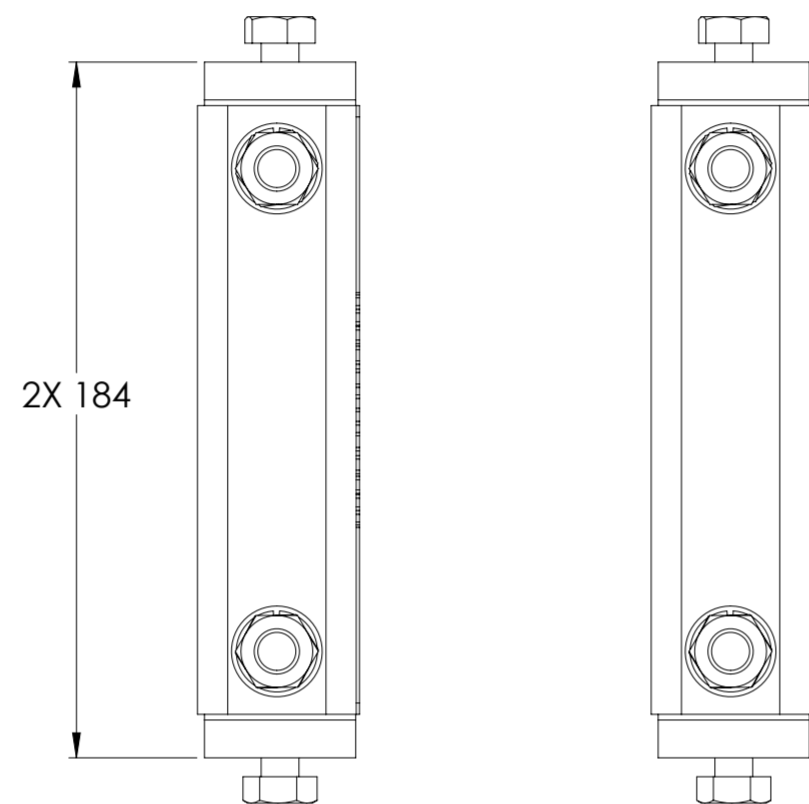
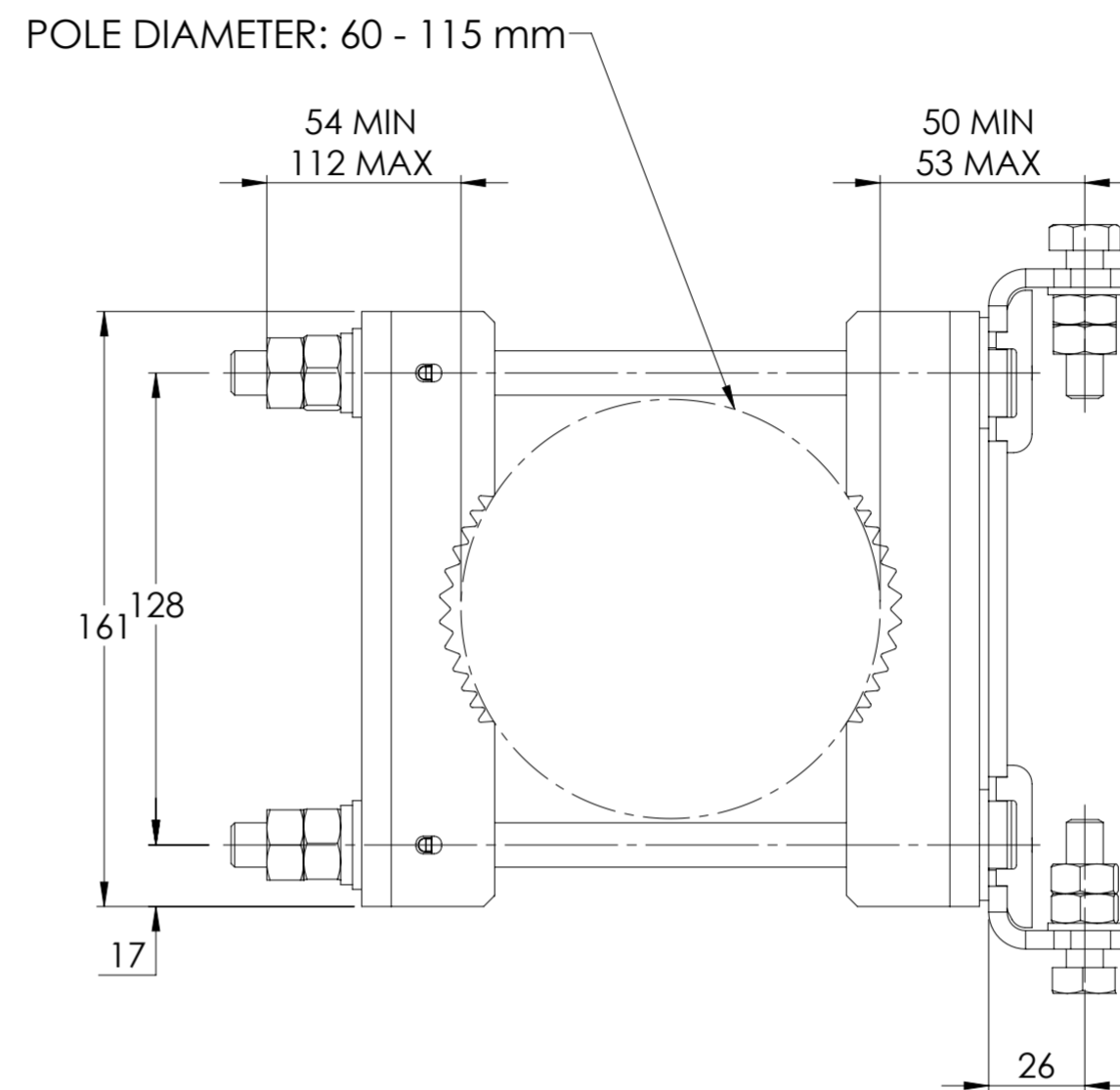


REVISIONS			
REV.	DESCRIPTION	DATE	APPROVED
A	ECR 40156924CMO: RELEASE TO PRODUCTION PER EAO 611593.	15SEP22 NH	RR/AA
B	ECR 40158025CMO: DRAWING UPDATED AS PER LATEST MODEL.	03OCT22 NH	RT/AA
C	ECR 40159240CMO: DRAWING UPDATED AS PER LATEST MODEL.	20OCT22 NH	RT/AA
D	ECR 40159907CMO: DRAWING UPDATED AS PER LATEST MODEL.	01NOV22 NH	RT/AA
E	ECR 40162356CMO: DRAWING UPDATED AS PER LATEST MODEL.	07DEC22 NH	RT/AA



BSAMNT-2F



COMMSCOPE, INC. OF NORTH CAROLINA

TOLERANCES		SAP MATERIAL MASTER																									
0 PLACE X ±	2 PLACE .XX ±																										
1 PLACE .X ±	ANGLES ±																										
FINISH N/A		MATERIAL N/A																									
<small>UNLESS OTHERWISE SPECIFIED DIMENSIONS ARE IN MILLIMETERS INTERPRET PER ISO STANDARDS HANDBOOK TECHNICAL DRAWINGS VOLUMES 1 & 2, THIRD EDITION (2002)</small>		NAME	DATE																								
		CE NH1031	08AUG2022																								
		RW NH1031	12/07/2022																								
		AD RT1047	12/07/2022																								
		RE DL1048	12/08/2022																								
ECN 40162356CMO		TITLE MNT-KIT, FIXED, 2 POINT																									
		SCALE 1:2	DOCUMENT NO. BSAMNT-2F-L																								
DENSITY	g/mm ³	<table border="1" style="width: 100%; text-align: center;"> <tr> <td>SIZE</td> <td>Auth Group</td> <td>BSA</td> <td>MODEL</td> <td colspan="3">DRAWING</td> <td>SHEET</td> </tr> <tr> <td>LENGTH</td> <td></td> <td></td> <td>VERSION</td> <td>STATUS</td> <td>REVISION</td> <td>VERSION</td> <td>STATUS</td> </tr> <tr> <td>WIDTH</td> <td></td> <td></td> <td>04</td> <td>RE</td> <td>E</td> <td>04</td> <td>RE</td> </tr> </table>		SIZE	Auth Group	BSA	MODEL	DRAWING			SHEET	LENGTH			VERSION	STATUS	REVISION	VERSION	STATUS	WIDTH			04	RE	E	04	RE
SIZE	Auth Group			BSA	MODEL	DRAWING			SHEET																		
LENGTH					VERSION	STATUS	REVISION	VERSION	STATUS																		
WIDTH			04	RE	E	04	RE																				
MASS	grams																										
VOLUME	mm ³																										
SURFACE AREA	mm ²																										
		<table border="1" style="width: 100%; text-align: center;"> <tr> <td>HEIGHT</td> <td>MODEL</td> <td colspan="3">DRAWING</td> </tr> <tr> <td>LENGTH</td> <td>VERSION</td> <td>STATUS</td> <td>REVISION</td> <td>VERSION</td> </tr> <tr> <td>WIDTH</td> <td>04</td> <td>RE</td> <td>E</td> <td>04</td> </tr> </table>		HEIGHT	MODEL	DRAWING			LENGTH	VERSION	STATUS	REVISION	VERSION	WIDTH	04	RE	E	04									
HEIGHT	MODEL	DRAWING																									
LENGTH	VERSION	STATUS	REVISION	VERSION																							
WIDTH	04	RE	E	04																							