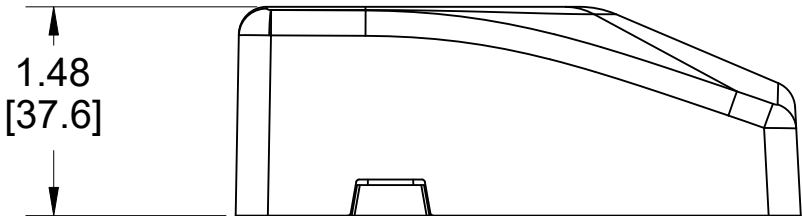
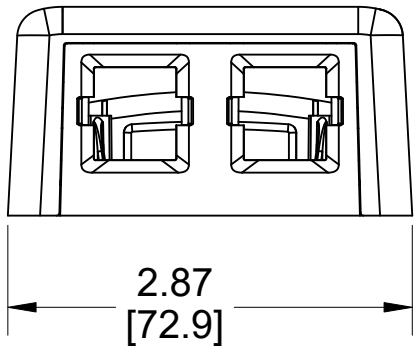
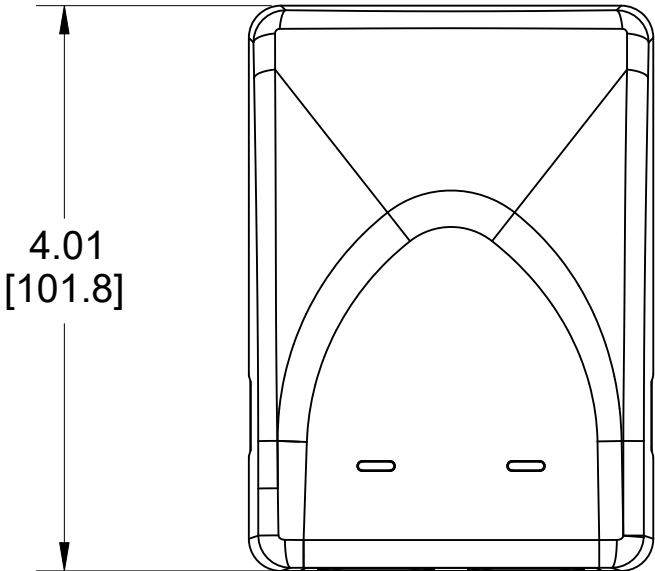


MATERIAL ID	DESCRIPTION
760254557	SMB-2P-448-PLENUM

NOTES:

- SEE COMMSCOPE CATALOG FOR PART NUMBER SUFFIXES TO INDICATE COLOR/PKG.
- SEE COMMSCOPE CATALOG FOR COMPLETE LIST OF PARTS RELATED TO THE USE OF THIS PRODUCT.
- DIMENSIONS IN PARENTHESES ARE IN METRIC[MM].
- PART INCLUDES:
 - (1) 2 PORT BASE FOR SMB, LT.ALMOND
 - (1) 2 PORT COVER FOR SMB, LT.ALMOND
 - (3) TAPE
 - (2) SCREW



SMB-2P-448-PLENUM	
COMMSCOPE, INC OF NORTH CAROLINA	
DRAWN BY JW	DWG NO 760254557
DATE 09/01/2022	

REV	DATE	ECR	DESCRIPTION	APPROVED BY
1	09/01/22		INITIAL ISSUE	FW