



FOSC650 Fiber Optic Splice Closure, no tray, no gel sealing, includes standard basket, 12 grounding lugs and valve, Sealing and cover for unused ports ordered separately.

- Single-ended base with four-latches dome design and reliable cable attachment system
- There are 3 cable segments: 2 for use with the small gel seal blocks/entrance ports and 1 for use with the large gel seal blocks/entrance ports
- Fully removable base for easy cable access during installation and provisioning
- Superior gel sealing technology incorporated in interchangeable and fully wrap around gel segments
- Compatible with a wide range of fiber cable sizes and types

## Product Classification

<b>Regional Availability</b>	Latin America   North America
<b>Product Type</b>	Single-ended, square fiber closure
<b>Product Brand</b>	FOSC®

## General Specifications

<b>Cable Entry Drop Port Style</b>	Gel block
<b>Cable Entry Main Port Style</b>	Gel block
<b>Cable Ports Quantity, total</b>	3 multi-out ports (12 cables)
<b>Cable Sealing Type</b>	Compressed gel
<b>Closure Sealing Type</b>	Over-centered latches with rubber gasket
<b>Closure Style</b>	Single-ended
<b>Color</b>	Black
<b>Flash Test Valve</b>	Pre-installed
<b>Ground Feed-through</b>	None
<b>Mounting</b>	Pole   Strand   Wall
<b>Network Area Type</b>	Feeder   Trunk
<b>Splice Tray Included, quantity</b>	0
<b>Splice Tray Type Included</b>	No trays
<b>Splicing Capacity, Mass Fusion, maximum</b>	6912
<b>Splicing Capacity, Single Fusion, maximum</b>	3456
<b>Splicing Capacity, Single Splice, 12 fibers, maximum</b>	3456

# 760251859 | FOSC650-NNN-NT-0-S12V

**Splicing Capacity, Single Splice, 6 fibers, maximum**

180

**Splicing Type, Supported**

Mass fusion | Single fusion

## Dimensions

**Height**

345.44 mm | 13.6 in

**Width**

345.44 mm | 13.6 in

**Length**

900.43 mm | 35.45 in

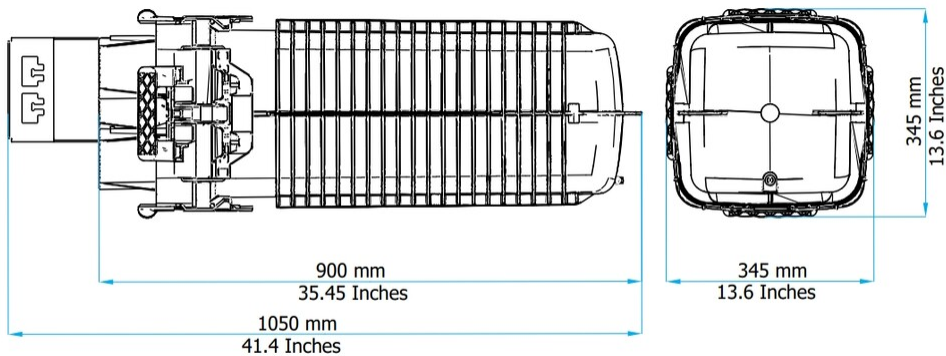
**Length, with trigger**

1,050.29 mm | 41.35 in

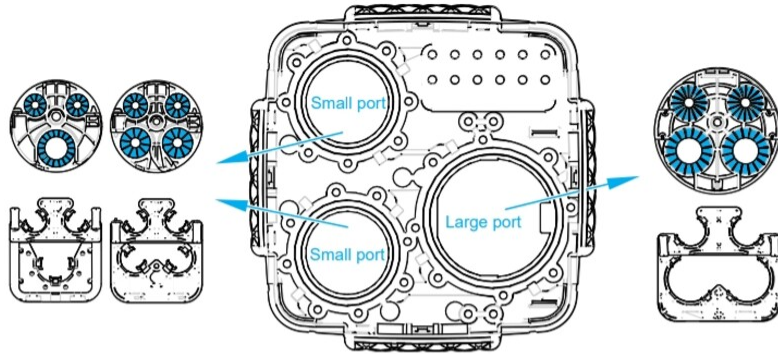
**Main Cable Diameter, maximum**




40.64 mm | 1.6 in

## Dimension Drawing



## Port Configuration



Gel Seals	Upper -Small Ports-		Lower -Large Ports-	
	# Ports	Cable Outside Diameter Min. - Max.	# Ports	Cable Outside Diameter Min. - Max.
 Small 3-way	2	8 - 20 mm 0.32 - 0.79 inch	1	25 - 35 mm 1.0 - 1.38 inches
 Small 4-way	2	8 - 22 mm 0.32 - 0.87 inch	2	10 - 28 mm 0.39 - 1.1 inches
 Large 4-way	2	18 - 25 mm 0.7 - 1.0 inch	2	25 - 40 mm 1.0 - 1.6 inches

## Material Specifications

**Material Type**

Rugged polymer

## Environmental Specifications

**Environmental Space**

Below ground | Buried

**Qualification Standards**

IEC 60529, IP68 + 5 m waterhead

## Packaging and Weights

**Packaging quantity**

1

**Packaging Type**

Box | Carton

**Weight, net**

11.79 kg | 25.992 lb

## Regulatory Compliance/Certifications

**Agency**

ISO 9001:2015

**Classification**

Designed, manufactured and/or distributed under this quality management system