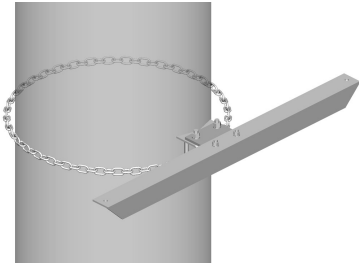


CM-SL60



Light Duty Stiff Arm Mount, one 16 ft chain

OBSOLETE

Product Classification

Product Type Stiff arm mount

General Specifications

Chains, quantity 1

Dimensions

Height 152.4 mm | 6 in

Width 203.2 mm | 8 in

Length 1,168.4 mm | 46 in

Chain Length 4,902.2 mm | 193 in

Mounting Diameter, maximum 1524 mm | 60 in

Mounting Diameter, minimum 203.2 mm | 8 in

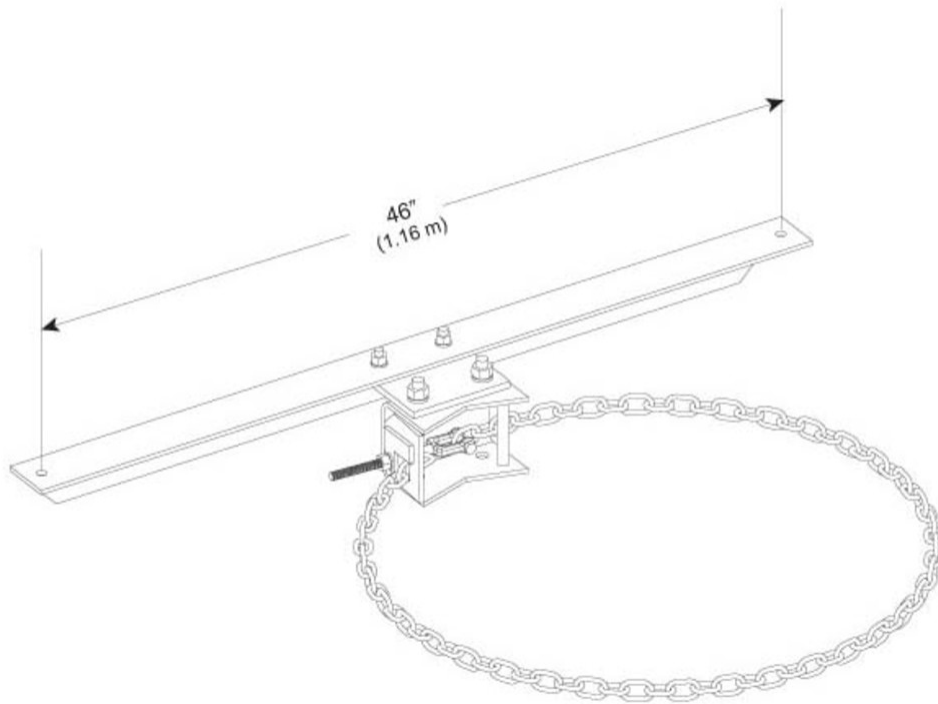
Stand-off Distance 1,219.2 mm | 48 in

Mounting Circumference, maximum 4,775.2 mm | 188 in

Mounting Circumference, minimum 635 mm | 25 in

CM-SL60

Outline Drawing



Material Specifications

Material Type Hot dip galvanized steel

Packaging and Weights

Included Chains | Stiff arm attachment

Packaging quantity 1

Weight, net 19.5 kg | 42.99 lb

Regulatory Compliance/Certifications

Agency

ISO 9001:2015

Classification

Designed, manufactured and/or distributed under this quality management system

