

4

3

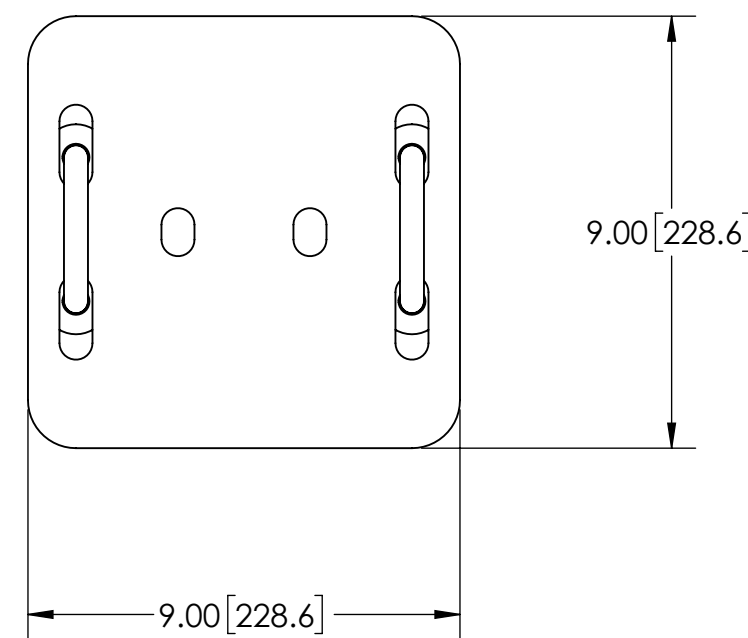
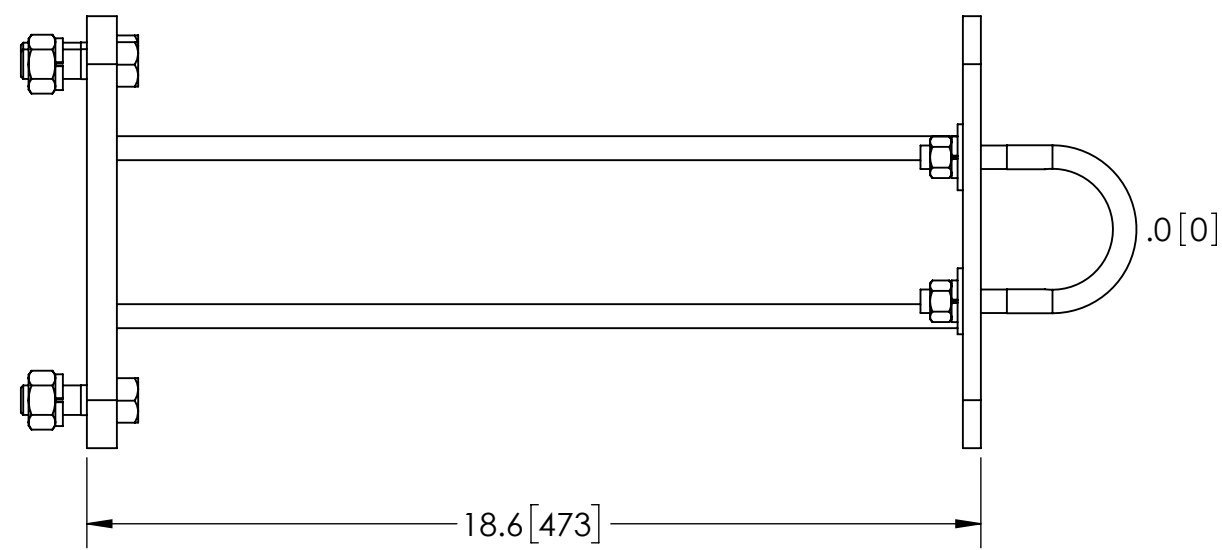
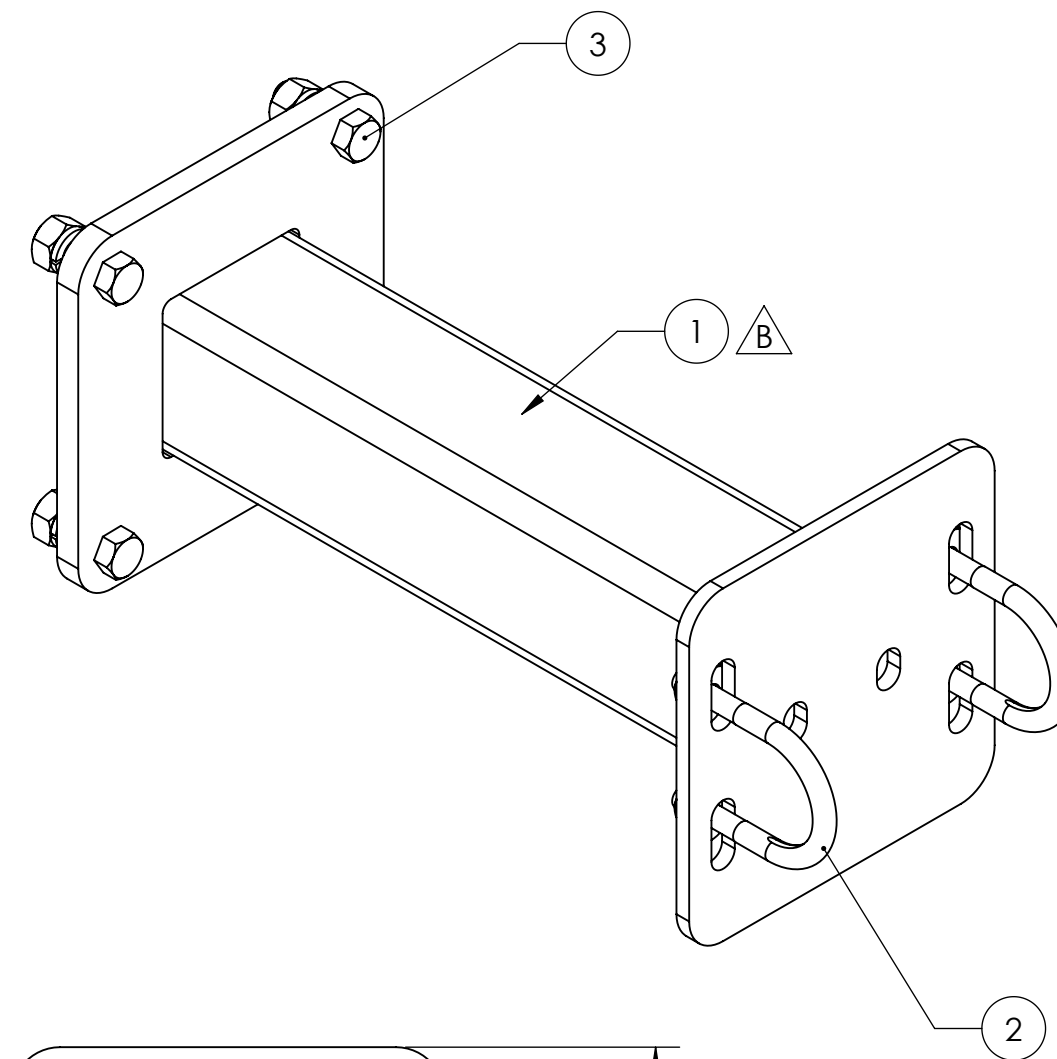
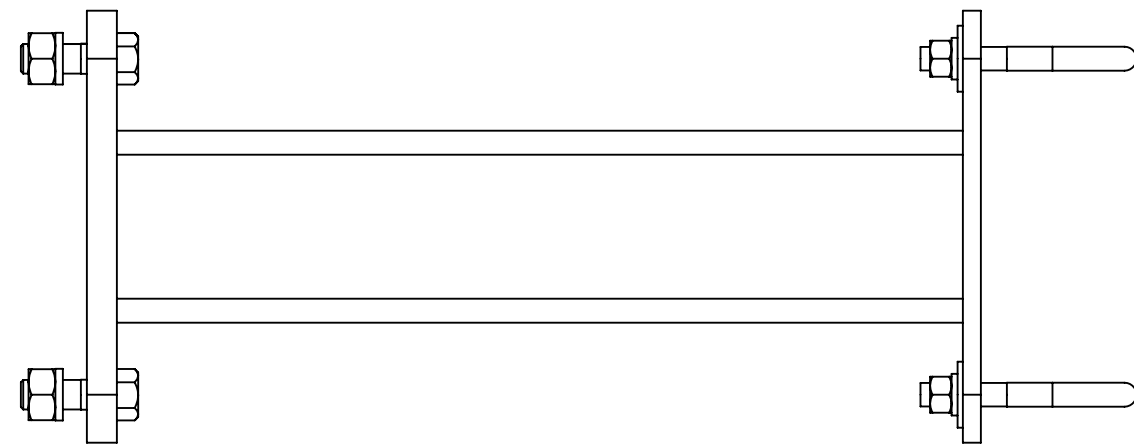
2

1

NOTES:

- 1.0 GENERAL
  - 1.1 ALL METRIC DIMENSIONS ARE IN BRACKETS
  - 1.2 FOR PATENT INFO :<https://www.cs-pat.com>
- 2.0 DESIGN NOTES
- 3.0 MANUFACTURING/SPECIAL REQUIRMENTS
- 4.0 TEST
- 5.0 PACKAGING

REVISIONS				
REV.	ECN	DESCRIPTION	BY	DATE
A		INITIAL RELEASE	MSM	11/20/09
B	8000042590	UPDATED MCSA18B01 TO REVISION "C"	RKH	8/31/2020



### COMMSCOPE, INC. OF NORTH CAROLINA

TOLERANCES		SAP MATERIAL MASTER	
0 PLACE	X ± .25	2 PLACE	.XX ± 0.06
1 PLACE	.X ± 0.12	ANGLES	± 2°
FINISH		MATERIAL	
UNLESS OTHERWISE SPECIFIED DIMENSIONS ARE IN INCHES INTERPRET PER ANSI Y 14.5M-1994		MC-SA18-B	
CE	NAME	DATE	TITLE
RW	ROGHANSON	09/21/2020	18" ANTENNA MOUNT STANDOFF KIT
RV	BCAMPBELLCON	10/16/2020	
AD	BCROSS	10/19/2020	
RE	ECN 008000042590		
SCALE		DOCUMENT NO.	
1:4		MC-SA18-B	
SIZE	WORK AREA	MODEL	
C	24	DRAWING	
VERSION	STATUS	REVISION	VERSION
01	RE		01
SHEET		REVISION	
1 OF 1			

ITEM	PART NO.	DESCRIPTION	QTY.	WEIGHT
1	MCSA18B01	18" Support Arm Standoff	1	37.18 LBS
2	GUB-4240	1/2" X 2-1/2" X 4" GALV U-BOLT	2	0.56 LBS
3	GB-0520A	5/8" X 2" GALV BOLT KIT (A325)	4	0.26 LBS

DENSITY	lbs/in <sup>3</sup>
MASS	lbs
VOLUME	in <sup>3</sup>
SURFACE AREA	in <sup>2</sup>
HEIGHT	
LENGTH	
WIDTH	