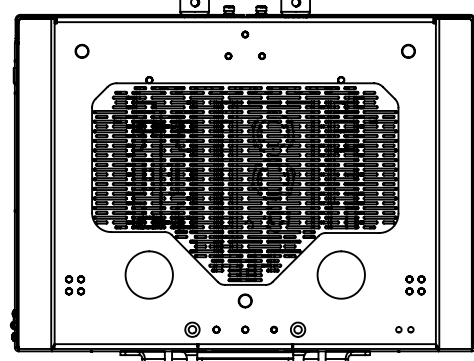
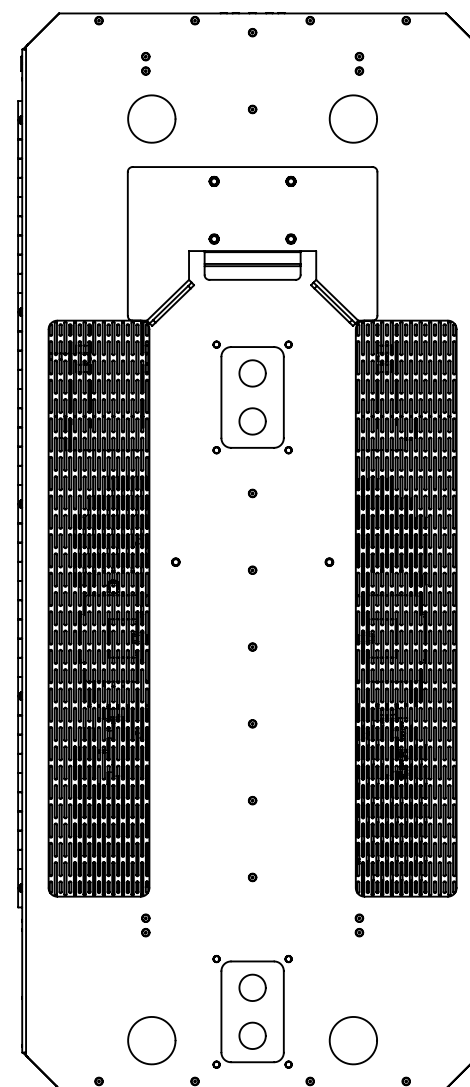
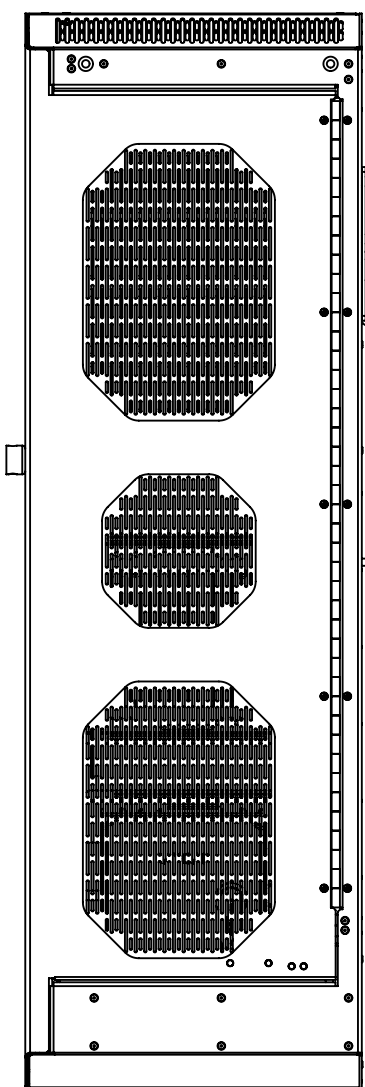
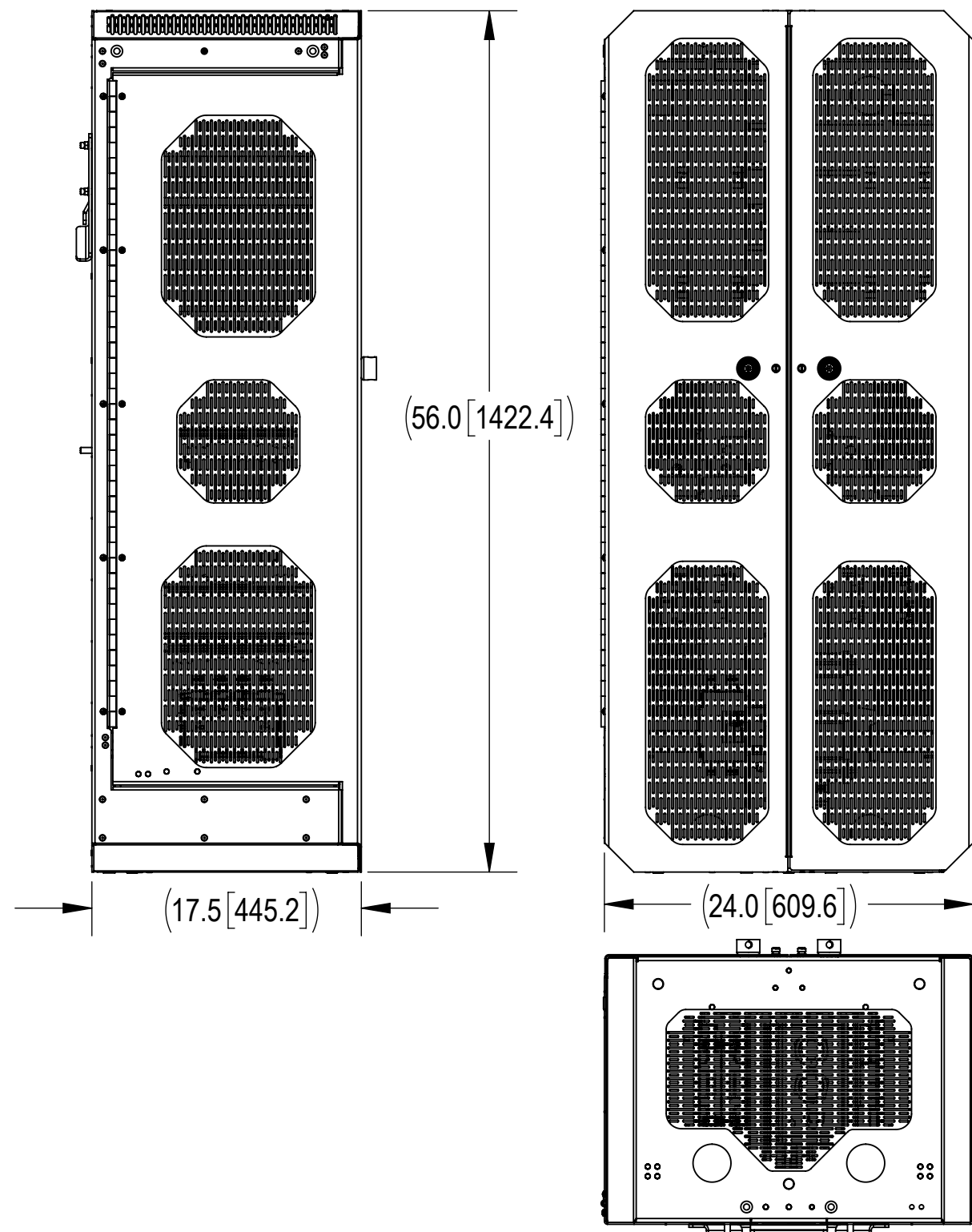
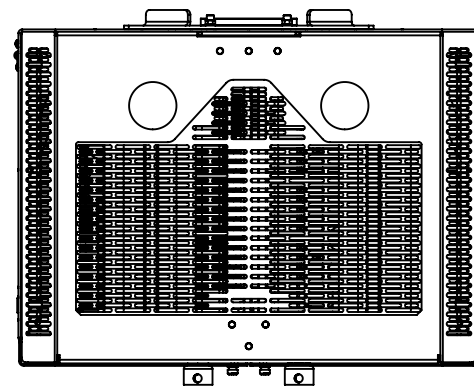
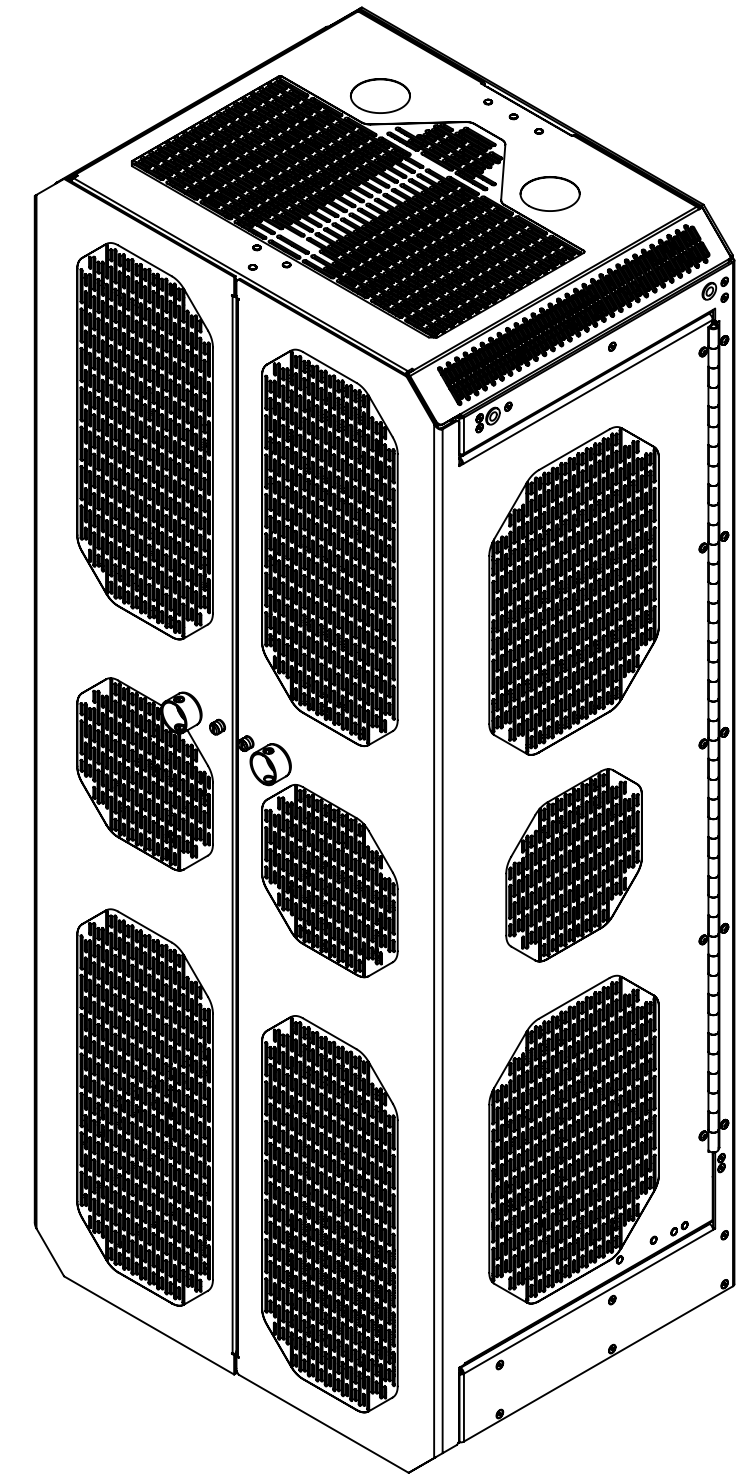


1. GENERAL NOTES
 - 1.1 ALL METRIC DIMENSIONS ARE IN BRACKETS
 - 1.2 FEATURES CRITICAL TO QUALITY ARE INDICATED IN ROUNDED BOX (X.X)
2. DESIGN NOTES
3. MANUFACTURING/SPECIAL REQUIREMENTS
 - 3.1 POWDER COAT PER COMMSCOPE'S PRODUCT COLOR/FINISH SPECIFICATION MTM1004 PER SUFFIX -XX.
 - 3.2 "ANTI-SEIZE" SHALL BE USED ON ALL STAINLESS TO STAINLESS HARDWARE CONNECTIONS
 - 3.3 "No-OX" SHALL BE USED ON ALL CHASSIS TO GROUND CABLE CONNECTIONS
 - 3.4 DO NOT TORQUE DOOR HARDWARE, ONLY SNUG TO SEAT
 - 3.5 TORQUE HARDWARE ACCORDING TO SIZE AS NOTED BELOW.
 - M5: TORQUE 23.0 IN-LB or 2.6 N-M
 - M6: TORQUE 40.0 IN-LB or 4.5 N-M (w/ clip nut)
 - M6: TORQUE 46.0 IN-LB or 5.2 N-M (w/ threaded cast al)
 - M8: TORQUE 6.6 FT-LB or 9.0 N-M (w/ threaded cast al)
 - M10: TORQUE 16.2 FT-LB or 22 N-M (w/ threaded cast al)
 - 1/4-20: TORQUE 4.8 ft-LB or 6.6 N-M
 - 3/8-16: TORQUE 19.6 ft-LB or 26.6 N-M
4. TEST
5. PACKAGING
 - 5.1 PACK PER CS-PL-2044 REQUIREMENTS
6. SHOWN FOR REFERENCE ONLY

REVISIONS			
REV.	DESCRIPTION	DATE	APPROVED
A	PROTOTYPE RELEASE	TN1010 06MAR21	JW1064 10937
B	INITIAL RELEASE	TN1010 21MAY21	JW1064 10937
C	UPDATED VIEW FOR MTM1137-1000-XX AND RRU BARCKET MTM1137-3110,MTM1137-3112	ZL1057 29MAY23	TN1010 40168127CMO

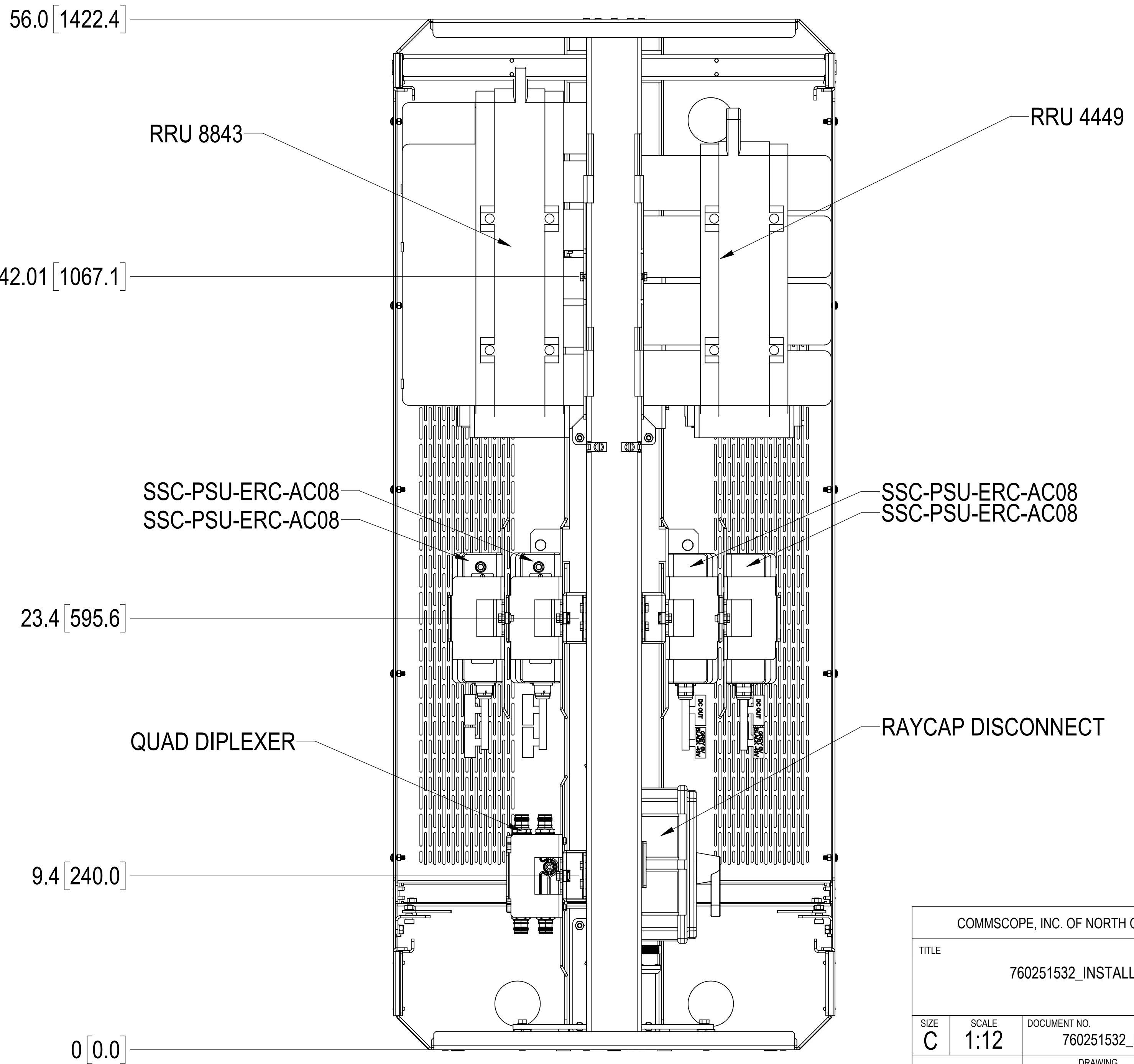



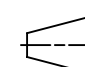
DENSITY	294.26	lbs/in ³
MASS	294.26	lbs
VOLUME	6137.39	in ³
SURFACE AREA	35545.95	in ²
HEIGHT	56.0[1422.4]	
LENGTH	24.0[609.6]	
WIDTH	17.5[445.2]	

COMMSCOPE, INC. OF NORTH CAROLINA

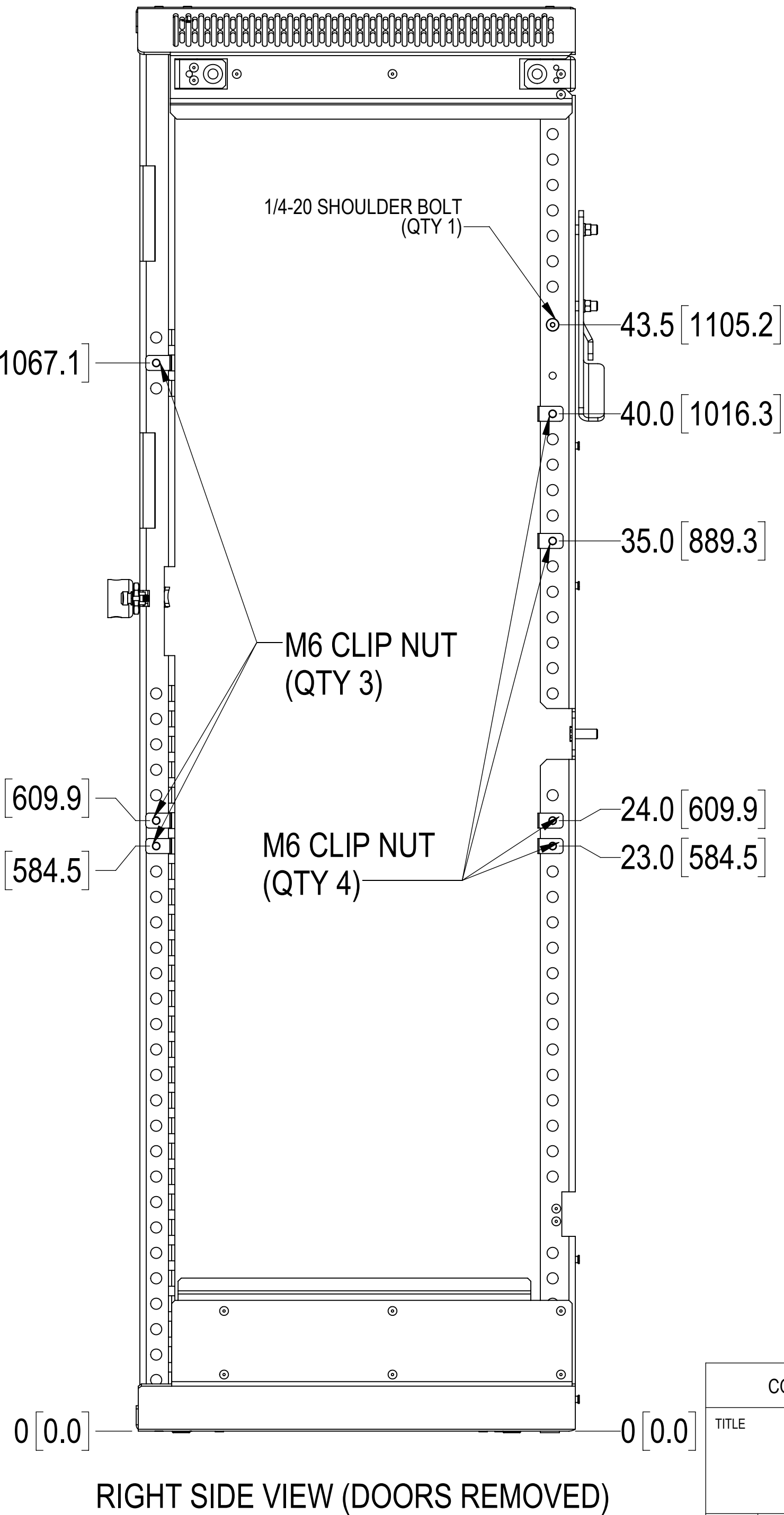
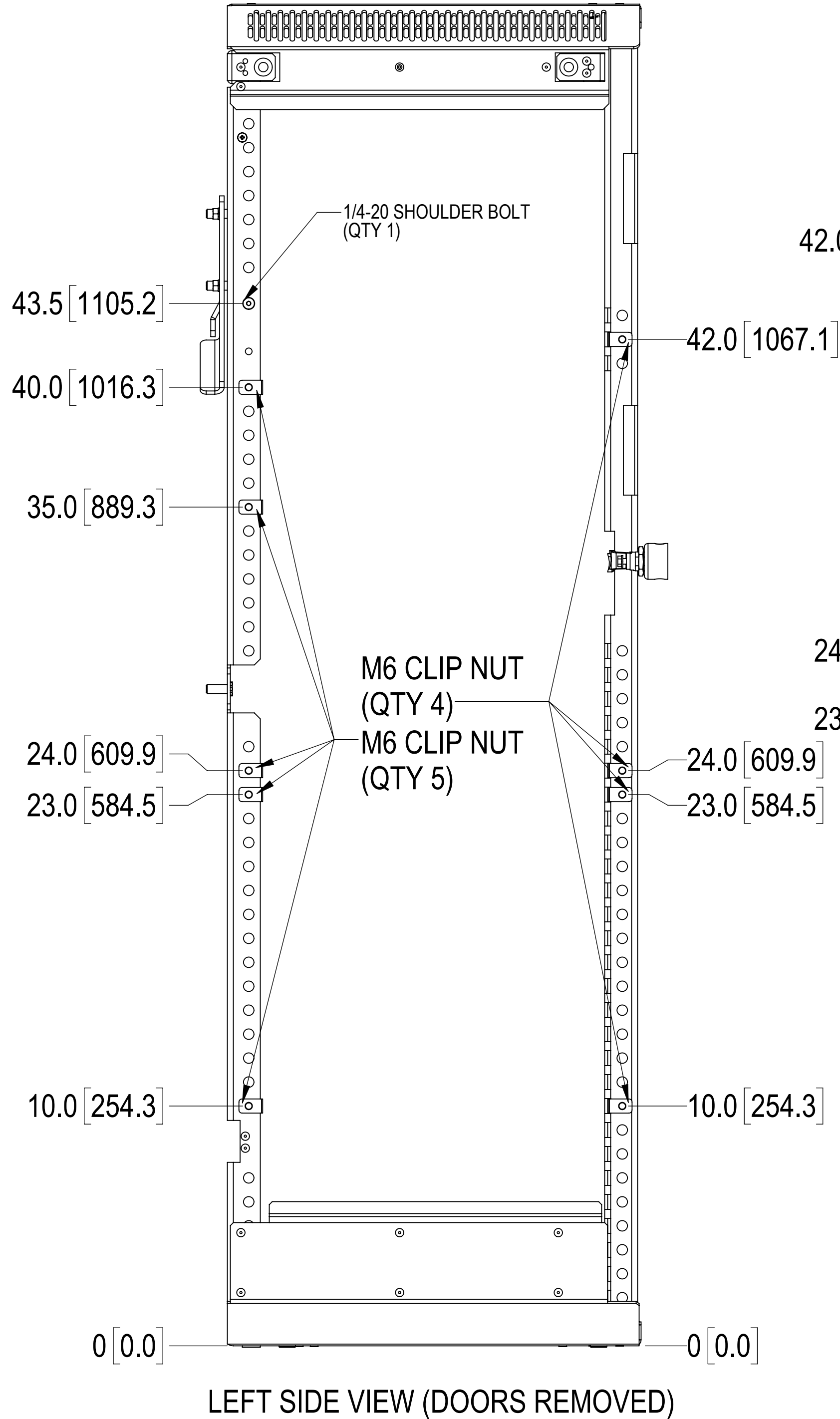
TOLERANCES		SAP MATERIAL MASTER	
1 PLACE .X[X] ± 0.2[5.0]	3 PLACE .XXX[X] ± 0.063[1.6]		
2 PLACE .XX[X] ± 0.13[3.3]	ANGLES ± 1.0°		
FINISH N/A N/A	MATERIAL N/A N/A		
UNLESS OTHERWISE SPECIFIED DIMENSIONS ARE IN INCHES INTERPRET PER ANSI Y 14.5M-1994			
NAME	DATE	TITLE	
CE TN1010	03/06/2021	760251532_INSTALL	
RW ZL1057	06/05/2023		
RV			
AD TN1010	06/05/2023		
RE LMCDOWEL	07/26/2023		
ECN 40168127CMO		SCALE	DOCUMENT NO.
		1:12	760251532_INSTALL
SIZE	WORK AREA	INSL	MODEL
C			VERSION STATUS REVISION
			VERSION STATUS REVISION
			01 RE B
			DRAWING SHEET
			1 OF 7

ERICSSON CONFIGURATION RRU 8843 & 4449



COMMSCOPE, INC. OF NORTH CAROLINA				
TITLE 760251532_INSTALL				
SIZE C	SCALE 1:12	DOCUMENT NO. 760251532_INSTALL		
DRAWING		VERSION	STATUS	REVISION
 		01	RE	B
				SHEET 2 OF 7

HARDWARE INSTALLATION



COMMSCOPE, INC. OF NORTH CAROLINA				
TITLE				
760251532_INSTALL				
SIZE	SCALE	DOCUMENT NO.		
C	1:12	760251532_INSTALL		
DRAWING				SHEET
VERSION	STATUS	REVISION	3 OF 7	
01	RE	B		

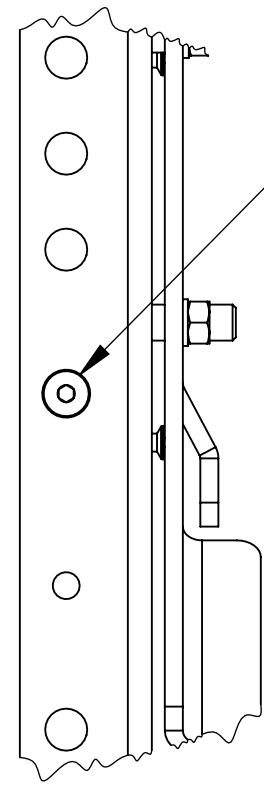
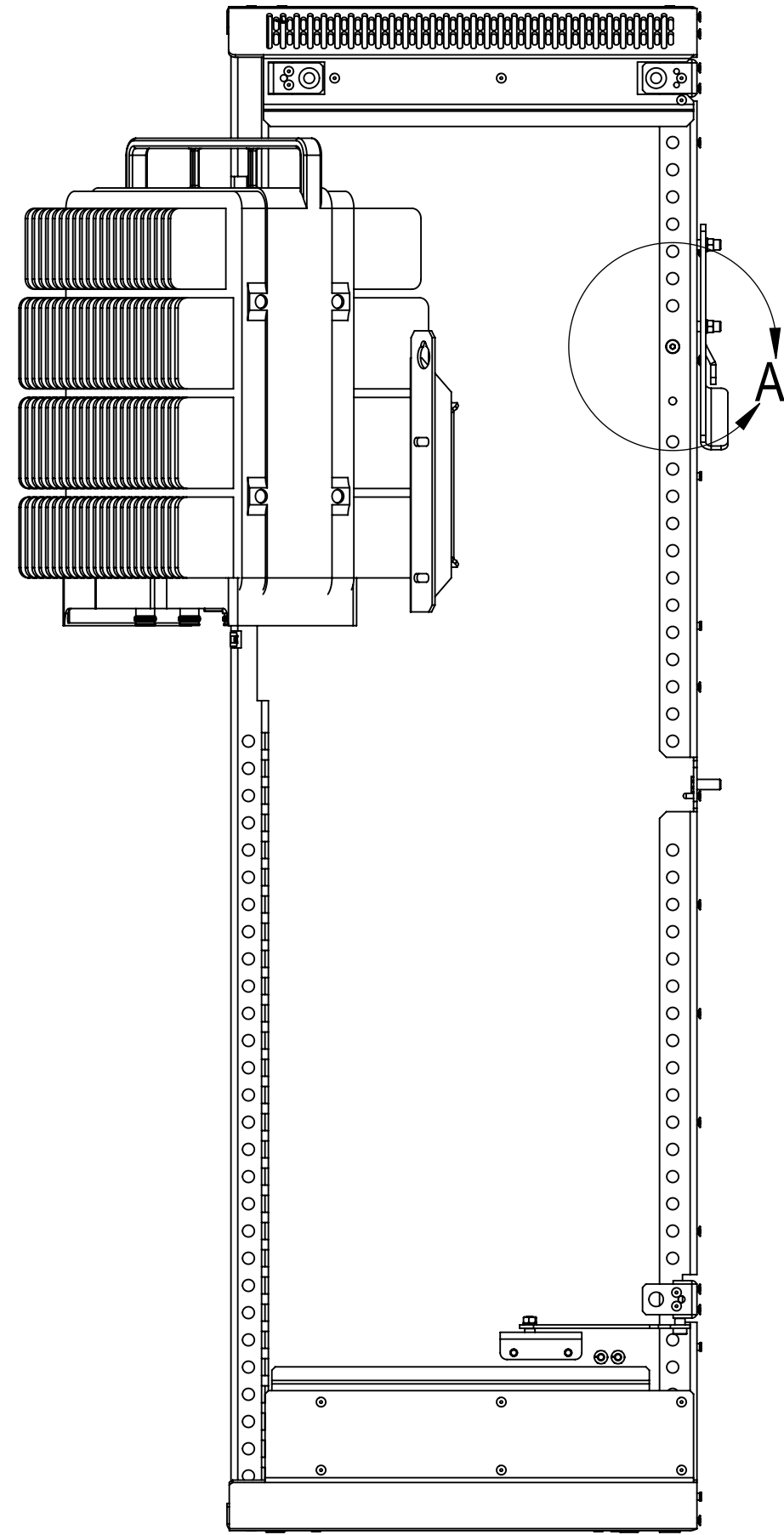
4

3

2

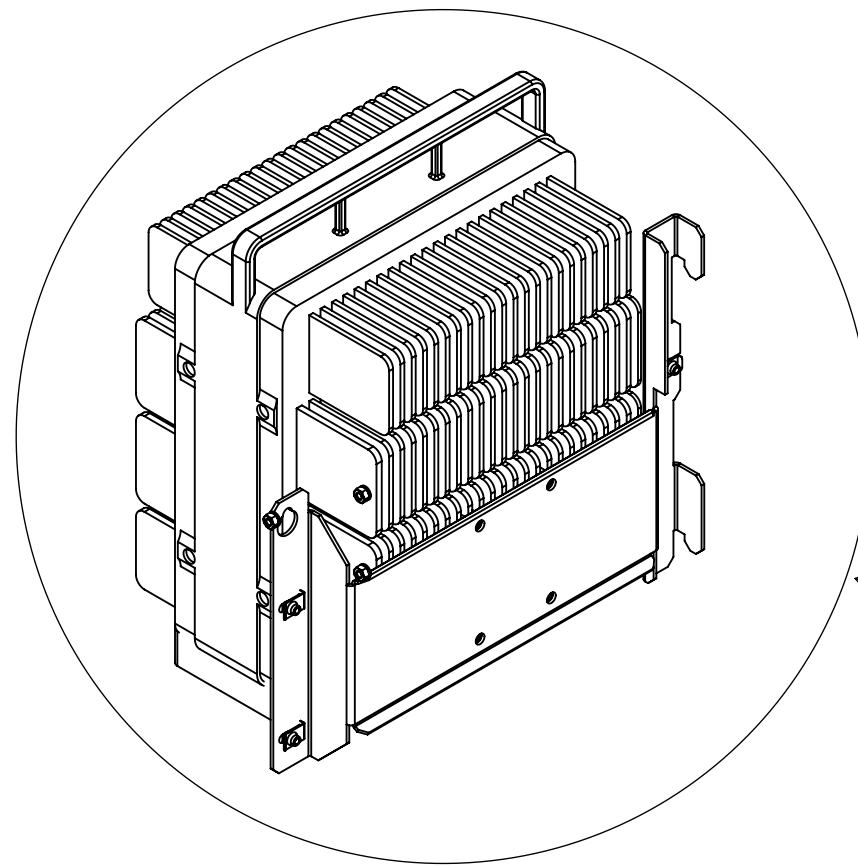
1

RRU INSTALLATION

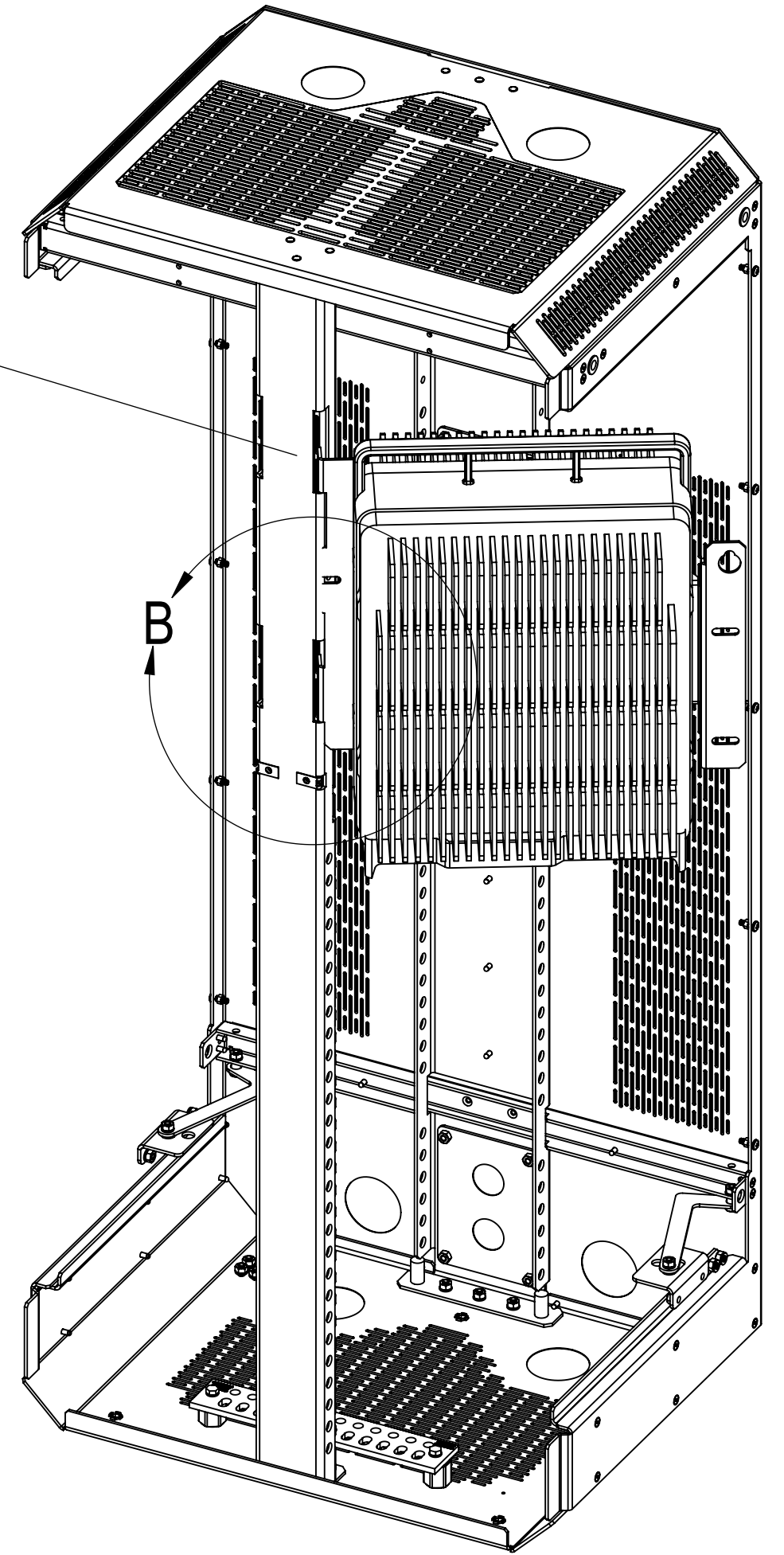


STEP 1. INSTALL SHOULDER BOLT IN TOP LOCATION AS SHOWN (SEE SHEET 3)

DETAIL A
SCALE 1 : 2



DETAIL B
SCALE 1 : 3



- STEP 2. HOLD RRU PANEL BETWEEN 45-90 DEG. AND INSERT BOTH TABS INTO SLOT ON UPRIGHT
- STEP 3: ROTATE PANEL INTO PLACE AND LIFT ONTO THE REAR UPRIGHT GUIDING PIN FOR SUPPORT
- STEP 4: SECURE PANEL WITH PROVIDED M6 HARDWARE
- STEP 5: REPEAT PROCESS FOR OPPOSITE SIDE RRU MOUNTING (IF APPLICABLE)

COMMSCOPE, INC. OF NORTH CAROLINA				
TITLE 760251532_INSTALL				
SIZE C	SCALE 1:12	DOCUMENT NO. 760251532_INSTALL		
		DRAWING		SHEET
		VERSION 01	STATUS RE	REVISION B
				4 OF 7

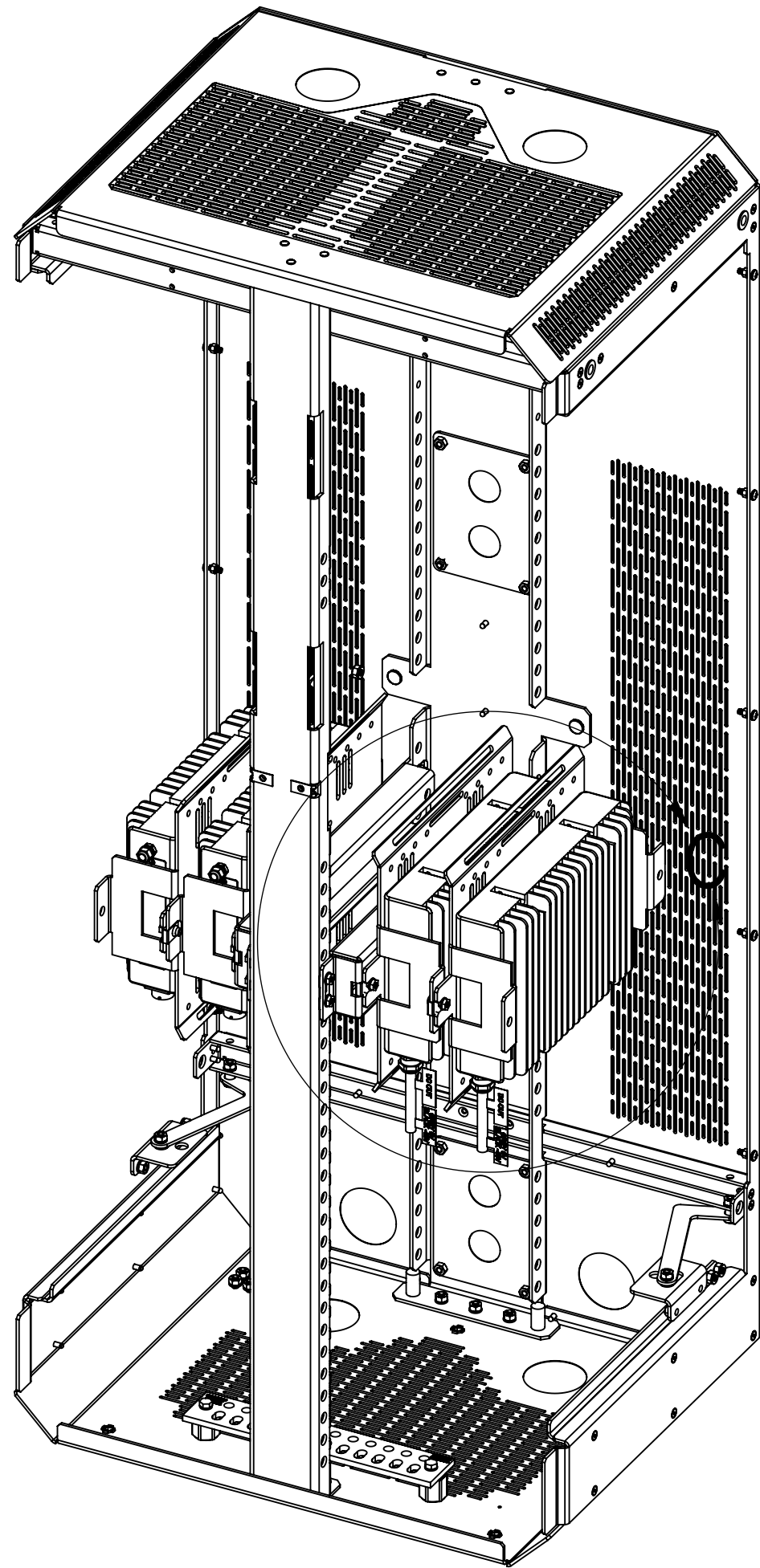
4

3

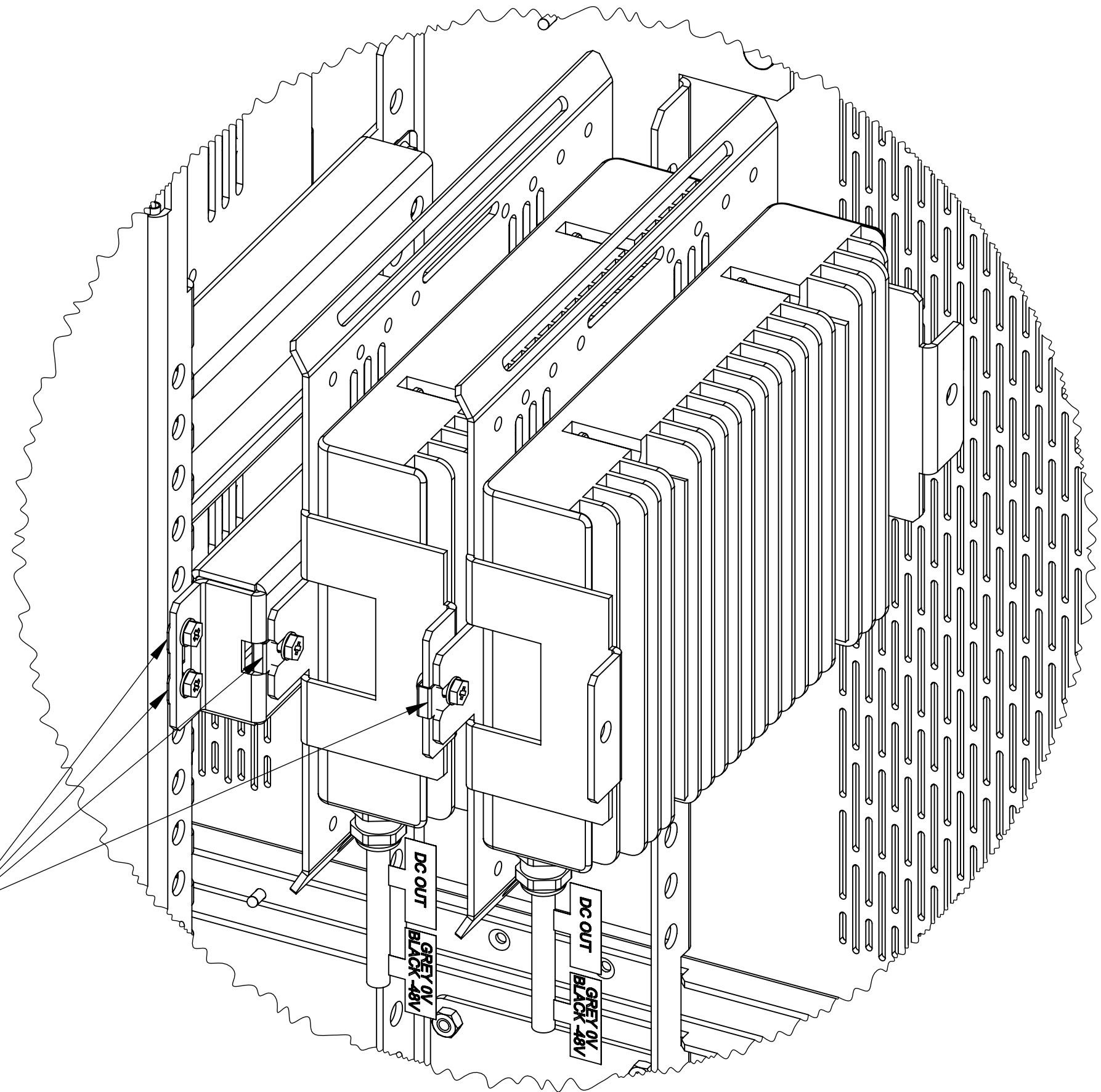
2

1

PSU INSTALLATION



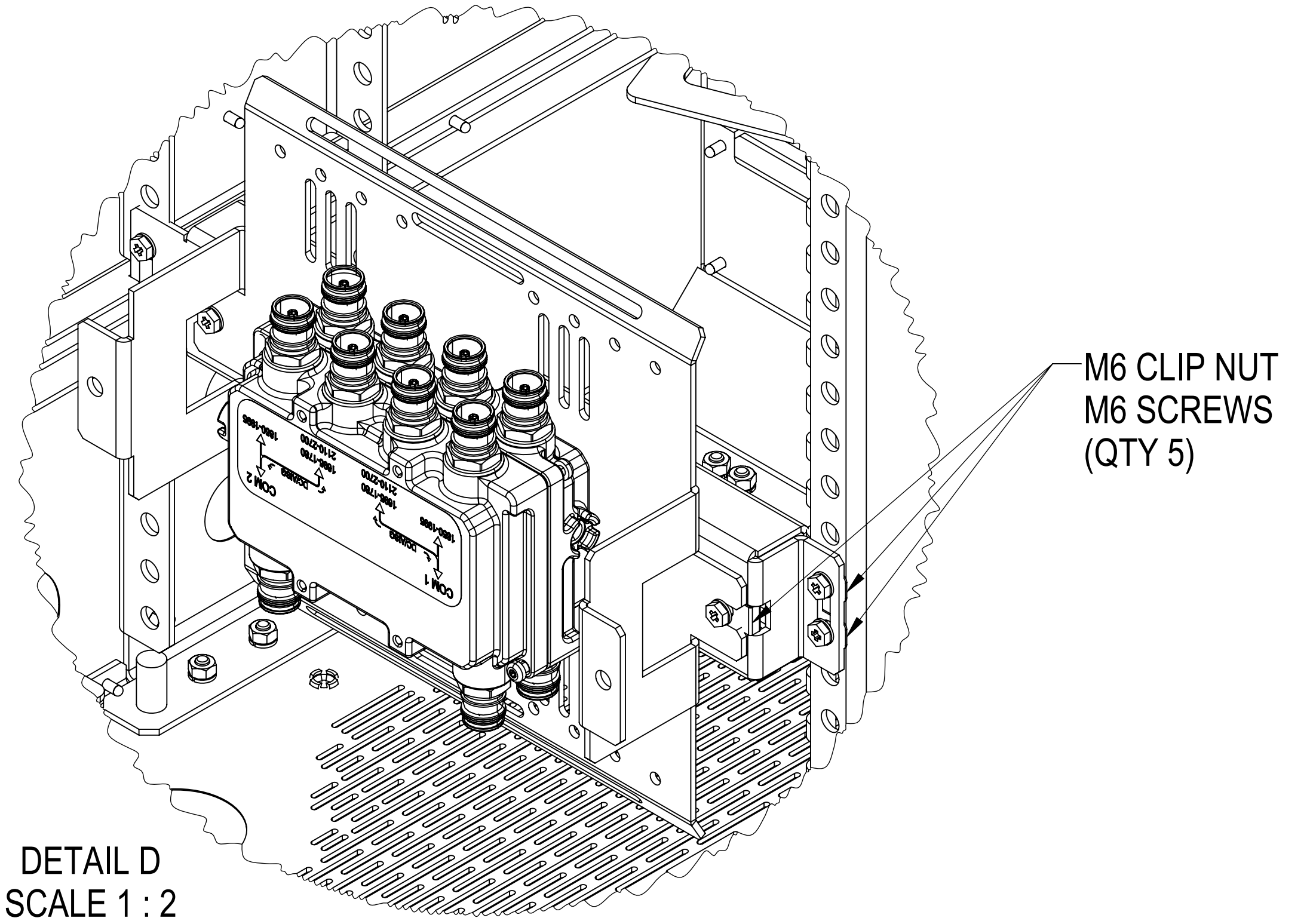
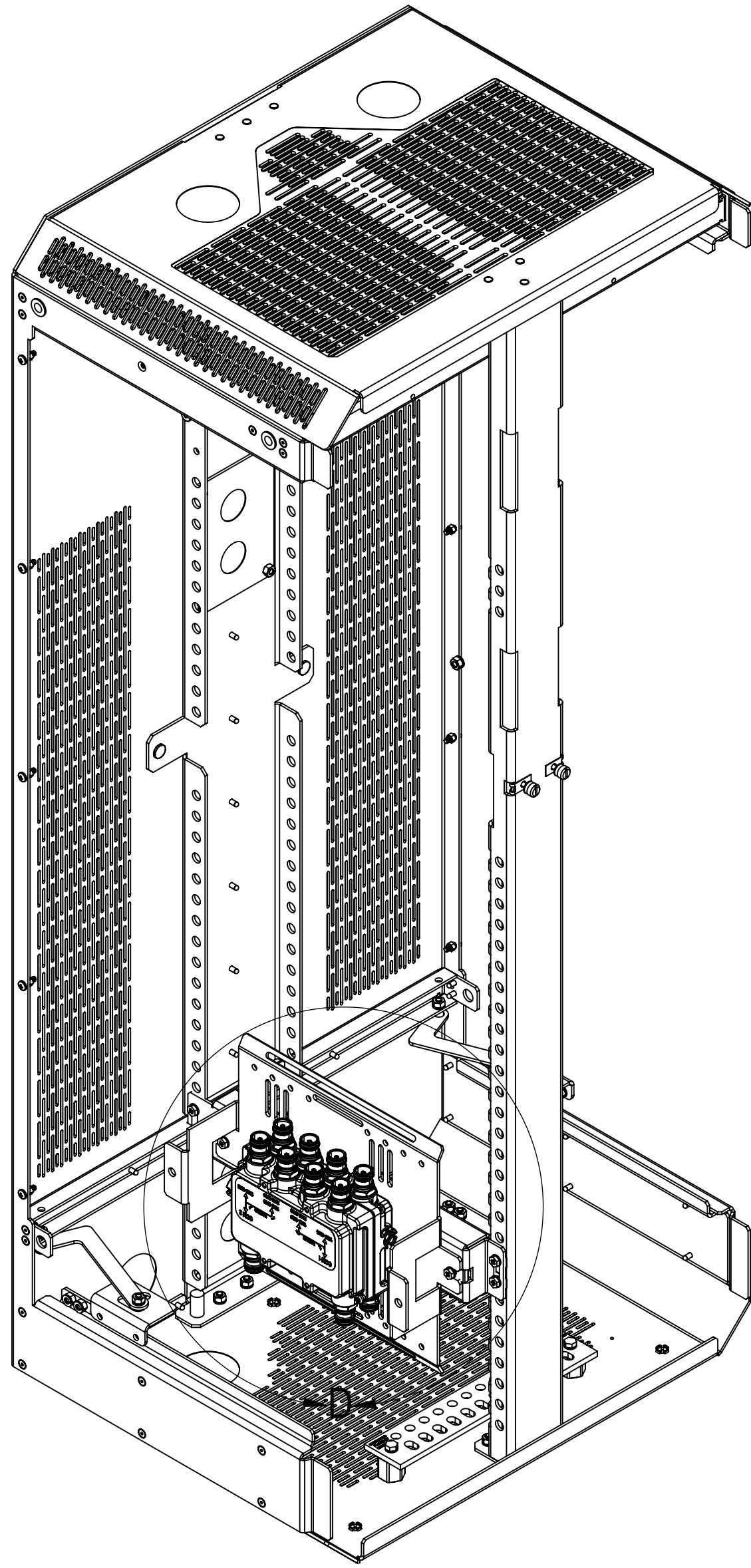
M6 CLIP NUT
M6 SCREWS
(QTY 8)



DETAIL C
SCALE 1 : 2

COMMSCOPE, INC. OF NORTH CAROLINA				
TITLE 760251532_INSTALL				
SIZE C	SCALE 1:12	DOCUMENT NO. 760251532_INSTALL		
		DRAWING		SHEET
		VERSION	STATUS	REVISION
		01	RE	B
				5 OF 7

DIPLEXER INSTALLATION



DETAIL D
SCALE 1:2

M6 CLIP NUT
M6 SCREWS
(QTY 5)

COMMSCOPE, INC. OF NORTH CAROLINA				
TITLE				
760251532_INSTALL				
SIZE	SCALE	DOCUMENT NO.		
C	1:12	760251532_INSTALL		
		DRAWING		
		VERSION	STATUS	REVISION
		01	RE	B
				SHEET
				6 OF 7

4

3

2

1

RAYCAP DISCONNECT INSTALLATION

D

D

C

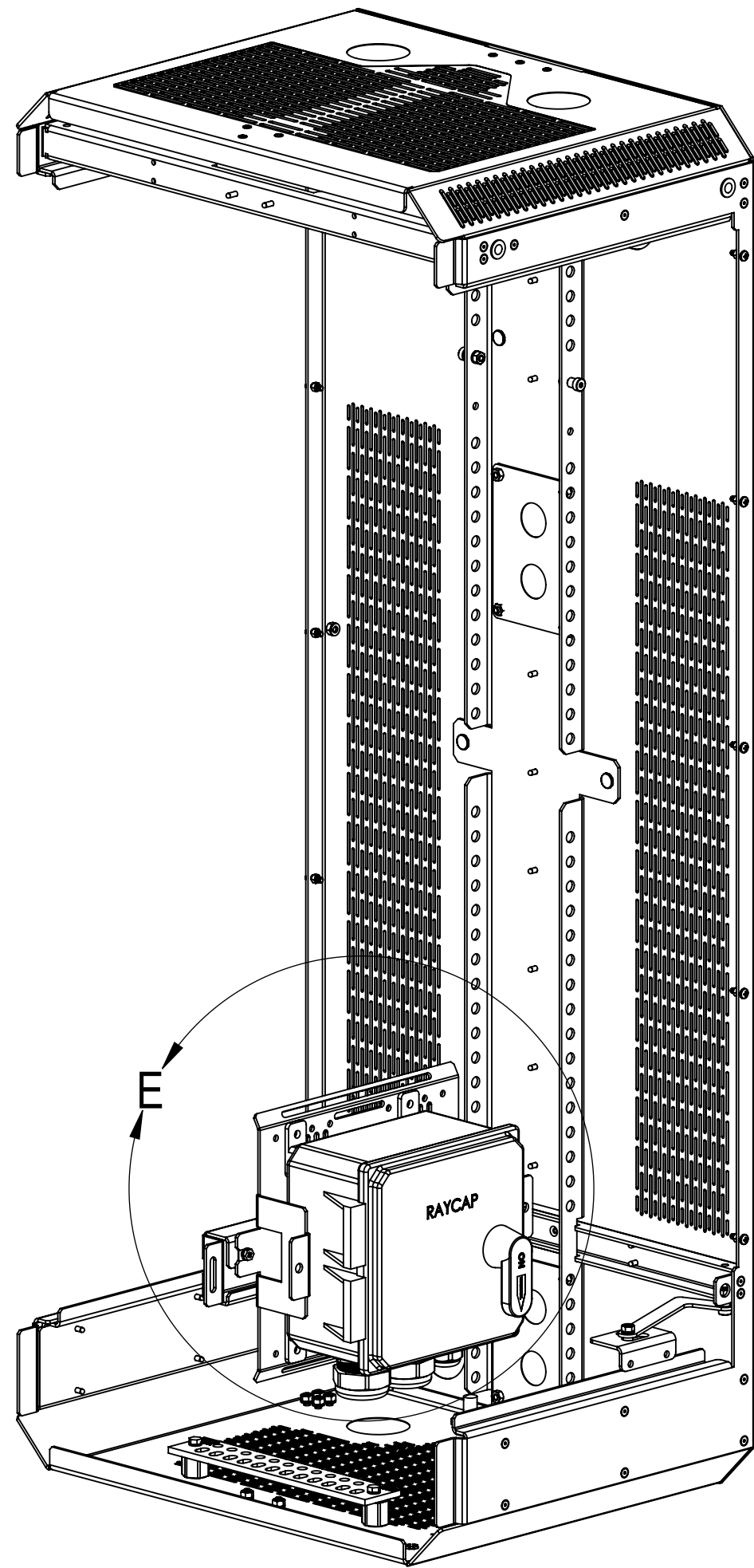
C

B

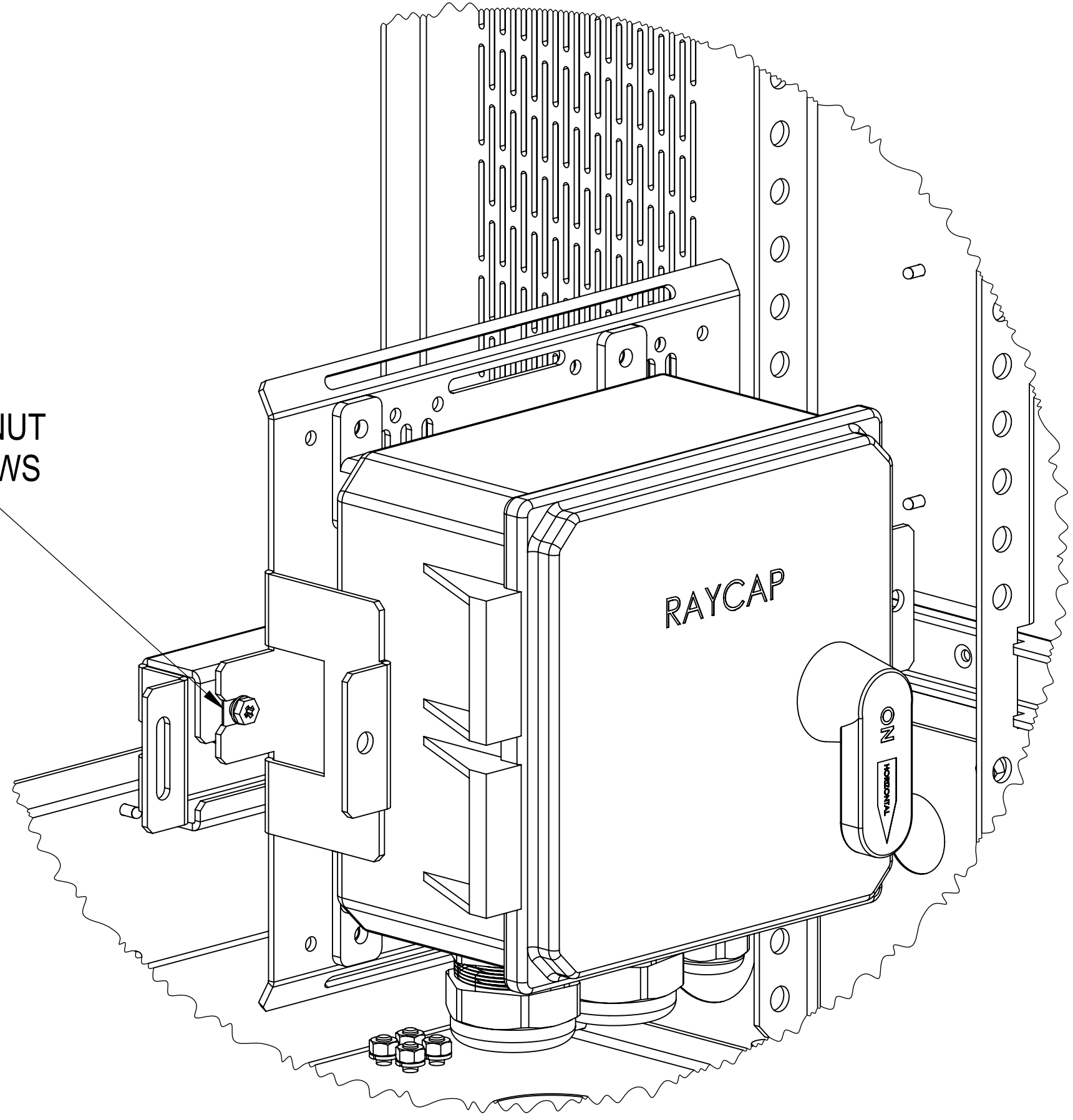
B

A

A



M6 CLIP NUT
 M6 SCREWS
 (QTY 2)



DETAIL E
 SCALE 1 : 2

COMMSCOPE, INC. OF NORTH CAROLINA				
TITLE				
760251532_INSTALL				
SIZE	SCALE	DOCUMENT NO.		
C	1:12	760251532_INSTALL		
		DRAWING		SHEET
		VERSION	STATUS	REVISION
		01	RE	B
				7 OF 7

4

3

2

1