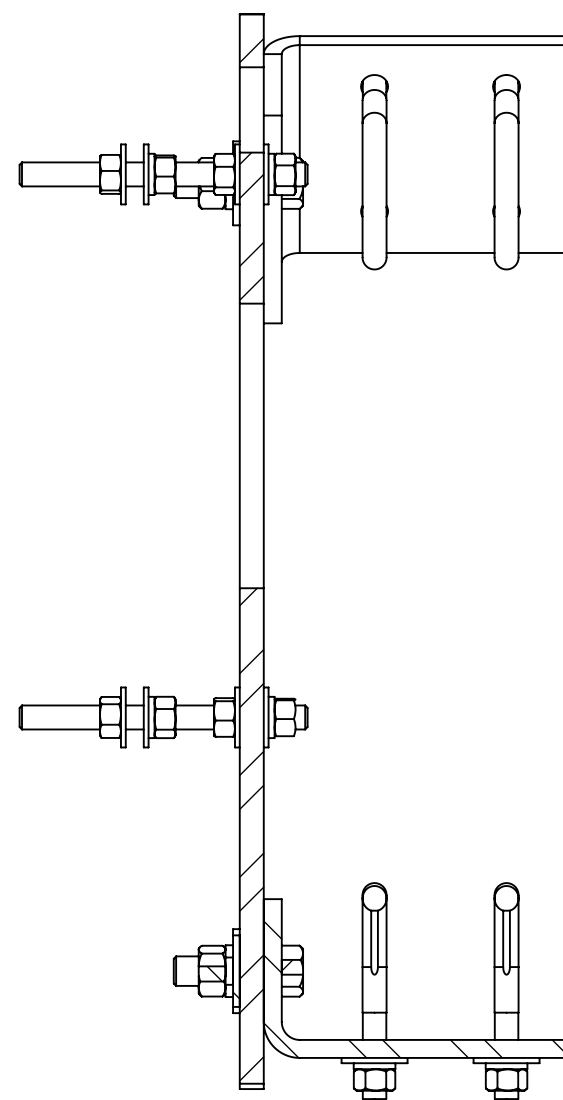
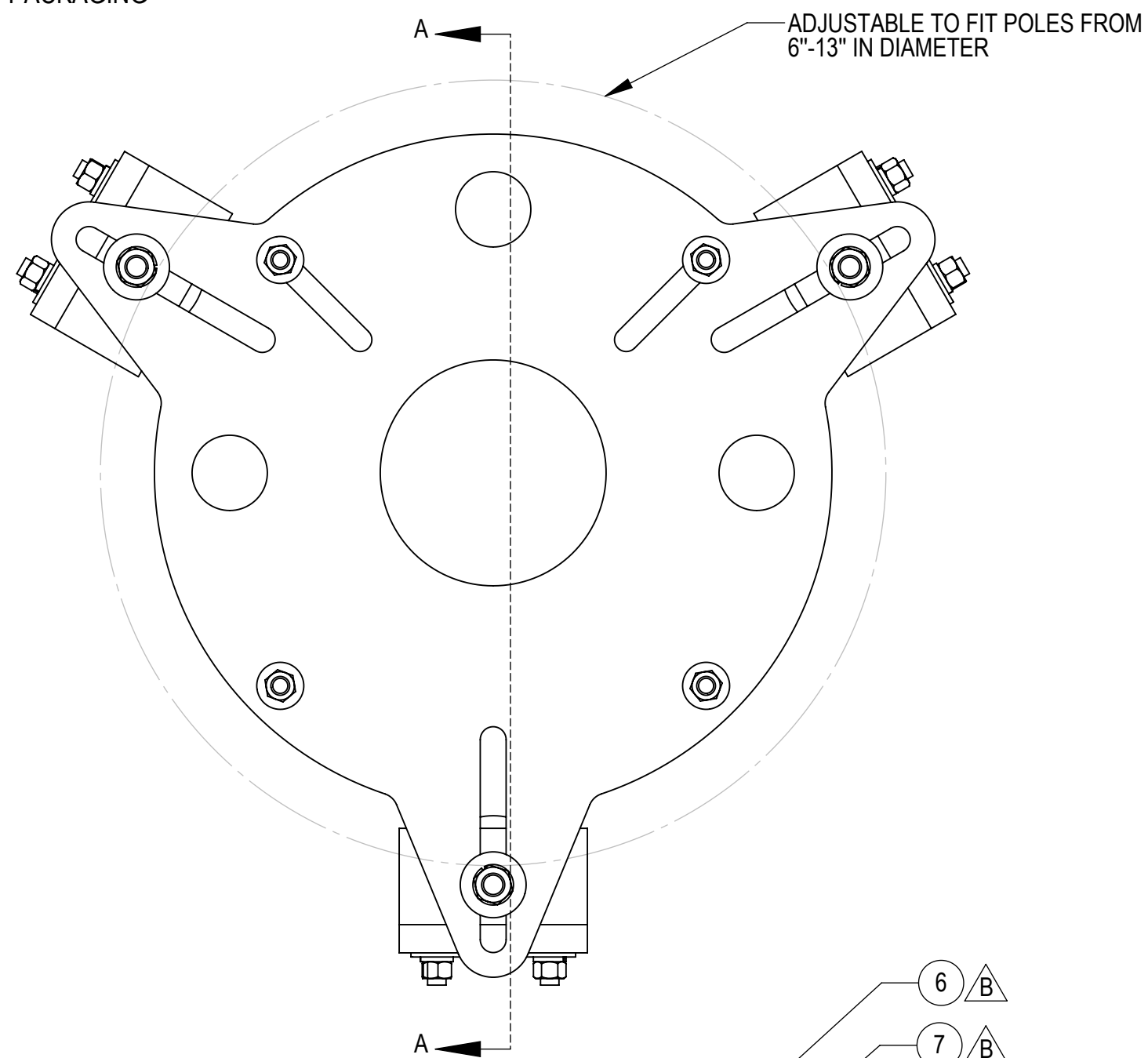


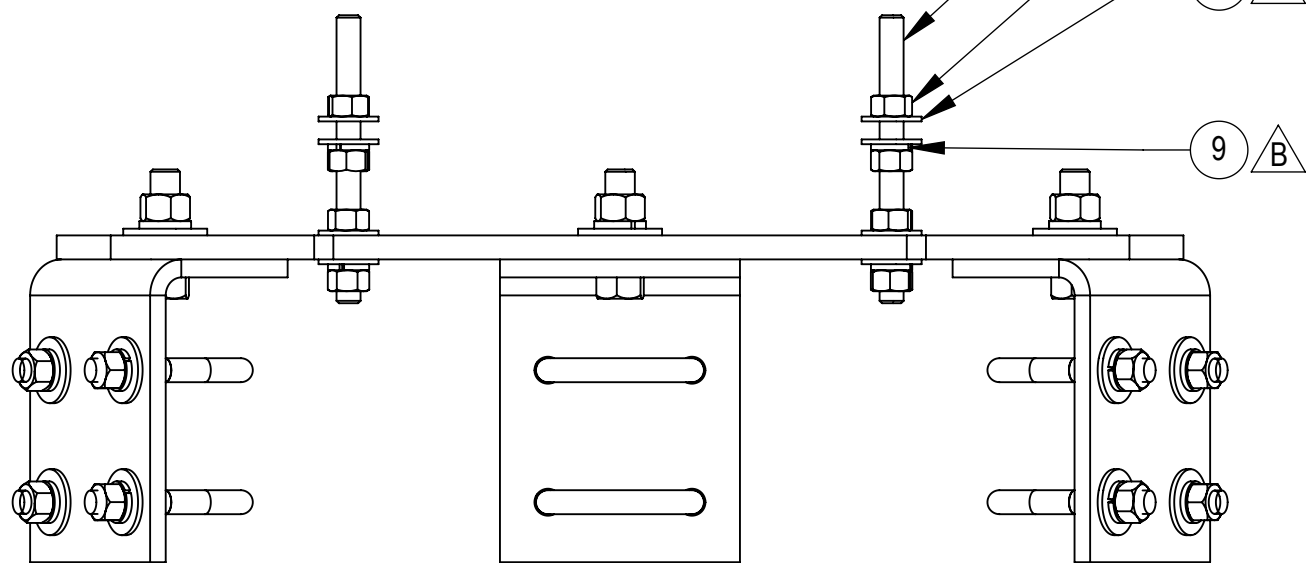
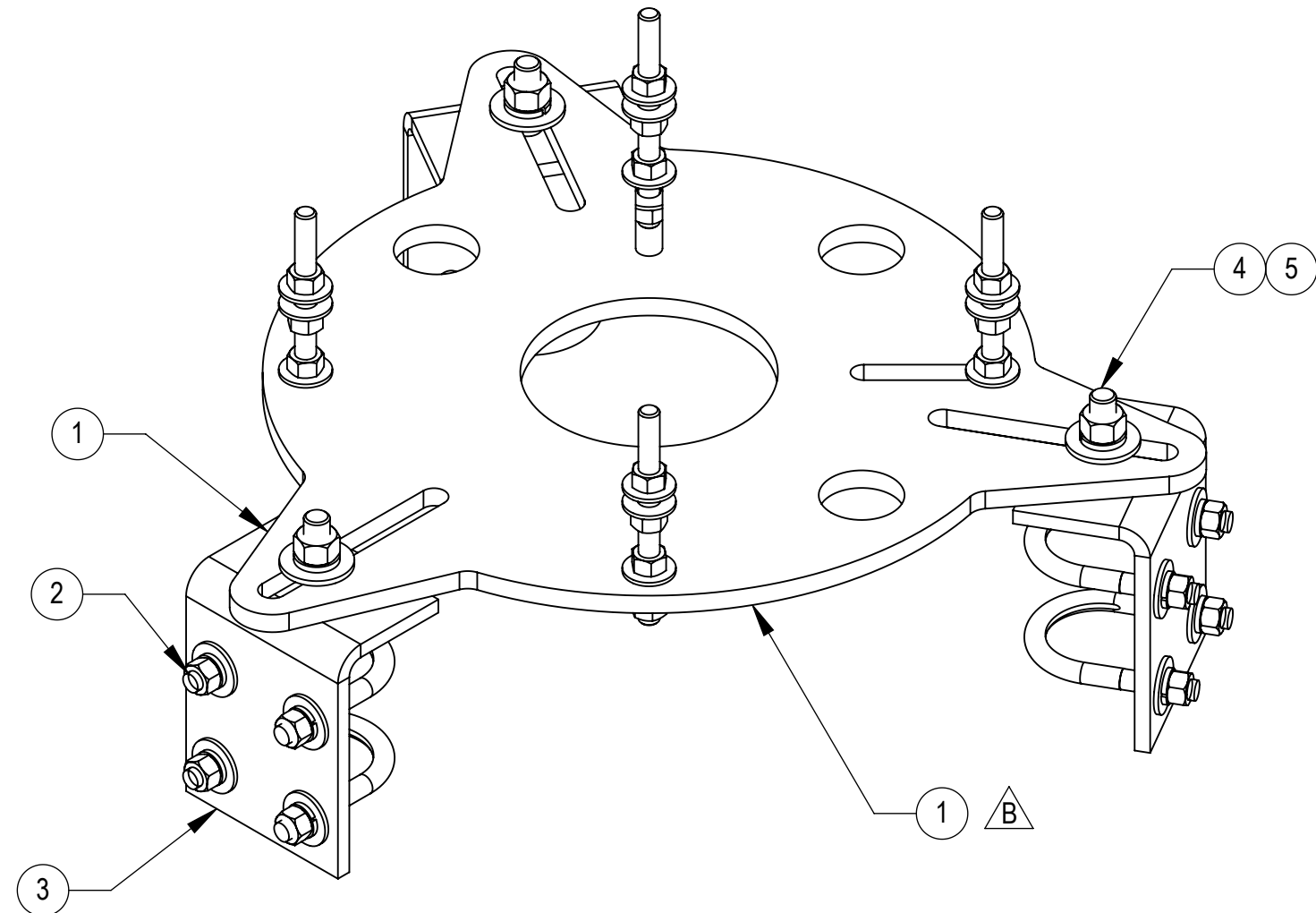
NOTES:

- 1.0 GENERAL
  - 1.1 ALL METRIC DIMENSIONS ARE IN BRACKETS
  - 1.2 FOR PATENTS, SEE WWW.CS-PAT.COM
- 2.0 DESIGN NOTES
- 3.0 MANUFACTURING/SPECIAL REQUIREMENTS
- 4.0 TEST
- 5.0 PACKAGING

REVISIONS				
REV.	ECN	DESCRIPTION	BY	DATE
A	8000040496	INITIAL RELEASE	JLA	04/30/20
B	8000042452	REMOVED INTERFACE WELDMENT; UPDATED TOP PLATE	RKH	8/27/2020



SECTION A-A



ITEM NO.	PART NUMBER	DESCRIPTION	QTY.
1	MTC4100-0010	TOP PLATE, 6-13" POLES, .375 IN THICK	1
2	GUB-4240	1/2" X 2-1/2" X 4" GALV U-BOLT	6
3	MTC4102	TOP CAP CROSSOVER	3
4	GB-0522A	5/8" X 2-1/4" GALV BOLT KIT (A325)	3
5	GWF-05	5/8" GALV FLAT WASHER, 1.70D	3
6	MT-379-6	THREADED ROD GALV 1/2" X 6"	4
7	GN-04	GALV HEX NUT 1/2"	16
8	GWF-04	1/2" GALV FLAT WASHER	16
9	GWL-04	1/2" GALV LOCK WASHER	8

△ B

△ B

△ B

△ B

△ B

**COMMSCOPE, INC. OF NORTH CAROLINA**

TOLERANCES		SAP MATERIAL MASTER	
1 PLACE .X ± .25	3 PLACE .XXX ± 0.06	<b>SCPTRU-201-T</b>	
2 PLACE .XX ± 0.12	ANGLES ± 2°		
FINISH GALV A123		MATERIAL A1011/A1018, A500	

UNLESS OTHERWISE SPECIFIED DIMENSIONS ARE IN INCHES INTERPRET PER ANSI Y 14.5M-1994	NAME	DATE	TITLE				
	CE JAT132	4/30/20	<b>PT18 SHORT WOOD POLE MOUNT</b>				
	RW ROGHANSON	09/04/2020					
	RV						
	AD BCROSS	09/08/2020					
RE BCROSS	09/08/2020						
ECN 008000042452	SCALE <b>1:4</b>	DOCUMENT NO. <b>SCPTRU-201-T</b>					
SIZE WORK AREA 24	MODEL		DRAWING				
<b>C</b>	VERSION 04	STATUS RE	REVISION A	VERSION 05	STATUS RE	REVISION A	SHEET 1 OF 2

DENSITY		lbs/in <sup>3</sup>
MASS	56.66	lbs
VOLUME	200.52	in <sup>3</sup>
SURFACE AREA	1235.83	in <sup>2</sup>
HEIGHT		
LENGTH		
WIDTH		

4

3

2

1

NOTES:

D

D

C

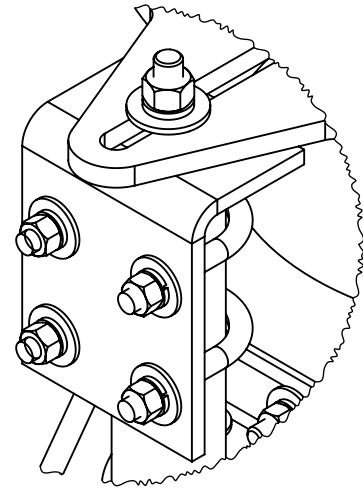
C

B

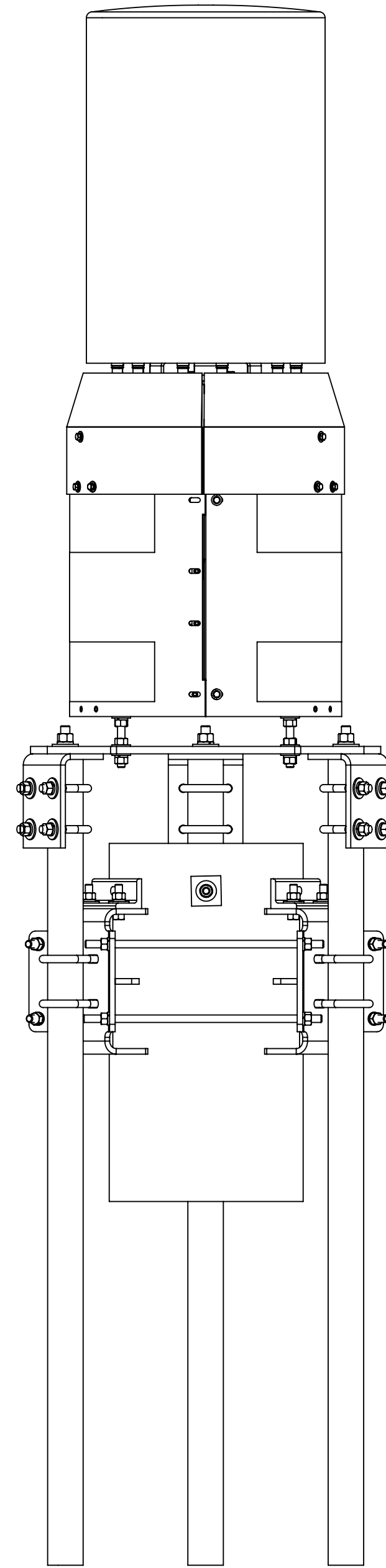
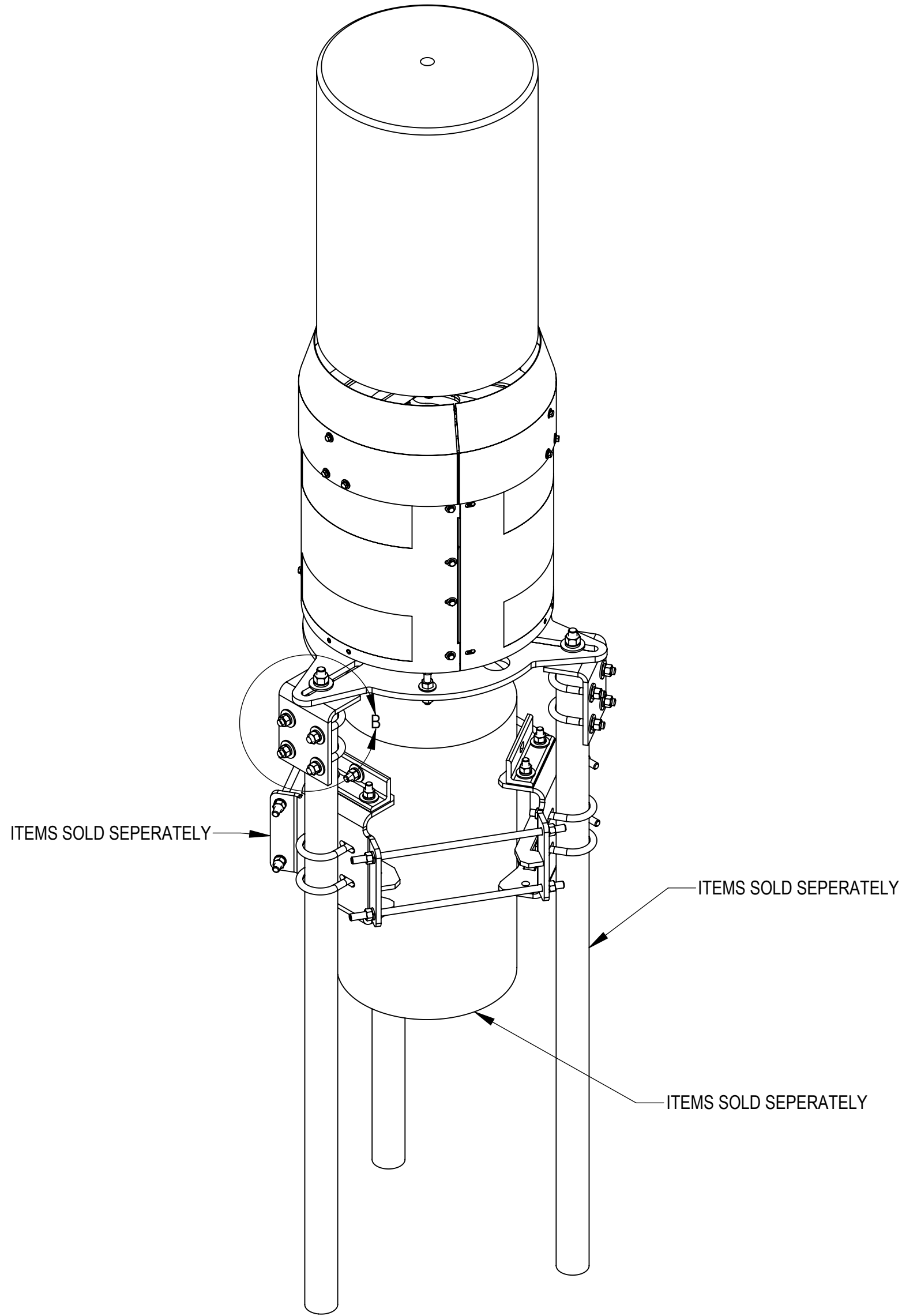
B


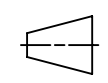
A

A



DETAIL B



COMMSCOPE, INC. OF NORTH CAROLINA				
TITLE PT18 SHORT WOOD POLE MOUNT				
SIZE <b>C</b>	SCALE <b>1:4</b>	DOCUMENT NO. SCPTRU-201-T		
 		DRAWING		SHEET 2 OF 2
		VERSION 05	STATUS RE	

4

3

2

1