

STOCKLIST*

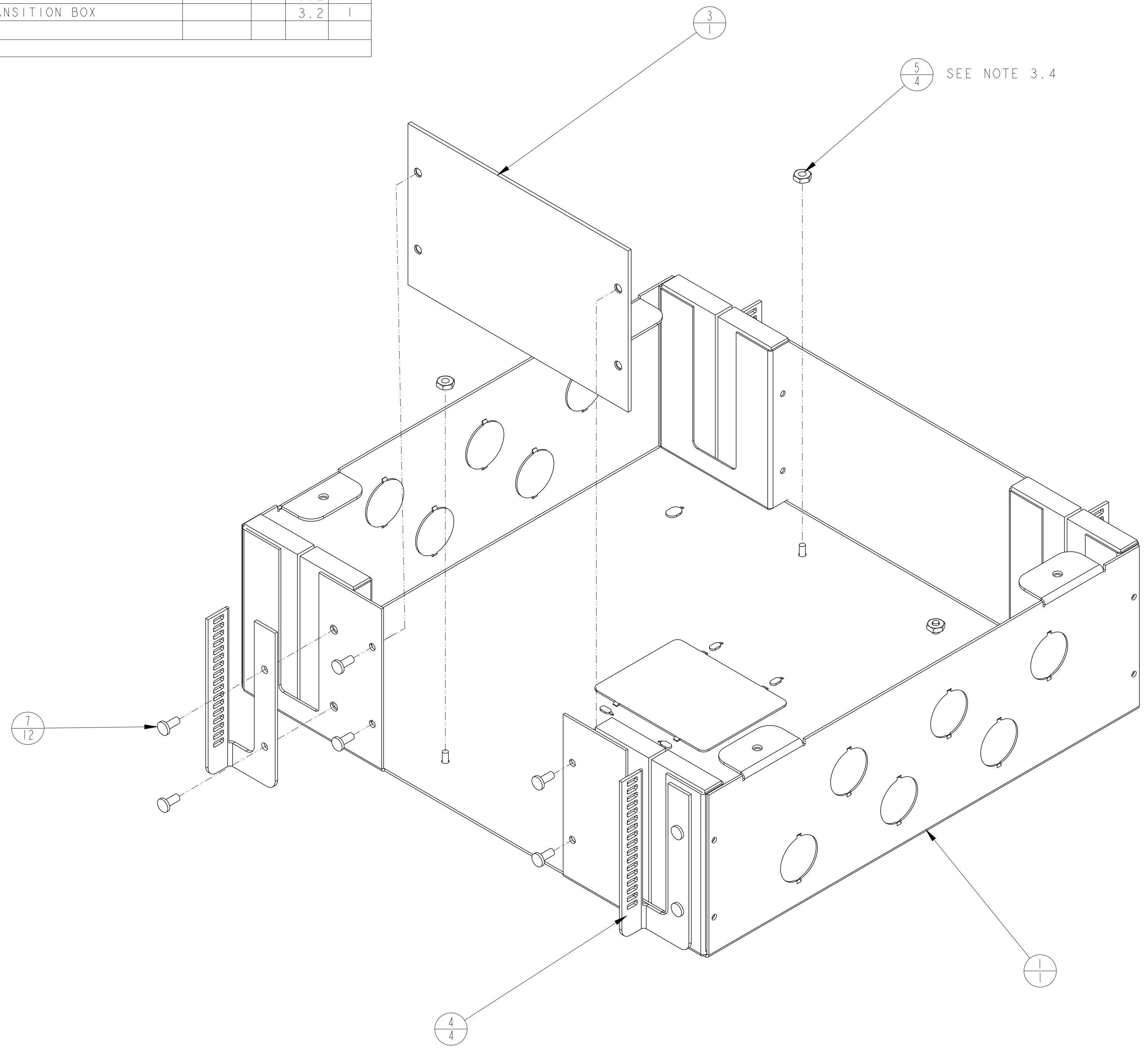
760250853
PFC TRANSITION BOX

REVISIONS			
REV	CMO	DATE	APPROVED
A	40119926CMO	09-NOV-20	SK
C	40132708CMO	24-FEB-21	SK

ITEM	COMCODE	IDENT NO.	DESCRIPTION	REF	NOTE		QTY
					SYM	NO.	
1	860020817		SUB-ASSEMBLY, BASE				1
2	860015023		COVER, BASE				1
3	860375153		COVER, SIDE CLOSEOUT - PLENUM BOX				1
4	860015098		STRAIN RELIEF, SMALL				4
5	802065185	-	NUT HEX, NO.8-32		3.4		4
6	860657266		ASSY, PFC TERMINATION DECK		3.4		1
7	460008683		SCREW, PHILLIPS, 8/32, 5/16L				16
8	846836690		LABEL, WARNING		3.3		1
9	860660804		LABEL, UL, PFC TB		3.3		1
10	460011802		CABLE TIE, PLENUM, 30 cm		3.2		15
11	860660476		LABEL, INTERCONNECTION		3.2		1
12	860660202		INSTRUCTIONS, PFC TRANSITION BOX		3.2		1

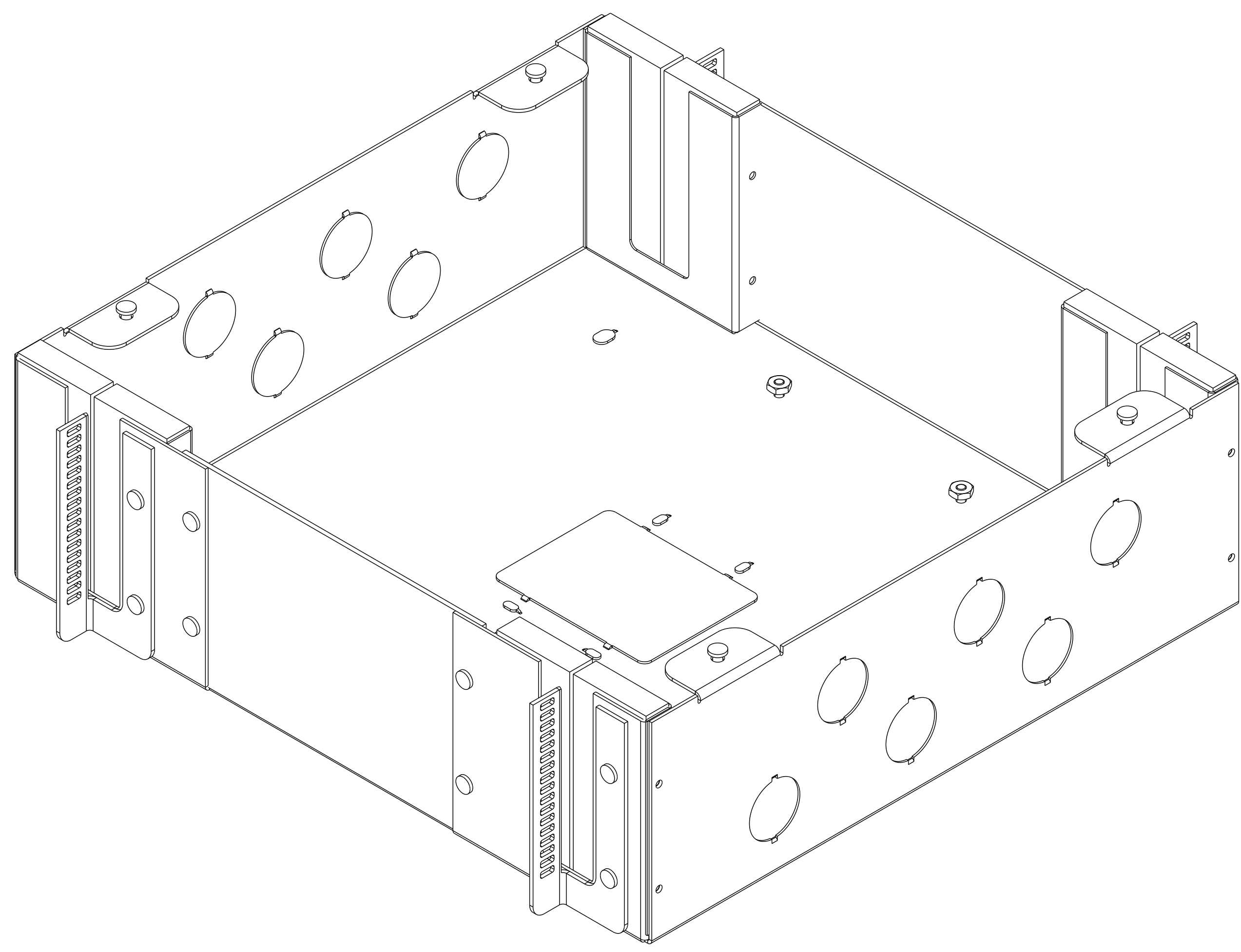
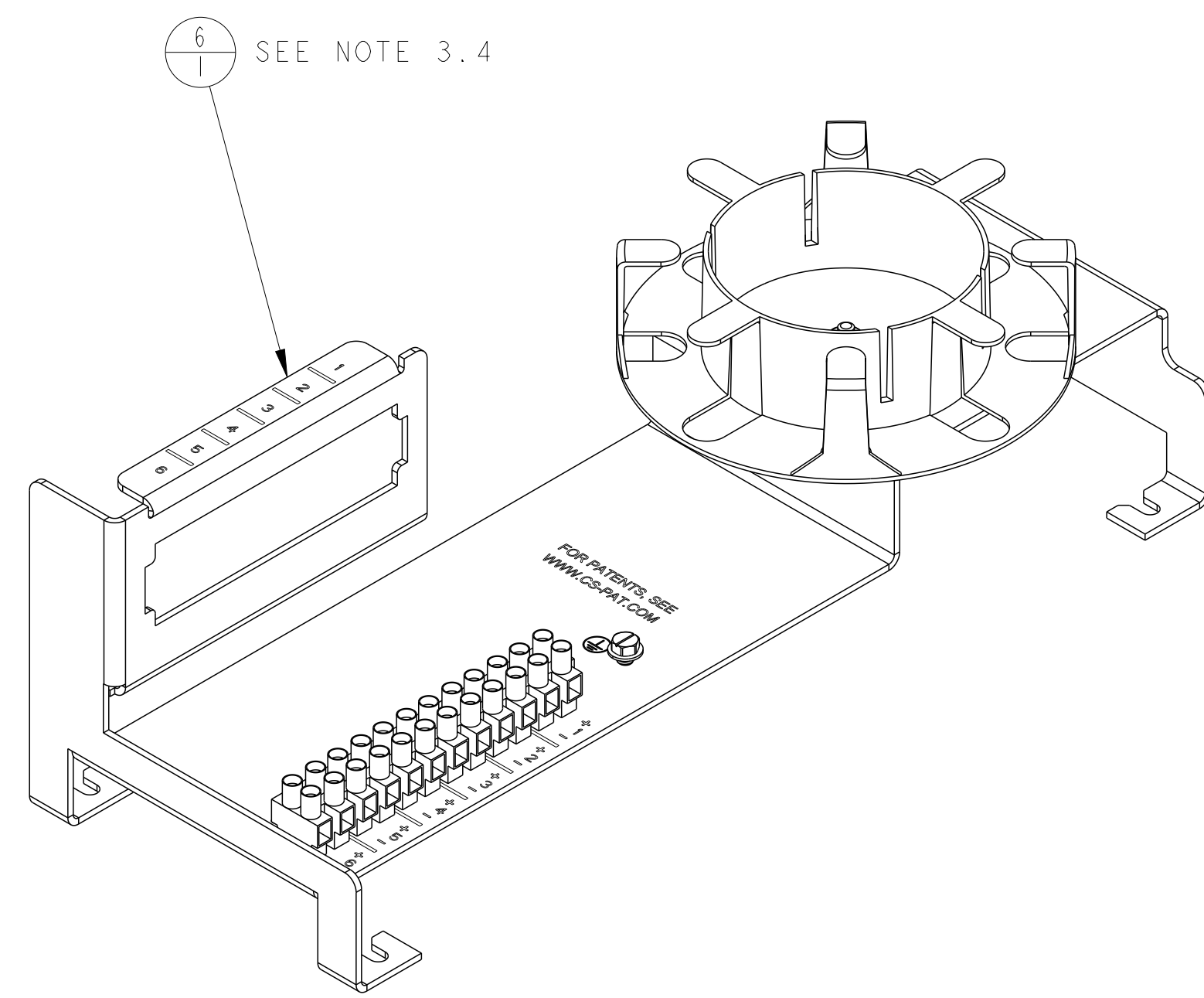
NOTES:

- 1.0 GENERAL NOTES
 - 1.1 THIS IS A CREO DATABASE. THE ROOT FILE NAME IS 760250853.
 - 1.2 THIS PRODUCT SHALL MEET THE REQUIREMENTS OF CS-EPC-2001.
- 2.0 DESIGN NOTES
- 3.0 MANUFACTURING/SPECIAL REQUIREMENTS
 - 3.1 NO PAINT SHALL BE ON INTERNAL OR EXTERNAL THREADS.
 - 3.2 SHIPPED LOOSE ITEM.
 - 3.3 ATTACH LABEL WHERE SHOWN. ENSURE LABEL IS SUBSTANTIALLY ALLIGNED WITH MATERIAL EDGES AND FREE OF AIR BUBBLES AND OR WRINGLES. DIMENSIONS ARE APPROXIMATE.
 - 3.4 ITEM 5 SHALL BE THREADED ON TO STUD BUT LEFT LOOSE SO THAT THE MOUNTING FEET OF ITEM 6 CAN SLID UNDER ITEM 5 BEFORE TIGHTENING.
 - 3.5 ITEM 7 SHALL BE LEFT LOOSE SO THAT ITEM 2 CAN BE INSTALLED OVER ITEM 7 BEFORE TIGHTENING.
 - 3.6 860111947 IS AN APPROVED EQUIVELENT FOR ITEM 8.



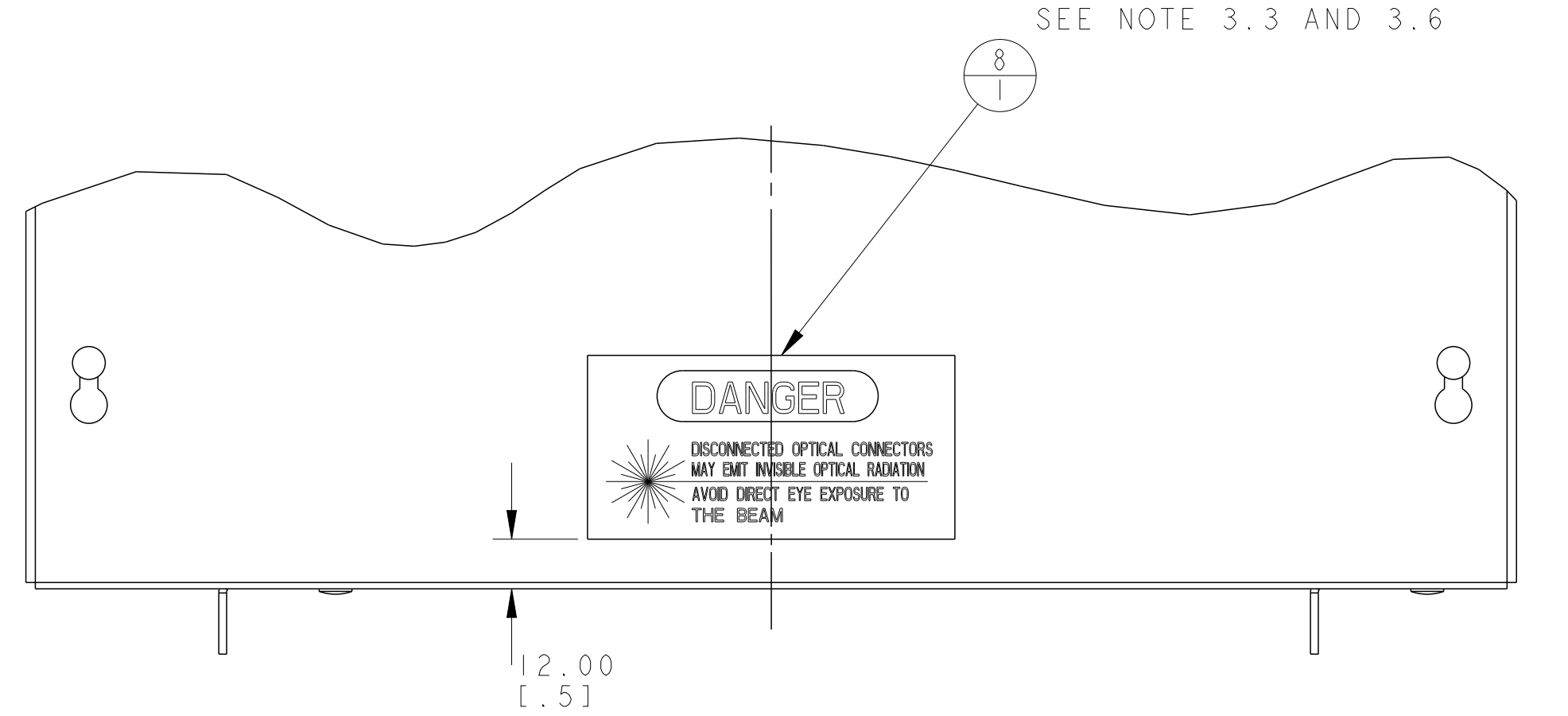
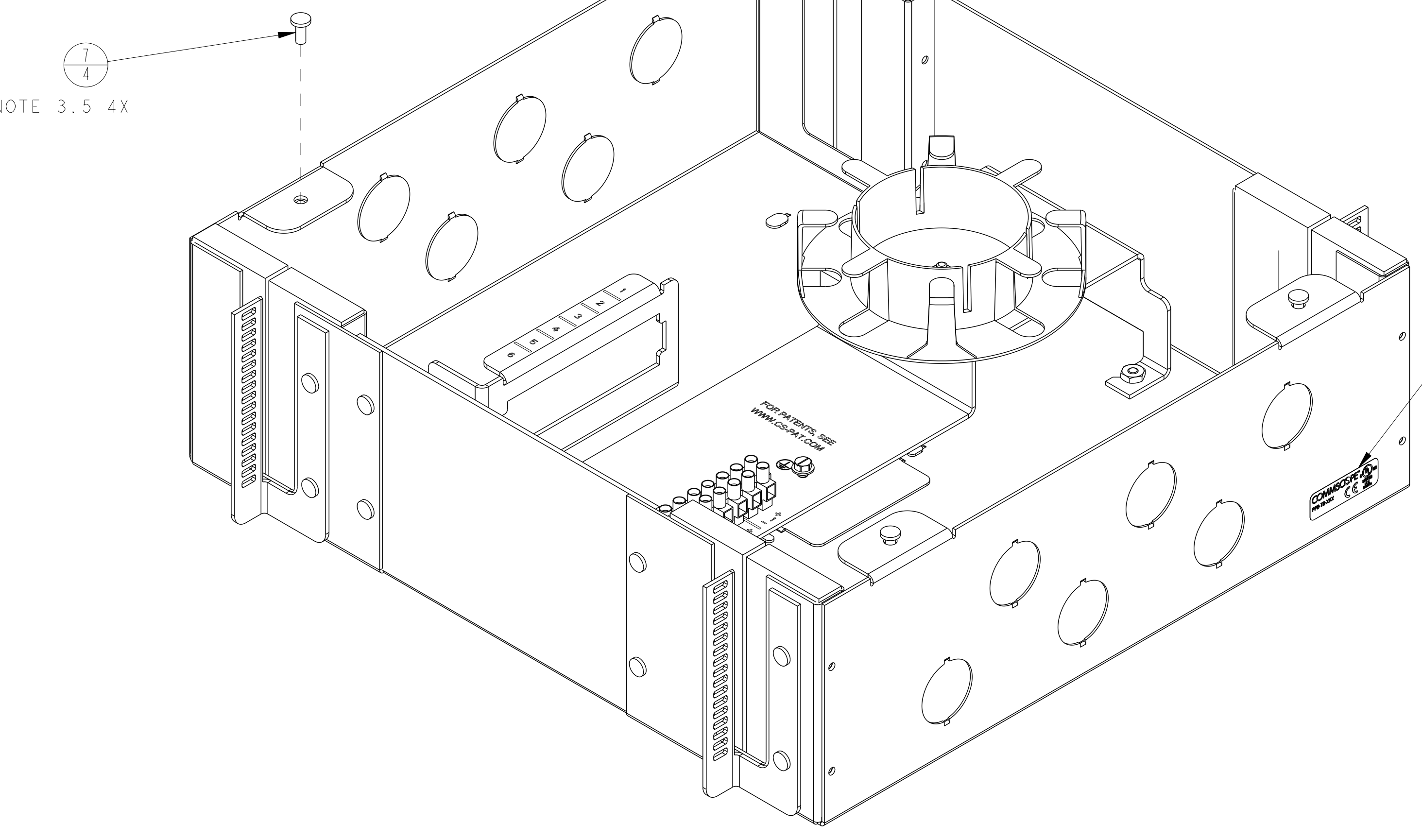
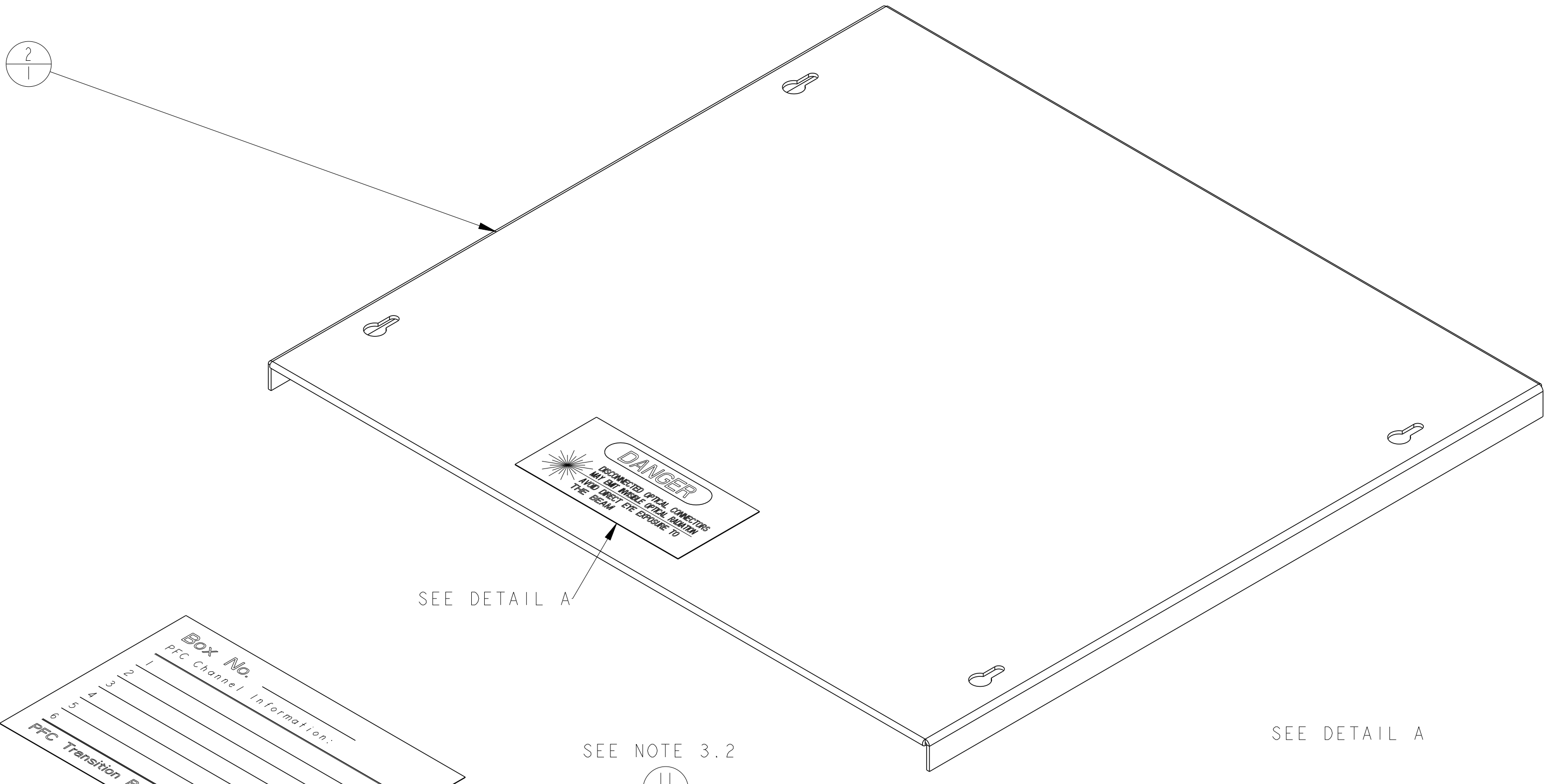
COMMSCOPE, INC.									
TOLERANCES					SAP MATERIAL MASTER				
FINISH					MATERIAL				
UNLESS OTHERWISE SPECIFIED DIMENSIONS ARE IN MILLIMETERS	DRAFTER			TINA ZHOU		TITLE			
	CHECKER			KEITH SCOTT		ASSEMBLY, PFC TRANSITION BOX, PLENUM			
	ENGINEER			KEITH SCOTT		SIZE	SCALE	DOCUMENT NO.	
	CMO			40132708CMO		A	11:16	A20110276	
ALL SURFACES		WORK AREA: ISPC			MODEL			DRAWING	
✓	⊕	⊖	⊗	⊘	VERSION	STATUS	REVISION	VERSION	STATUS
					07			04	RE C
								SHEET 1 OF 3	

© 2021 CommScope, Inc. Confidential
 NOTICE: These drawings and specifications are the proprietary property of COMMSCOPE, INC. and may be used only for the specific purpose authorized in writing by COMMSCOPE, INC.

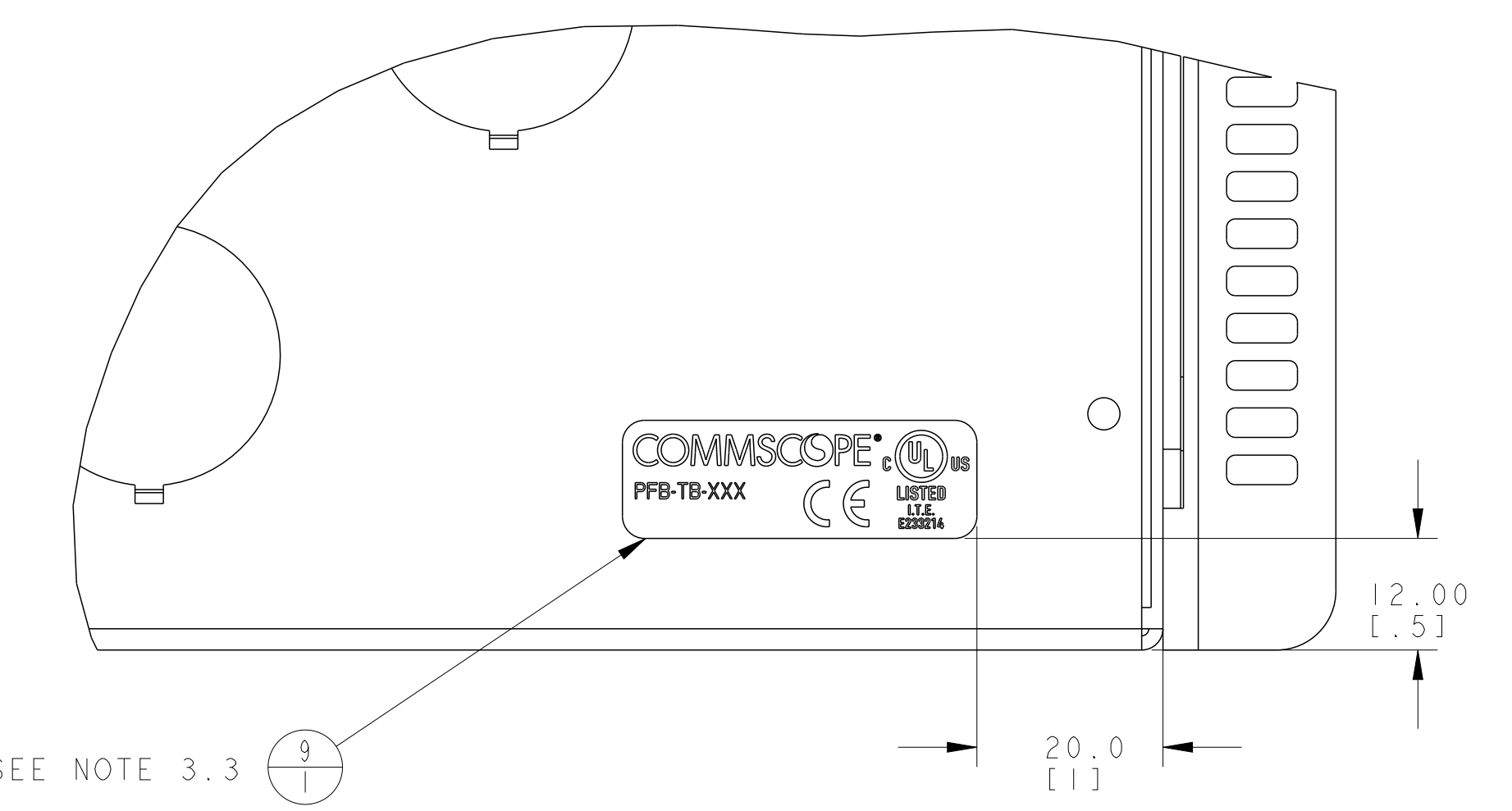


COMMSCOPE, INC.					
TITLE ASSEMBLY, PFC TRANSITION BOX, PLENUM					
SIZE	SCALE	DOCUMENT NO.			
A	11:16	A20110276			
DRAWING					SHEET
VERSION			STATUS	REVISION	2 OF 3
04			RE	C	

© 2021 CommScope, Inc. Confidential
 NOTICE: These drawings and specifications are the proprietary property of COMMSCOPE, INC. and may be used only for the specific purpose authorized in writing by COMMSCOPE, INC.



DETAIL A



DETAIL B
SCALE 3:2

COMMSCOPE, INC.			
TITLE ASSEMBLY, PFC TRANSITION BOX, PLENUM			
SIZE A	SCALE 11:16	DOCUMENT NO. A20110276	
DRAWING VERSION STATUS REVISION			SHEET 3 OF 3
04 RE C			

© 2021 CommScope, Inc. Confidential
NOTICE: These drawings and specifications are the proprietary property of COMMSCOPE, INC. and may be used only for the specific purpose authorized in writing by COMMSCOPE, INC.