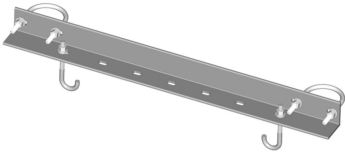


WB-CS24-3



Safety Grated Channel Support, 24 in wide for 3-1/2 in OD pipe

Product Classification

Product Type Support bracket

General Specifications

Application Waveguide bridge kit, 24 in

Mounting Pipe, 88.9 mm (3-1/2 in) OD

Dimensions

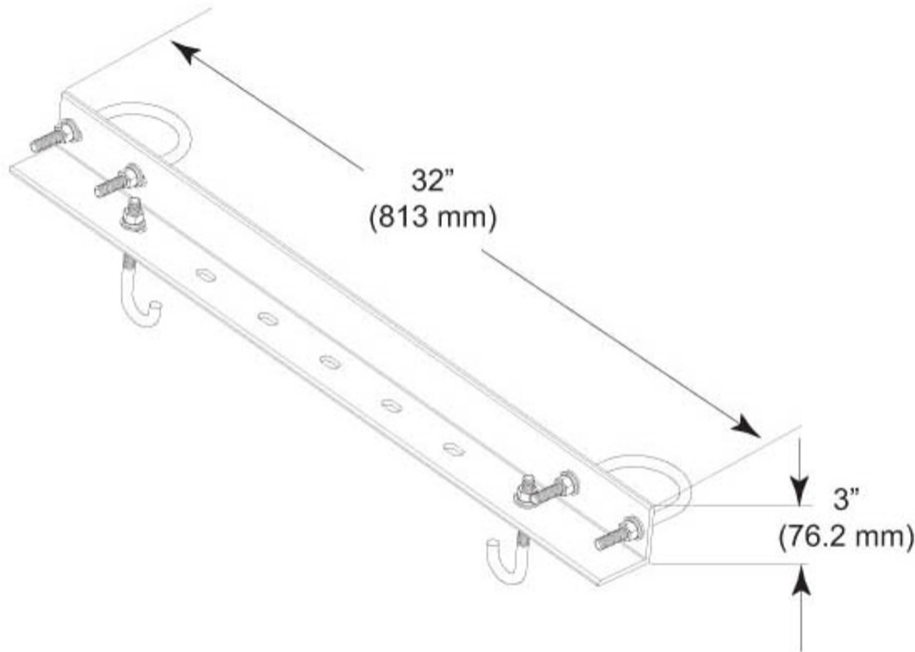
Height 101.6 mm | 4 in

Width 812.8 mm | 32 in

Length 101.6 mm | 4 in

WB-CS24-3

Outline Drawing



Material Specifications

Material Type Hot dip galvanized steel

Packaging and Weights

Included Channel support bracket | Hardware

Packaging quantity 1

Weight, net 8.2 kg | 18.078 lb

Regulatory Compliance/Certifications

Agency	Classification
CHINA-ROHS	Above maximum concentration value
ISO 9001:2015	Designed, manufactured and/or distributed under this quality management system
ROHS	Compliant/Exempted
UK-ROHS	Compliant

