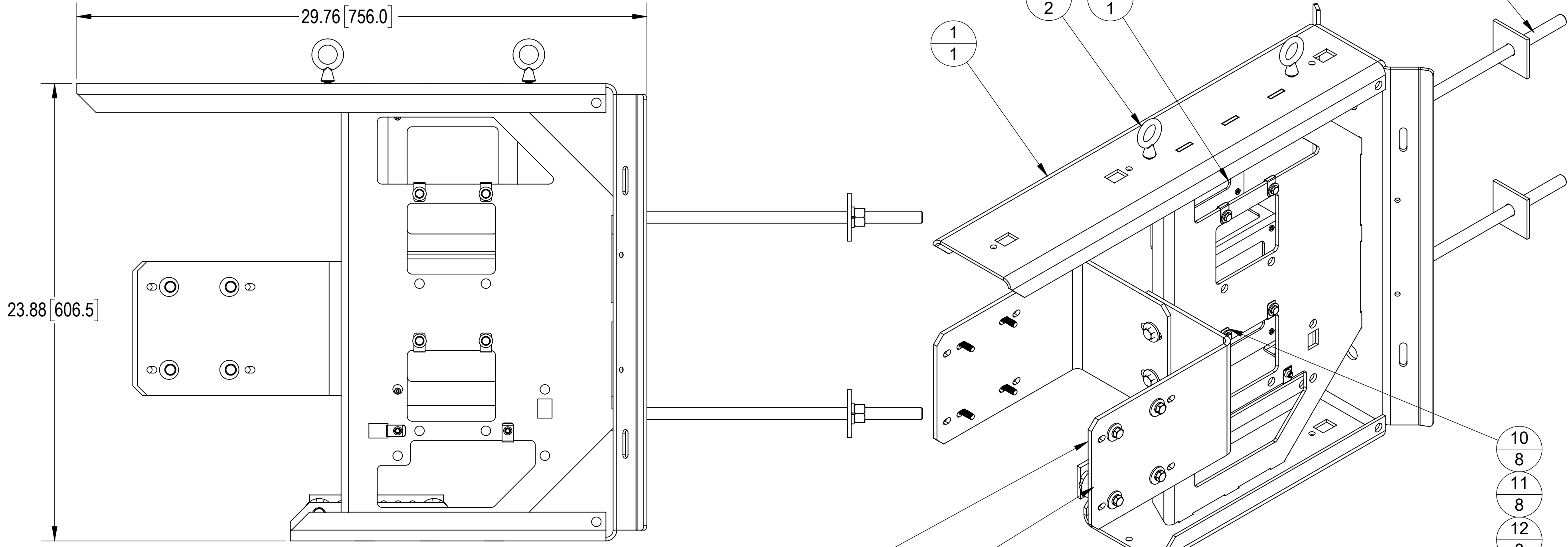


REVISIONS				
REV.	ECN	DESCRIPTION	BY	DATE
A	8000033836	INITIAL RELEASE	GR1010	09-JAN-19
B	8000045024	REPLACED MTM1057-1102 WITH MTM1057-1104	DM1121	1/26/2021

- NOTES:
- GENERAL NOTES
 - ALL METRIC DIMENSIONS ARE IN BRACKETS.
 - FEATURES CRITICAL TO QUALITY ARE INDICATED IN ROUNDED BOX (XX)
 - DESIGN NOTES
 - MANUFACTURING/SPECIAL REQUIREMENT
 - TEST
 - PACKAGING
 - BAG AND TAG ITEMS INDICATED AND HARDWARE SHOWN.
PACKAGE IN BOX FOR CUSTOMER INSTALLATION USING PARTS AND HARDWARE PROVIDED AND AS SHOWN IN ASSEMBLY VIEWS.
 - PRINTED DOCUMENT TO BE PLACED INSIDE SHIPPING BOX.
 - HARDWARE IS FOR CUSTOMER INSTALLATION SPARES MAY BE INCLUDED.
 - OTHER BOX SIZES MAY BE SUBSTITUTED FOR ITEM SHOWN.



ITEM NO.	PART NUMBER	DESCRIPTION	BOM/QTY.	NOTE
1	MTM1057-1000	WELDMENT, RRU & PSU COMBO MOUNT	1	
2	MTM1057-1104	BRACKET, RADIO MOUNT	2	
3	MTM1057-1103	BRACKET, PSU MOUNT	1	
4	MTM1018PHW	METROCELL COMBO BRACKET, POLE MOUNT HARDWARE	1	
5	MTC388804	6 POSITION GROUND BAR 2" X 7", COPPER	1	
6	MT520	INSULATOR W/ 3/8" INSERT	2	
7	SWL-03	3/8" SS LOCK WASHER	4	
8	SB0305	3/8" X 5/8" SS BOLT	4	
9	3014T954	3/8"-16 THREAD EYEBOLT	2	
10	460143456	CLIP NUT, M6, 316 SST	8	5.1,5.3
11	100525-71	WSHR,FLAT,M6,6.4X18X1.6,SST,PASS	8	5.1,5.3
12	100522-90	WSHR,LK,SPLT, M6,SST, PASS	8	5.1,5.3
13	MTC9414	BOLT, HEX HEAD M6 X20MM STAINLESSSTEEL	8	5.1,5.3
14	MTC978706	SS WASHER FLAT, M10	2	5.1,5.3
15	MTC978704	M10 SS LOCK WASHER	2	5.1,5.3
16	GB-03145	3/8" X 1-1/2" GALV BOLT KIT	2	5.1,5.3
17	GWFM-8	GALV WASHER FLAT, M8	8	5.1,5.3
18	GWLM-8	8mm GALV. LOCK WASHER	8	5.1,5.3
19	MTC9415	M8 X 25mm HEX BOLT SS	8	5.1,5.3
9000	SSC-760239913NS	REFERENCE DOCUMENT	1	5.2

- 2
- 2
- 14
- 2
- 15
- 2
- 16
- 2
- 17
- 8
- 18
- 8
- 19
- 8

- 5
- 1
- 6
- 2
- 7
- 4
- 8
- 4

- 4
- 1
- 10
- 8
- 11
- 8
- 12
- 8
- 13
- 8

DENSITY	0.27	lbs/in ³
MASS	67.39	lbs
VOLUME	245.83	in ³
SURFACE AREA	2654.99	in ²
HEIGHT	23.9	
LENGTH	29.8	
WIDTH	8	

COMMSCOPE, INC. OF NORTH CAROLINA

TOLERANCES		SAP MATERIAL MASTER						
0 PLACE X ± 0.125	2 PLACE .XX ± 0.04	SSC-760239913NS						
1 PLACE .X ± 0.06	ANGLES ± 0.5°							
FINISH NONE		MATERIAL SEE BOM						
UNLESS OTHERWISE SPECIFIED DIMENSIONS ARE IN MILLIMETERS INTERPRET PER ISO STANDARDS HANDBOOK TECHNICAL DRAWINGS VOLUMES 1 & 2, THIRD EDITION (2002)		NAME	DATE	TITLE				
		CE GR1010	15-JAN-201	METROCELL, WOODPOLE, FOR ERC RRU				
		RW SF1043	01/27/2021					
		RV						
AD LMCDOWEL	01/27/2021							
RE SF1043	01/27/2021	SCALE 1:4	DOCUMENT NO. SSC-760239913NS					
ECN 008000045024	SIZE WORK AREA 24	MODEL		DRAWING	SHEET			
C		VERSION 01	STATUS RE	REVISION B	VERSION 02	STATUS RE	REVISION B	1 OF 5

4

3

2

1

D

D

C

C

B

B

A

A

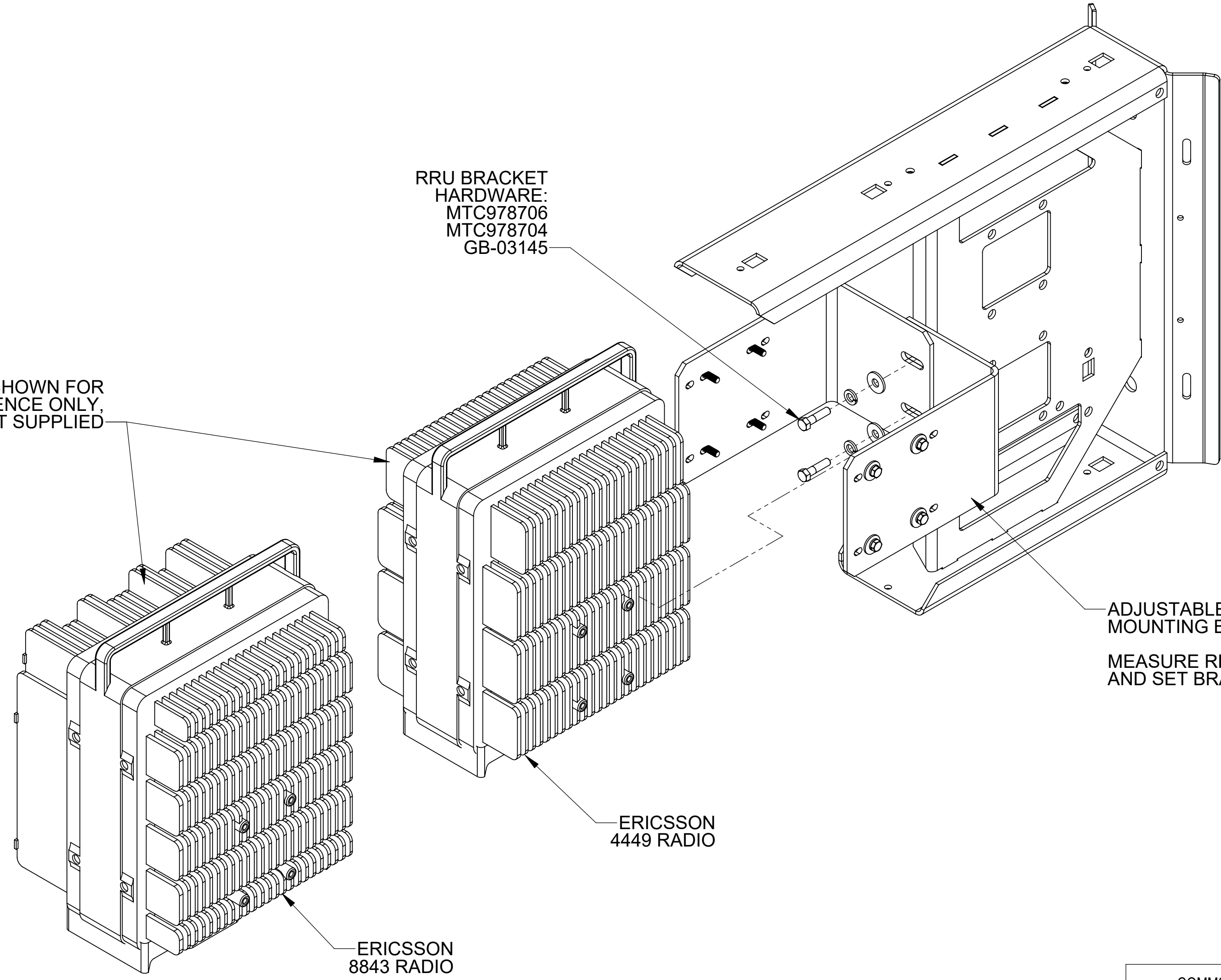
RADIOS SHOWN FOR
REFERENCE ONLY,
NOT SUPPLIED

RRU BRACKET
HARDWARE:
MTC978706
MTC978704
GB-03145

ADJUSTABLE RRU
MOUNTING BRACKETS
MEASURE RRU WIDTH
AND SET BRACKET WIDTH

ERICSSON
4449 RADIO

ERICSSON
8843 RADIO


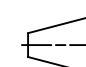


RADIO INSTALLATION

COMMSCOPE, INC. OF NORTH CAROLINA

TITLE
METROCELL, WOODPOLE BRKT, FOR ERC RRU

SIZE C	SCALE 1:4	DOCUMENT NO. SSC-760239913NS
------------------	---------------------	--

 	DRAWING			SHEET 2 OF 5
	VERSION 02	STATUS RE	REVISION B	

© 2020 CommScope, Inc. Confidential

4

3

2

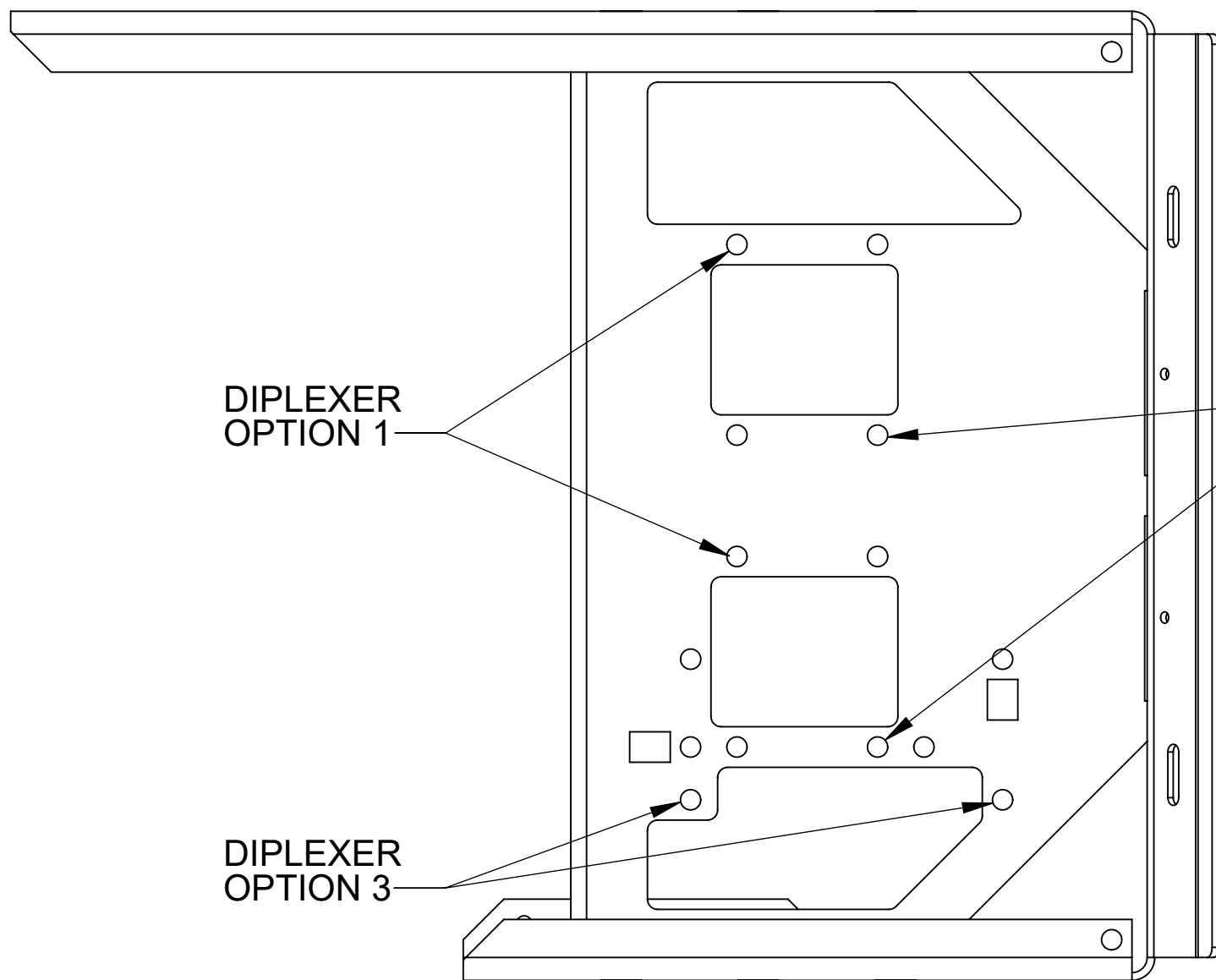
1

4

3

2

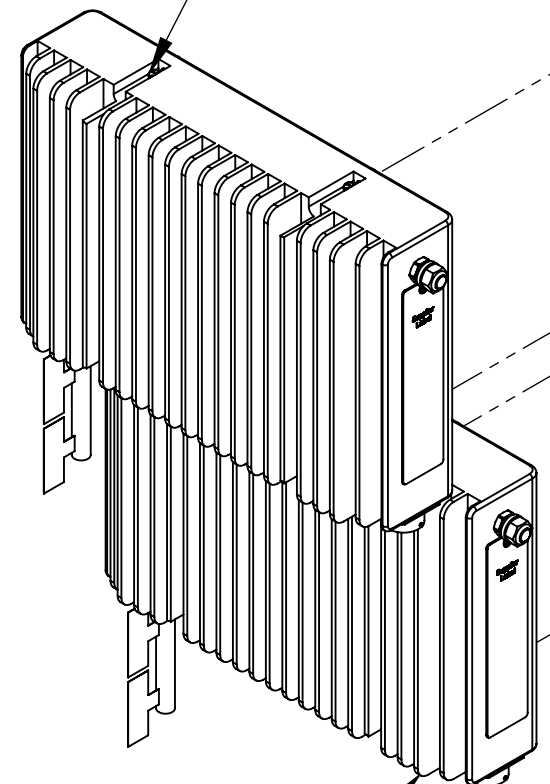
1



DIPLEXER ORIENTATION

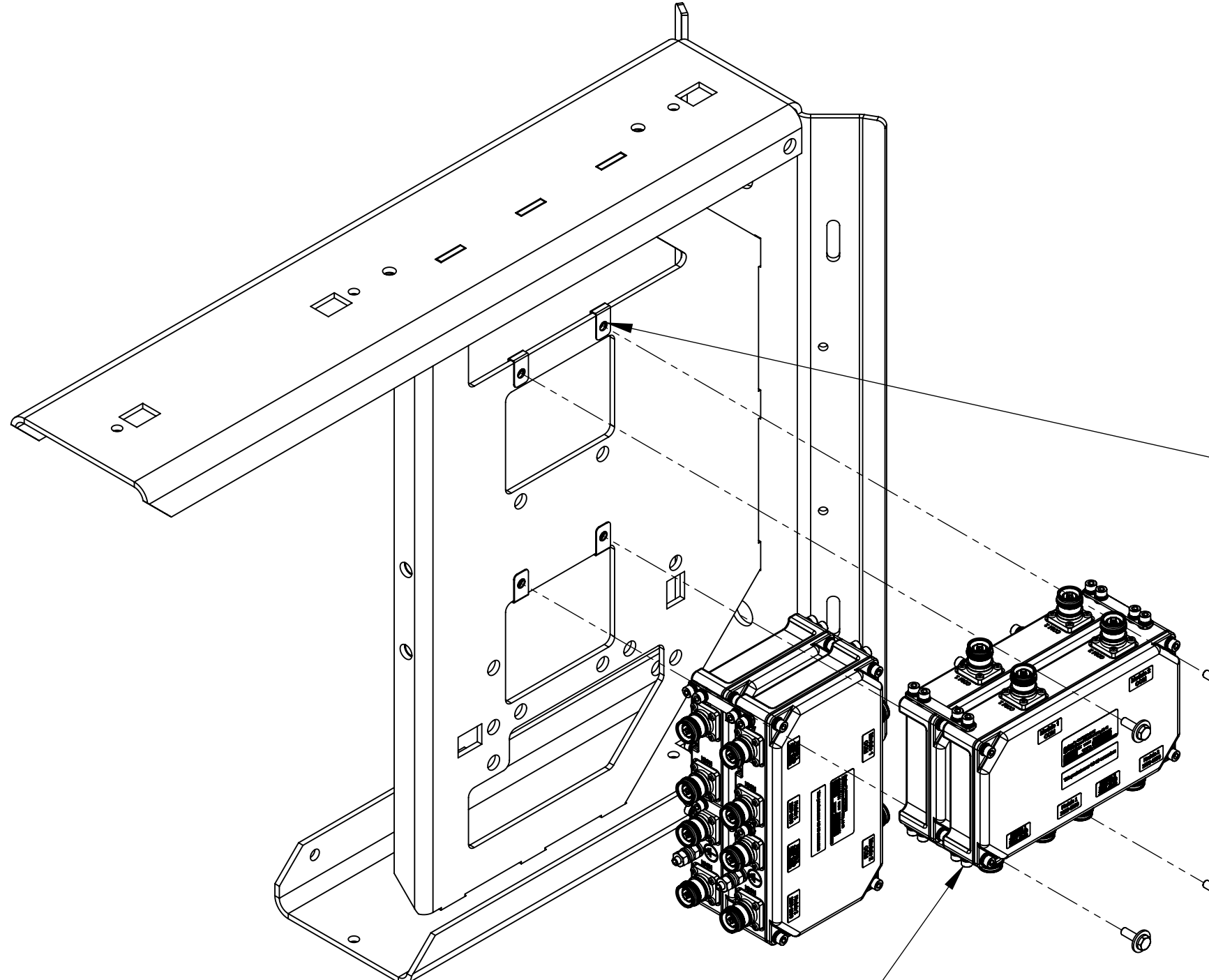
MOUNT PSU TO PLATE USING 4 CAPTIVE BOLTS

MOUNT PSU PLATE TO POLE MOUNT USING HARDWARE:
460143456
100525-71
100522-90
MTC9414



PSU INSTALLATION

MOUNT GROUND BAR USING HARDWARE:
MT520
SWL-03
SB0305



DIPLEXER REFERENCE ONLY

DIPLEXER INSTALLATION

COMMSCOPE, INC. OF NORTH CAROLINA				
TITLE METROCELL, WOODPOLE BRKT, FOR ERC RRU				
SIZE C	SCALE 1:4	DOCUMENT NO. SSC-760239913NS		
		DRAWING		SHEET
		VERSION 02	STATUS RE	REVISION B
				3 OF 5

4

3

2

1

4

3

2

1

D

D

C

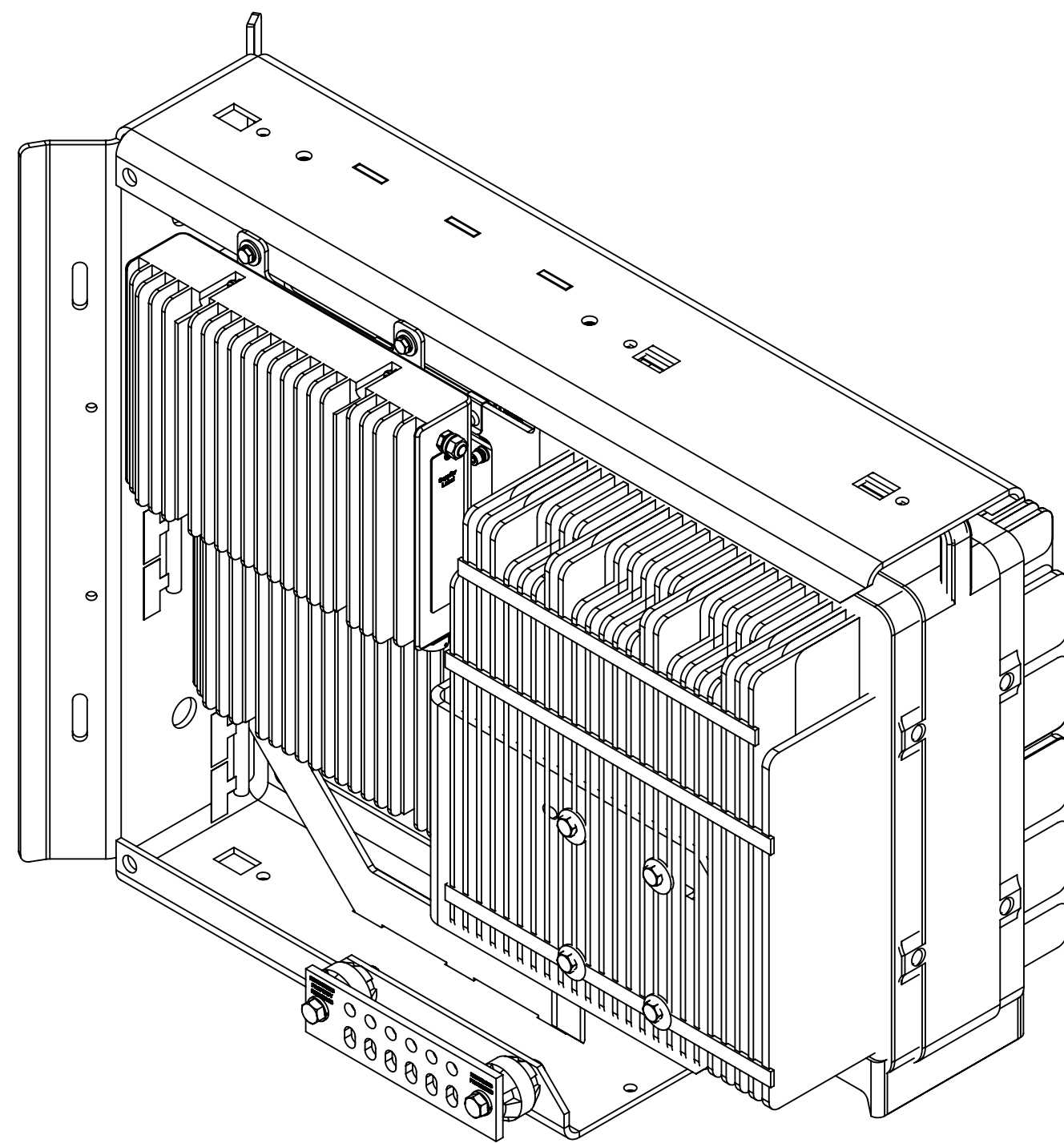
C

B

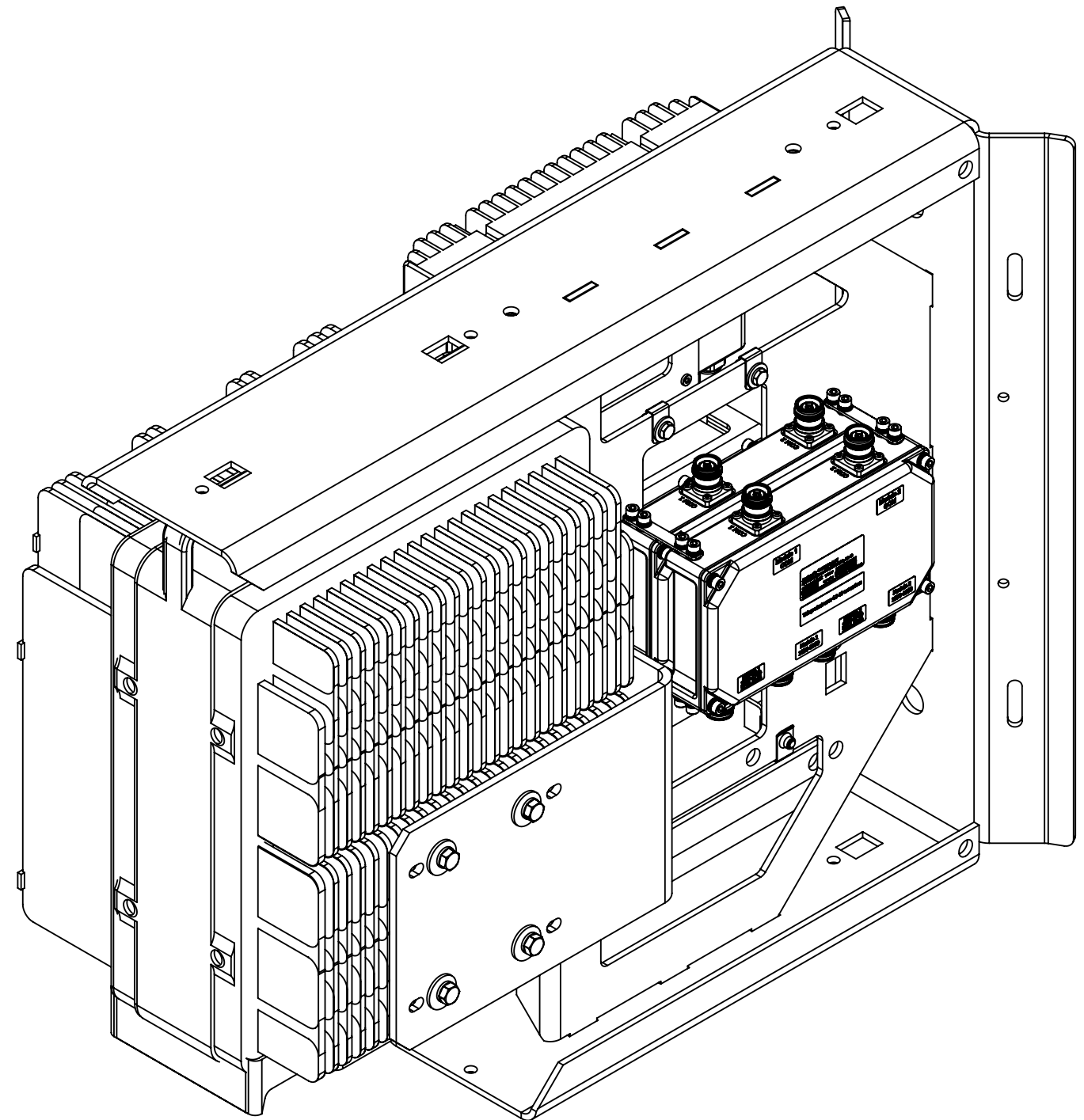
B

A

A



ALL EQUIPMENT


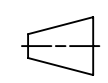


ALL EQUIPMENT

COMMSCOPE, INC. OF NORTH CAROLINA

TITLE
METROCELL, WOODPOLE BRKT, FOR ERC RRU

SIZE C	SCALE 1:4	DOCUMENT NO. SSC-760239913NS
------------------	---------------------	--

 	DRAWING			SHEET 4 OF 5
	VERSION 02	STATUS RE	REVISION B	

© 2020 CommScope, Inc. Confidential

4

3

2

1

4

3

2

1

D

D

C

C

B

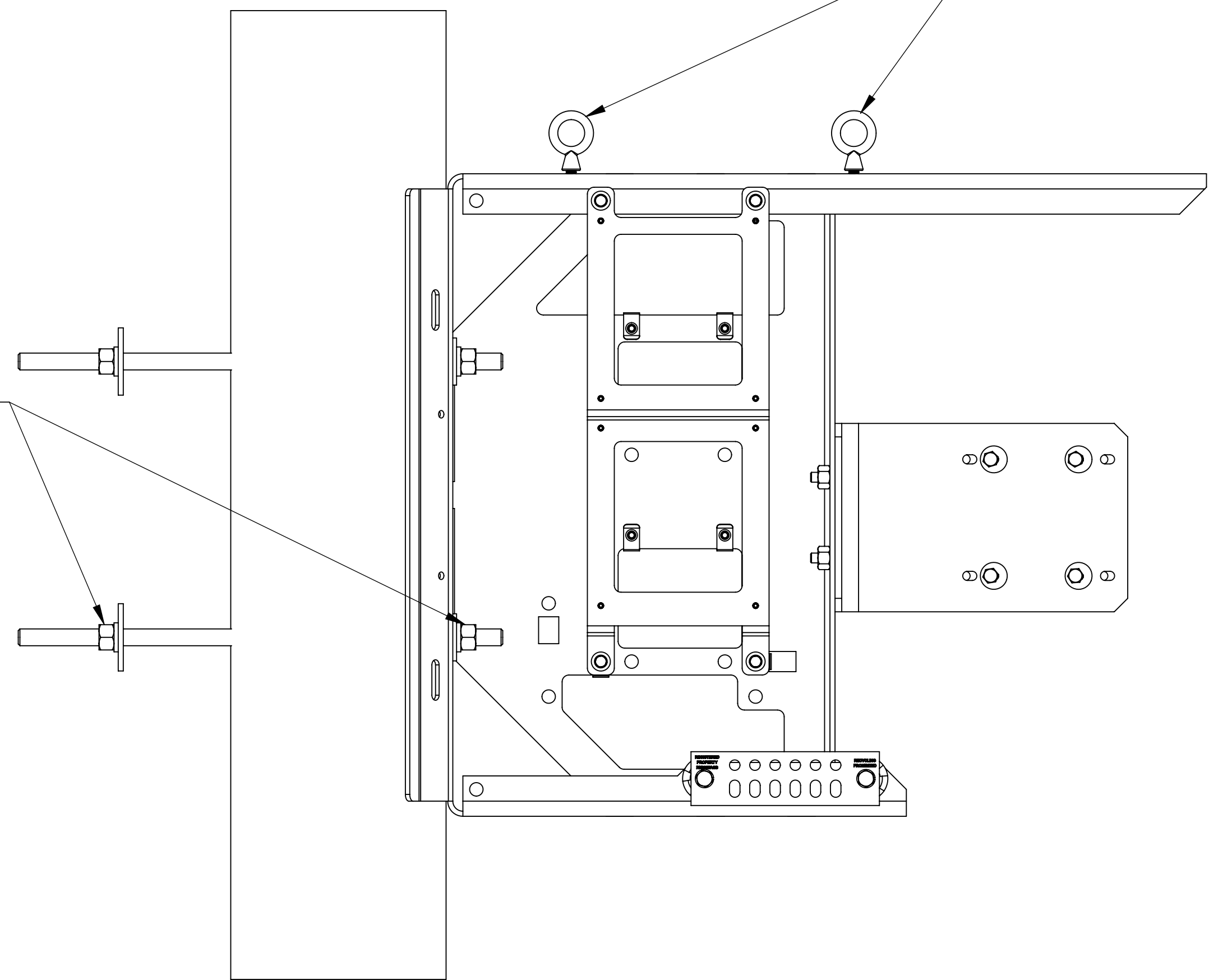
B

A

A

SECURE TO
WOOD POLE
INSTALL BACK COVER

LIFT ASSEMBLY
USING EYEBOLTS



COMMSCOPE, INC. OF NORTH CAROLINA				
TITLE				
METROCELL, WOODPOLE BRKT, FOR ERC RRU				
SIZE	SCALE	DOCUMENT NO.		
C	1:4	SSC-760239913NS		
		DRAWING		SHEET
		VERSION	STATUS	REVISION
		02	RE	B
				5 OF 5

© 2020 CommScope, Inc. Confidential

4

3

2

1

