



UHF Male for 1/4 in FSJ1-50A cable

Product Classification

Product Type Wireless and radiating connector

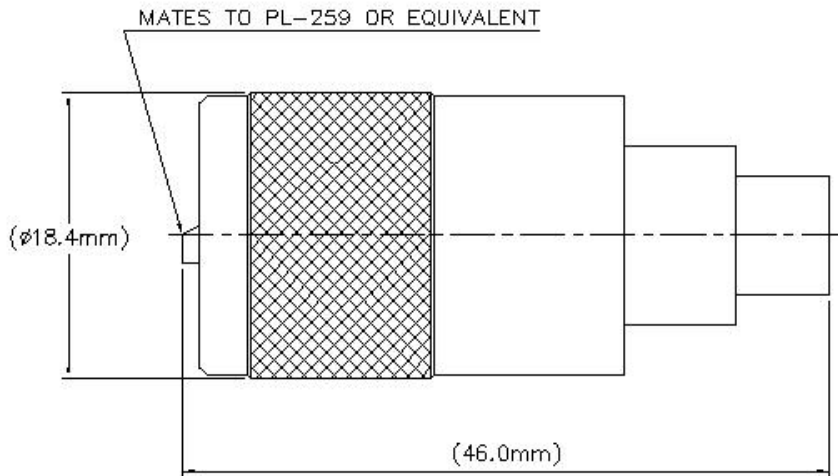
General Specifications

Body Style Straight
Cable Family FSJ1-50A
Inner Contact Plating Silver
Interface UHF Male
Mounting Angle Straight
Outer Contact Plating Nickel
Pressurizable No

Dimensions

Height 18.54 mm | 0.73 in
Width 18.54 mm | 0.73 in
Length 43.69 mm | 1.72 in
Diameter 18.54 mm | 0.73 in
Nominal Size 1/4 in

Outline Drawing



Electrical Specifications

3rd Order IMD at Frequency	-112 dBm @ 910 MHz
3rd Order IMD Test Method	Two +43 dBm carriers
Average Power at Frequency	0.4 kW @ 900 MHz
Cable Impedance	50 ohm
Connector Impedance	50 ohm
Operating Frequency Band	0 – 3000 MHz

VSWR/Return Loss

Frequency Band	VSWR	Return Loss (dB)
45–400 MHz	1.152	23.02

Mechanical Specifications

Connector Retention Tensile Force	449.27 N 101 lbf
Interface Durability	500 cycles
Interface Durability Method	IEC 61169-4:17
Mechanical Shock Test Method	IEC 60068-2-27

Environmental Specifications

41SP

Operating Temperature	-55 °C to +85 °C (-67 °F to +185 °F)
Storage Temperature	-65 °C to +125 °C (-85 °F to +257 °F)
Attenuation, Ambient Temperature	20 °C 68 °F
Average Power, Ambient Temperature	40 °C 104 °F
Average Power, Inner Conductor Temperature	100 °C 212 °F
Corrosion Test Method	IEC 60068-2-11
Moisture Resistance Test Method	IEC 60068-2-3
Thermal Shock Test Method	IEC 60068-2-14
Vibration Test Method	IEC 60068-2-6

Packaging and Weights

Weight, net	61 g 0.134 lb
--------------------	-----------------

Regulatory Compliance/Certifications

Agency	Classification
CHINA-ROHS	Below maximum concentration value
ISO 9001:2015	Designed, manufactured and/or distributed under this quality management system
REACH-SVHC	Compliant as per SVHC revision on www.commscope.com/ProductCompliance
ROHS	Compliant
UK-ROHS	Compliant

