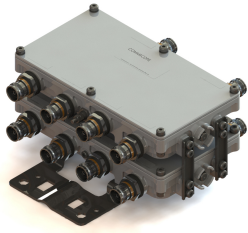


# E14F06P31

---



Ultra Compact Quad Diplexer, 3700–3800/3900–4100 MHz, DC Block, with 4.3-10 connectors

- Industry leading PIM performance
- New 4.3-10 connectors for improved PIM performance and size reduction
- dc/AISG blocking on all ports
- New Combining Solution to introduce 5G, 3.5GHz band
- Compact form factor with reduced size and weight

## Product Classification

**Product Type** Diplexer

## General Specifications

**Color** Gray

**Modularity** 2-Twin

**Mounting** Pole | Wall

**Mounting Pipe Hardware** Band clamps (2)

**RF Connector Interface** 4.3-10 Female

## Dimensions

**Height** 92 mm | 3.622 in

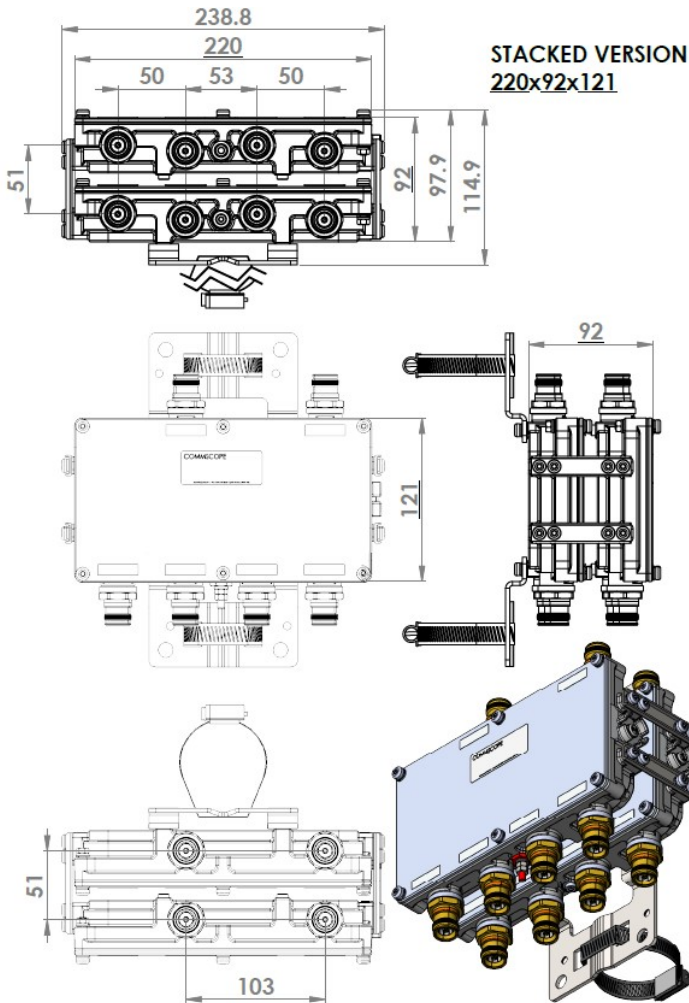
**Width** 220 mm | 8.661 in

**Depth** 121 mm | 4.764 in

**Mounting Pipe Diameter Range** 42.6–122 mm

## Outline Drawing

# E14F06P31



## Electrical Specifications

**Impedance** 50 ohm

## Electrical Specifications, dc Power/Alarm

**dc/AISG Pass-through Method** No dc/AISG pass-through

## Electrical Specifications

<b>Sub-module</b>	1   2	1   2
<b>Branch</b>	1	2
<b>Port Designation</b>	PORT 1 3700-3800	PORT 2 3900-4100

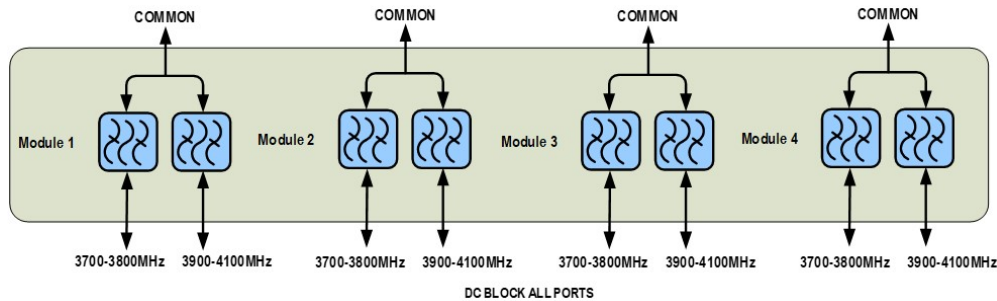
## Electrical Specifications, Band Pass

<b>Frequency Range, MHz</b>	<b>3700-3800</b>	<b>3900-4100</b>
-----------------------------	------------------	------------------

# E14F06P31

<b>Insertion Loss, typical, dB</b>	0.4	0.4
<b>Return Loss, typical, dB</b>	20	20
<b>Isolation, typical, dB</b>	35	35
<b>Input Power, RMS, maximum, W</b>	100	100
<b>Input Power, PEP, maximum, W</b>	1000	1000
<b>3rd Order PIM, maximum, dBc</b>	-150	-150
<b>3rd Order PIM Test Method</b>	Two +43 dBm carriers	Two +43 dBm carriers

## Block Diagram



## Environmental Specifications

<b>Operating Temperature</b>	-40 °C to +65 °C (-40 °F to +149 °F)
<b>Corrosion Test Method</b>	IEC 60068-2-11, 30 days
<b>Environmental Test Method</b>	ETSI EN 300 019-1-4
<b>Ingress Protection Test Method</b>	IEC 60529:2001, IP67

## Packaging and Weights

<b>Included</b>	Mounting hardware
<b>Volume</b>	2.45 L
<b>Weight, net</b>	4.8 kg   10.582 lb
<b>Weight, without mounting hardware</b>	4.5 kg   9.921 lb