

4

3

2

1

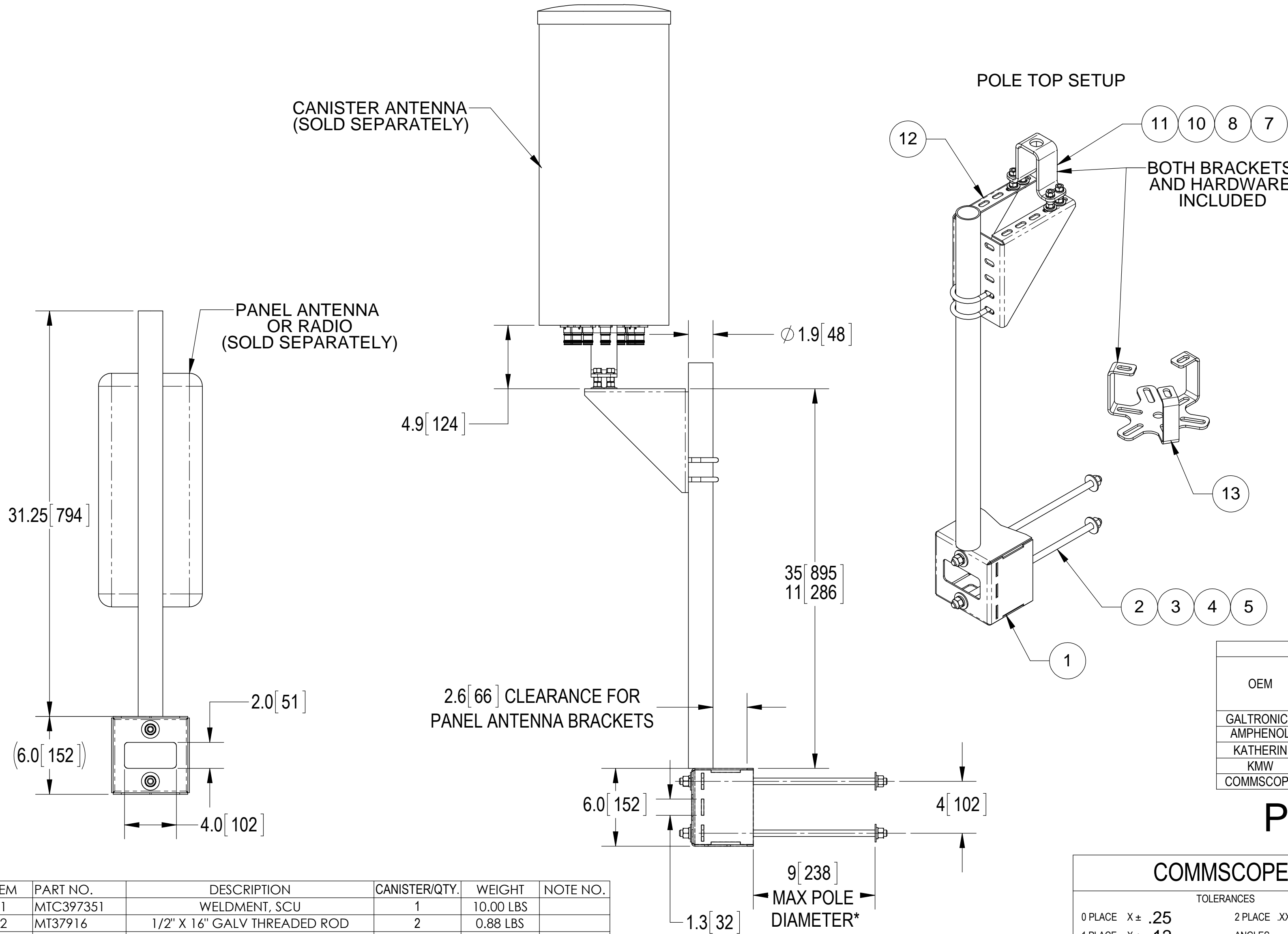
NOTES:

- 1.0 ALL METRIC DIMENSIONS ARE IN BRACKETS
- 2.0 FOR COLOR INFORMATION, REFER TO DRAWING MTM1004

REVISIONS				
REV.	ECN	DESCRIPTION	BY	DATE
A	8000029594	INITIAL RELEASE	RJC	04/30/18

12" STANDOFF SETUP

POLE TOP SETUP



COMPATIBLE ANTENNAS			
OEM	MODELS	U BRACKET	UNIVERSAL ANTENNA MOUNT
GALTRONICS	P6480i	x	
AMPHENOL	CUUT070X06Fxyz0		x
KATHERIN	80010783 / 80010784		x
KMW	FX-OM2L10H2	x	x
COMMSCOPE	(RR) / VVSP-360S-F		x

PATENT PENDING

ITEM	PART NO.	DESCRIPTION	CANISTER/QTY.	WEIGHT	NOTE NO.
1	MTC397351	WELDMENT, SCU	1	10.00 LBS	
2	MT37916	1/2" X 16" GALV THREADED ROD	2	0.88 LBS	
3	GWL-04	1/2" GALV LOCK WASHER	4	0.01 LBS	
4	GN-04	1/2" GALV HEX NUT	4	0.04 LBS	
5	GWF-04	1/2" GALV FLAT WASHER	4	0.03 LBS	
6	GUB3230	3/8" X 2" X 3" GALV U-BOLT	2	0.24 LBS	
7	SWL-03	3/8" SS LOCK WASHER	8	0.01 LBS	
8	SN-03	3/8" SS HEX NUT	12	0.02 LBS	
9	SB-0316	3/8" X 1-3/4" SS BOLT	4	0.07 LBS	
10	GWF-03	3/8" GALV FLAT WASHER	8	0.01 LBS	
11	MTC401217	U BRACKET, GALETRONICS ANT	1	1.53 LBS	
12	MTC397349	BRACKET, ANTENNA MOUNTING, SCU	1	4.12 LBS	
13	MTC401211	UNIVERSAL ANTENNA MOUNT	1	2.27 LBS	

*FOR POLES UP TO 13",
FLIP MTC397351 180 DEGREES
AND MOUNT TO TOP OF POLE

DENSITY	0.28	lbs/in ³
MASS	28.20	lbs
VOLUME	99.41	in ³
SURFACE AREA		in ²
HEIGHT		
LENGTH		
WIDTH		

COMMSCOPE, INC. OF NORTH CAROLINA

TOLERANCES: 0 PLACE X ± .25, 1 PLACE X ± .12, 2 PLACE .XX ± .06, ANGLES ± 2°

SAP MATERIAL MASTER: SEE NOTE

FINISH: GALV A123; MATERIAL: A500, A1011/A1018

NAME	DATE	TITLE
CE FA	3/28/18	SMALL CELL UNIVERSAL MOUNT
RW		
RV		
AD		
RE TP	3/28/18	
ECN	8000029174	

SCALE: 1:6; DOCUMENT NO.: SCU

SIZE	WORK AREA	MODEL	DRAWING				SHEET	
C		VERSION	STATUS	REVISION	VERSION	STATUS	REVISION	1 OF 1
							A	