

4

3

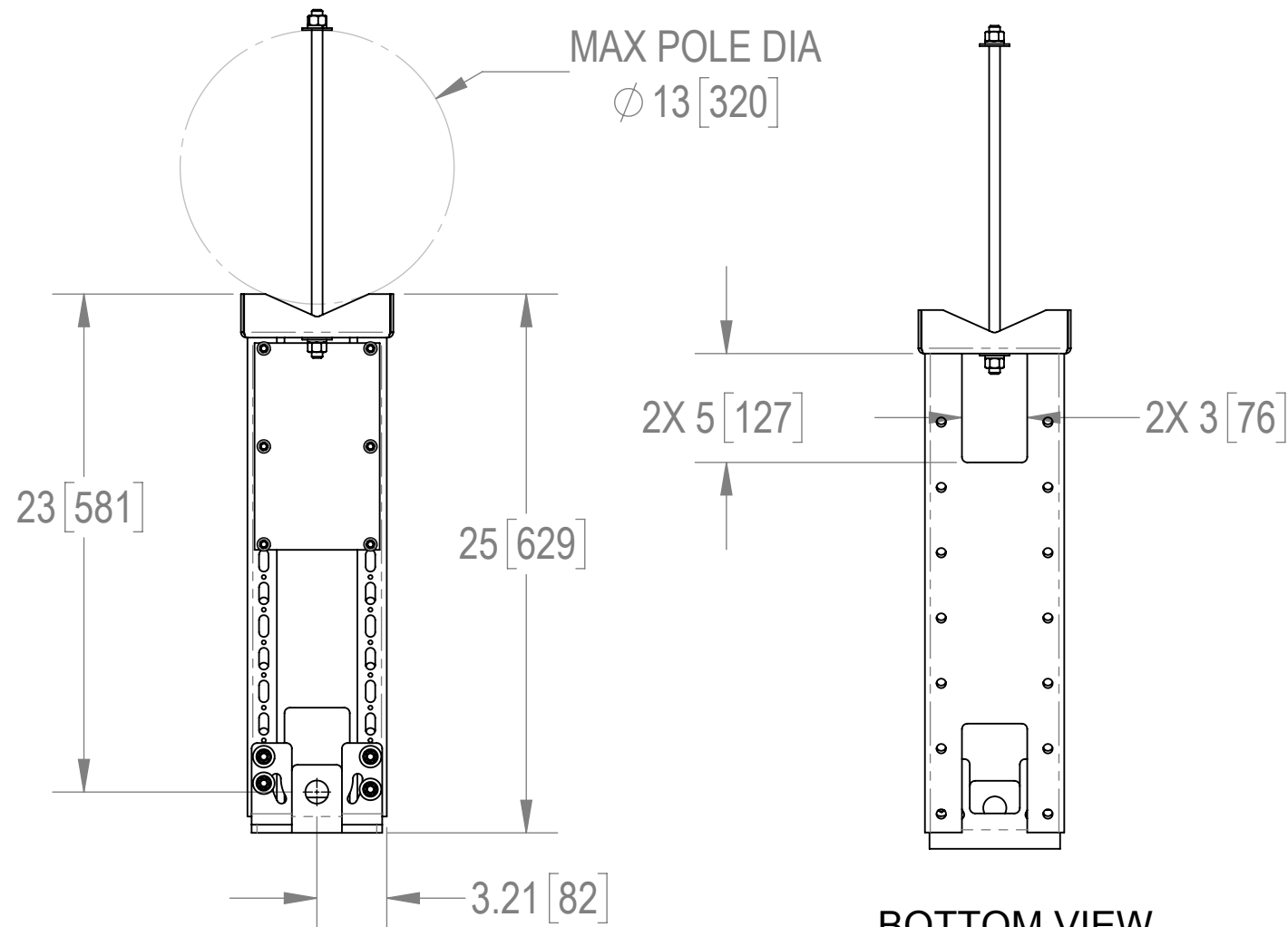
2

1

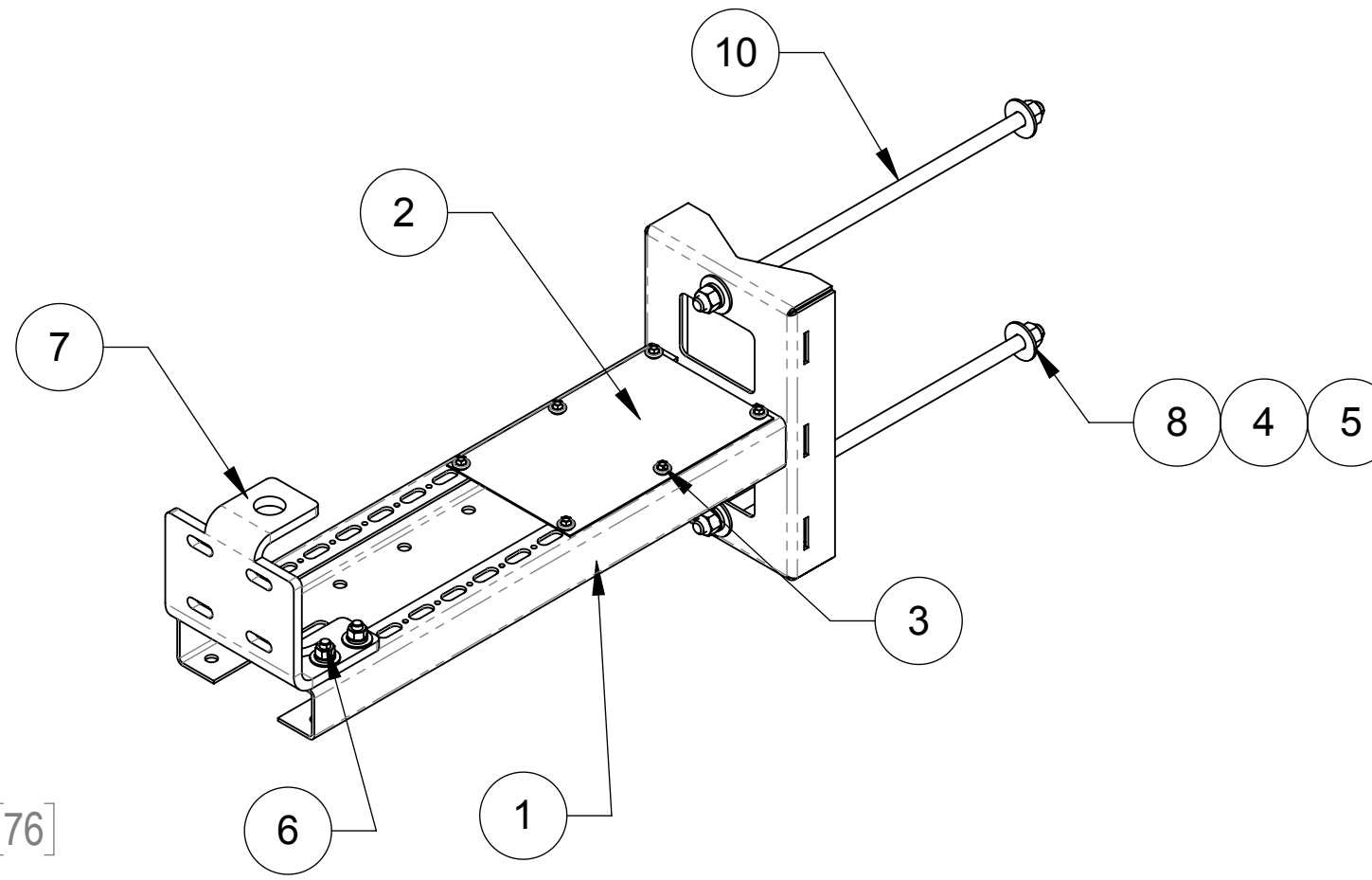
- NOTES:
- 1.0 GENERAL
 - 1.1 ALL METRIC DIMENSIONS ARE IN BRACKETS
 - 1.2 FOR PATENT INFO :<https://www.commscope.com/ProductPatent/ProductPatent.aspx>
 - 1.3 PART NO SCSM2B DOES NOT INCLUDE ANTENNA MOUNTING HARDWARE
 - 2.0 DESIGN NOTES
 - 2.1 FOR COLOR INFORMATION, REFER TO DRAWING MTM1004
 - 2.2 FOR PANEL ANTENNA, MAX EPA - 2.9 SQ-FT
 - 2.3 ONLY U-BOLT PROVIDED FOR PANEL ANTENNA
 - 3.0 MANUFACTURING/SPECIAL REQUIRMENTS
 - 4.0 TEST
 - 5.0 PACKAGING

GALETRONICS ANTENNA BRACKET SET-UP

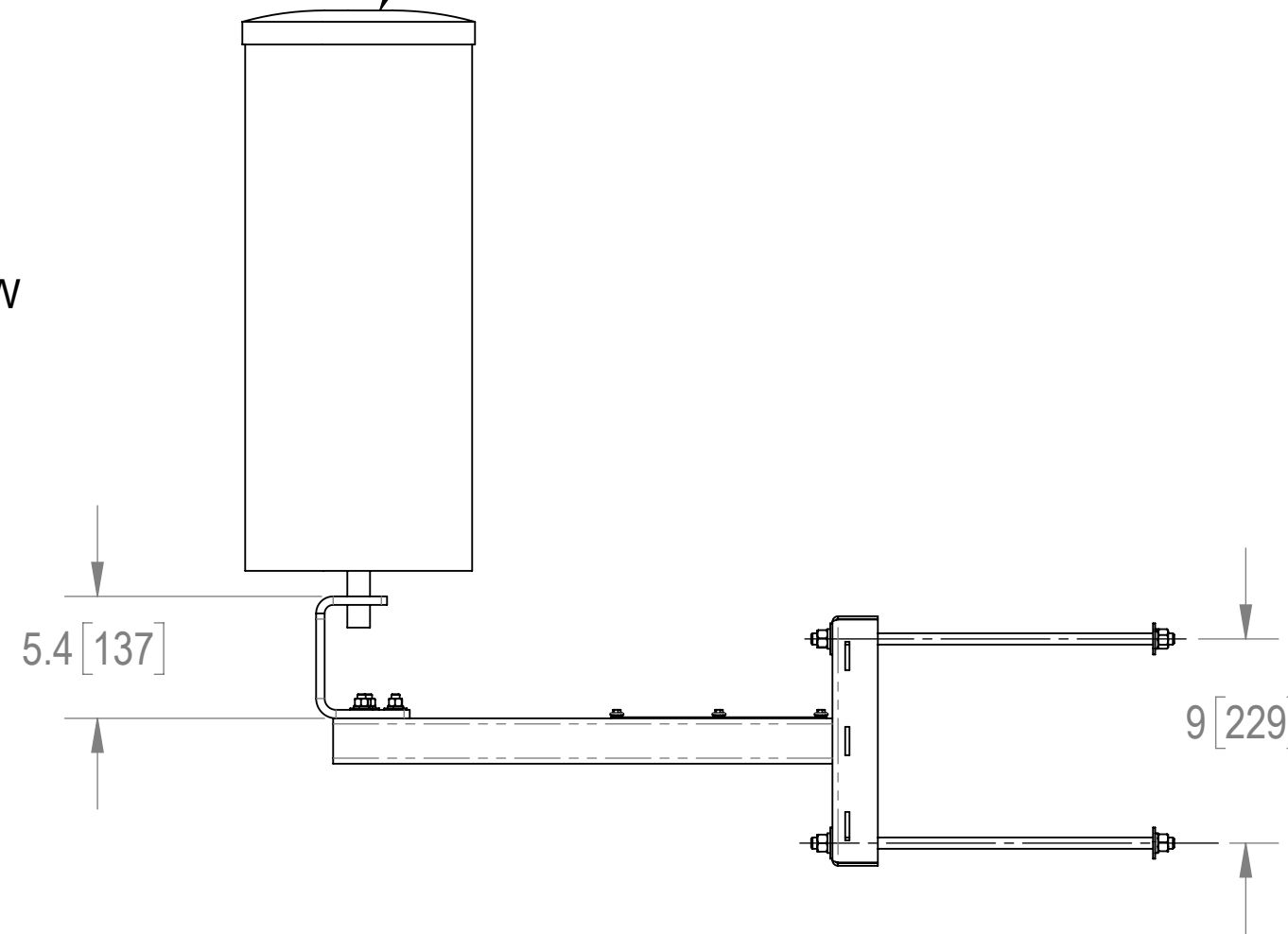
REVISIONS				
REV.	ECN	DESCRIPTION	BY	DATE
A	8000028011	INITIAL RELEASE	FA	01/17/18
B	8000028833	CHANGE Z BRKT TO U BRKT	FA	03/09/18
C	8000029974	CHANGE WIDTH OF CHANNEL AND U BRACKET	FA	5/31/2018
D	8000030749	COMBINED CANISTER AND PANEL ANTENNA BRKT	FA	7/16/2018
E	8000031690	ADD PANEL ANTENNA MTG & UPDATE FORMAT	FA	10/4/2018
F	8000034330	ADDED 2 ANTENNAS TO TABLE; FIX NOTE 1.3	RJC	03/11/19



BOTTOM VIEW



ANTENNA PROVIDED BY OTHERS



COMPATIBLE ANTENNAS			
OEM	MODELS	GALETRONICS BRACKET	UNIVERSAL ANTENNA MOUNT
GALTRONICS	P6480i	x	
GALTRONICS	GQ2410-06621	x	
KMW	FX-OM2L10H2	x	x
AMPHENOL	CUUT070X06Fxyz0		x
COMMSCOPE	CH360QS-DG-F2M		x
COMMSCOPE	(RR) / VVSP-360S-F		x
COMMSCOPE	NH360QS-DG-F0M		x
COMMSCOPE	NH360QS-F0M		x
COMMSCOPE	NH360QS-G-F0M		x
KATHERIN	80010783 /80010784		x
COMMSCOPE	NH180QS-DG-F0M		x
COMMSCOPE	NH65PS-DG-F0M		x
COMMSCOPE	V4PP-360S-F		x
GAMMA NU THETA	DOYZ9X360F12		x
AMPHENOL	C2U3MT360X06F00S0		x

PATENT PENDING

COMMSCOPE, INC. OF NORTH CAROLINA

TOLERANCES		SAP MATERIAL MASTER	
0 PLACE X ± .25	2 PLACE .XX ± 0.06	SCSM2	
1 PLACE .X ± 0.12	ANGLES ± 2°		
FINISH GALV A123		MATERIAL A1011/A1018	
UNLESS OTHERWISE SPECIFIED DIMENSIONS ARE IN INCHES INTERPRET PER ANSI Y 14.5M-1994		TITLE	
CE	FA1024	01/17/2018	SMALL CELL SIDE MOUNT, 24" STANDOFF
RW	BCAMPBELLCON	10/08/2018	
RV	MC1107	03/18/2019	
RE	BCAMPBELLCON	03/19/2019	
ECN 008000031690		SCALE 1:8	DOCUMENT NO. SCSM2
SIZE C	WORK AREA 24	DRAWING	
		VERSION 00	STATUS RE
		REVISION A	VERSION 02
		STATUS RE	REVISION F
		SHEET 1 OF 2	

ITEM	PART NO.	DESCRIPTION	QTY.	WEIGHT	NOTE NO.
1	MTC397307	WELDMENT, SCSM, 24" STANDOFF	1	11.45 LBS	
2	MTC397344	COVER, SCSM, 24" STANDOFF	1	0.74 LBS	
3	TS1275	TEK SCREW #12 X 3/4, WITH NEOPRENE WASHER	1	0.02 LBS	
4	GWL-04	1/2" GALV LOCK WASHER	4	0.01 LBS	
5	GN-04	1/2" GALV HEX NUT	4	0.04 LBS	
6	GB-03105	3/8" X 1" GALV BOLT KIT	4	0.05 LBS	NOT INCLUDED IN SCSM2B
7	MTC401218	MOUNT, PANEL/CANISTER ANTENNA	1	4.82 LBS	NOT INCLUDED IN SCSM2B
8	GWF-04	1/2" GALV FLAT WASHER	4	0.03 LBS	
9	GWF-03	3/8" GALV FLAT WASHER	4	0.01 LBS	NOT INCLUDED IN SCSM2B
10	MT37916	1/2" X 16" GALV THREADED ROD	2	0.88 LBS	
11	MTC401211	UNIVERSAL ANTENNA MOUNT	1	3.27 LBS	NOT INCLUDED IN SCSM2B
12	GUB-3244	3/8" X 2-1/2" X 4" GALV U-BOLT	2	0.31 LBS	NOT INCLUDED IN SCSM2B

DENSITY	0.28	lbs/in ³
MASS	23.40	lbs
VOLUME	82.54	in ³
SURFACE AREA		in ²
HEIGHT		
LENGTH		
WIDTH		

4

3

2

1

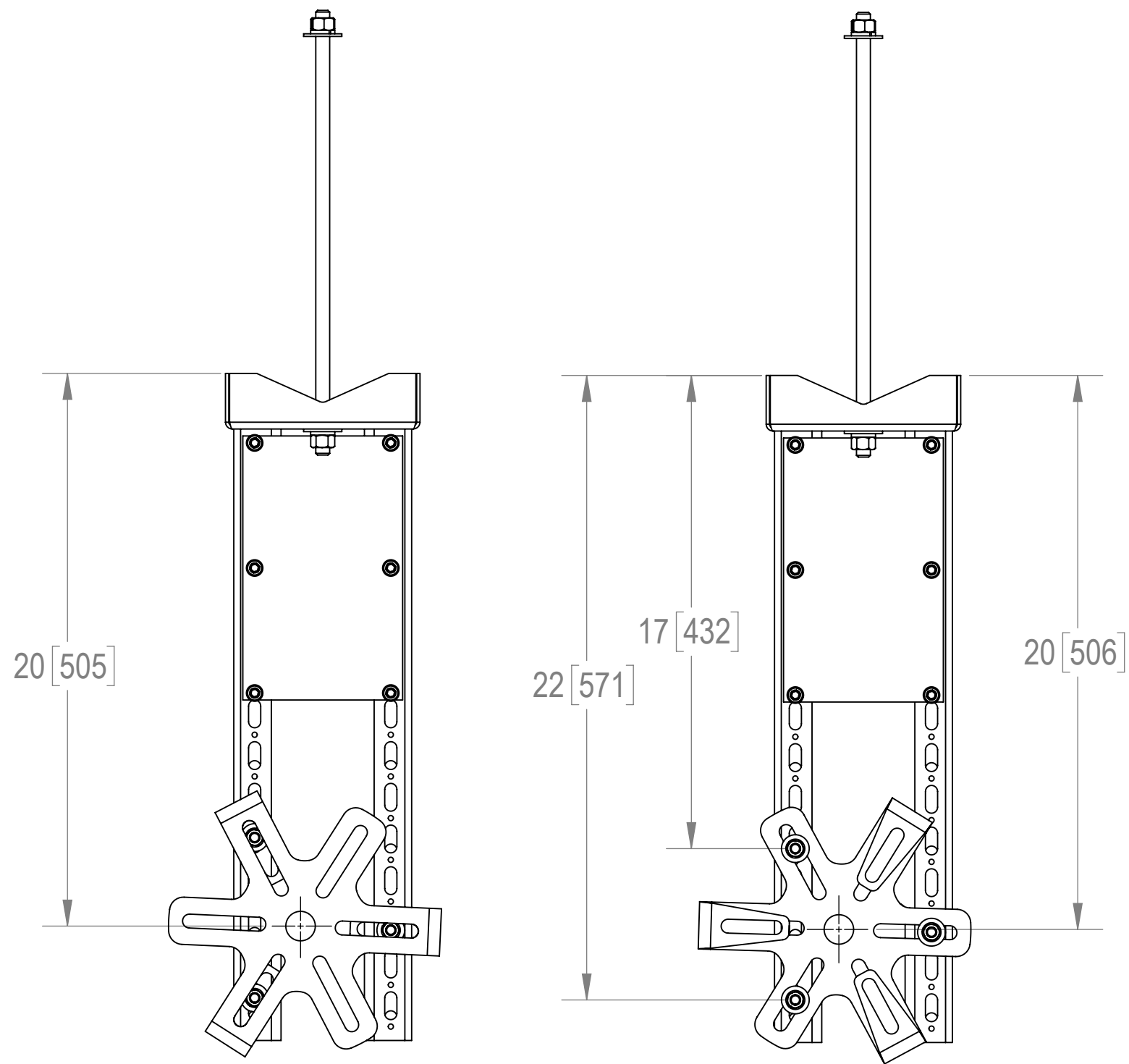
4

3

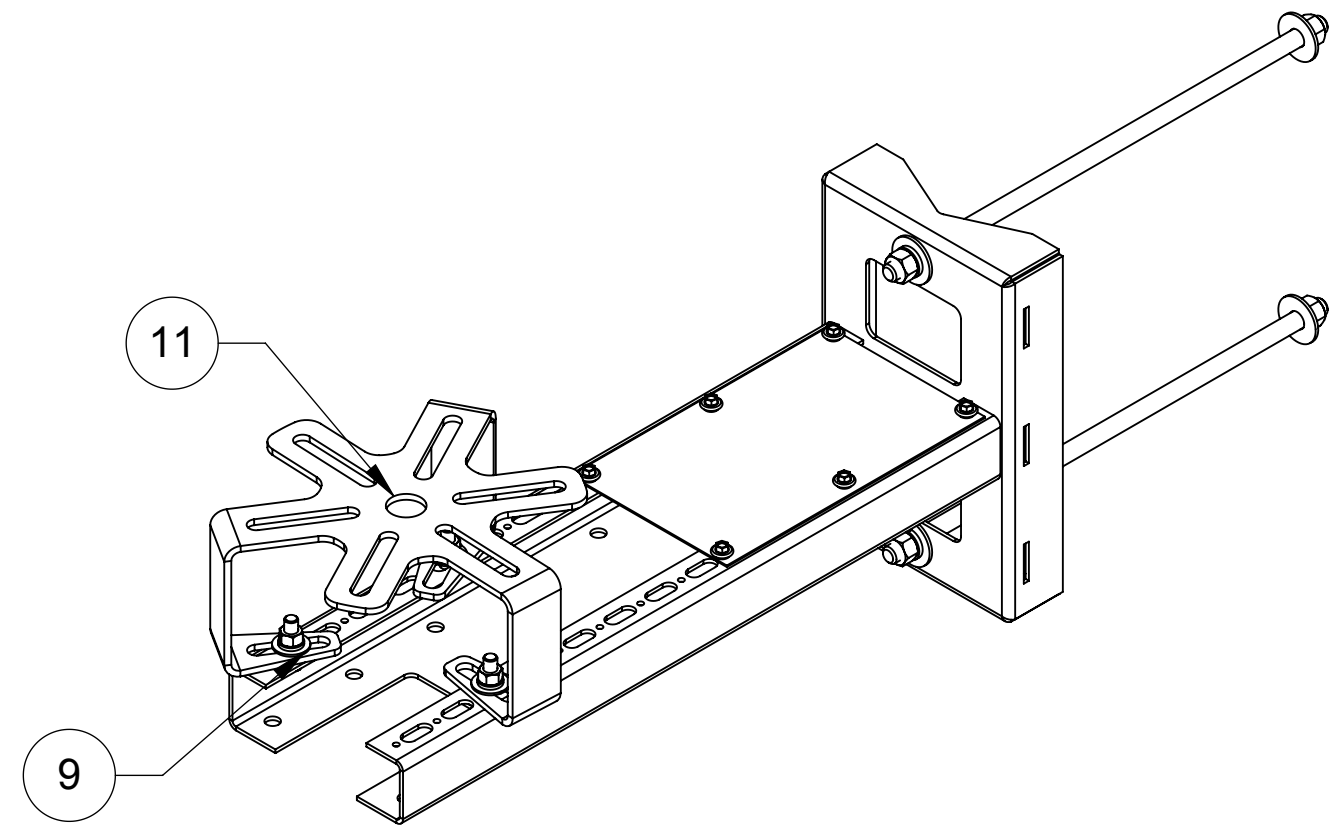
2

1

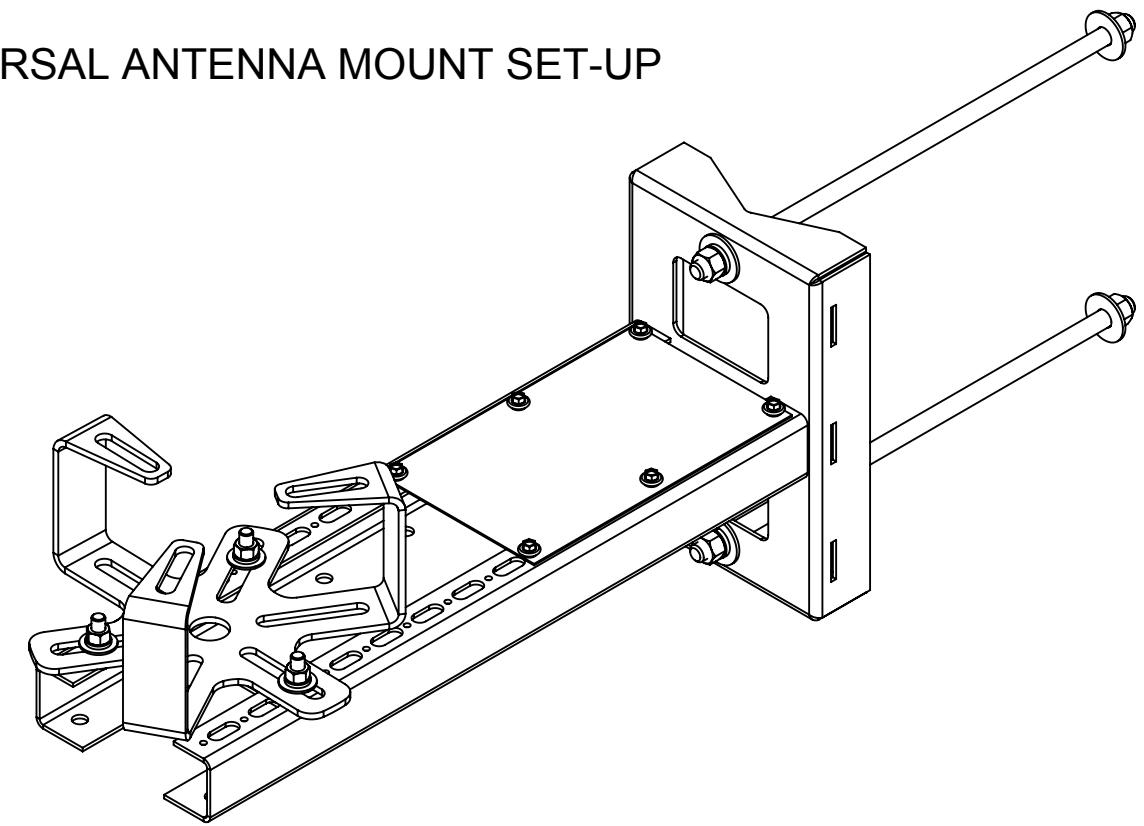
NOTES:



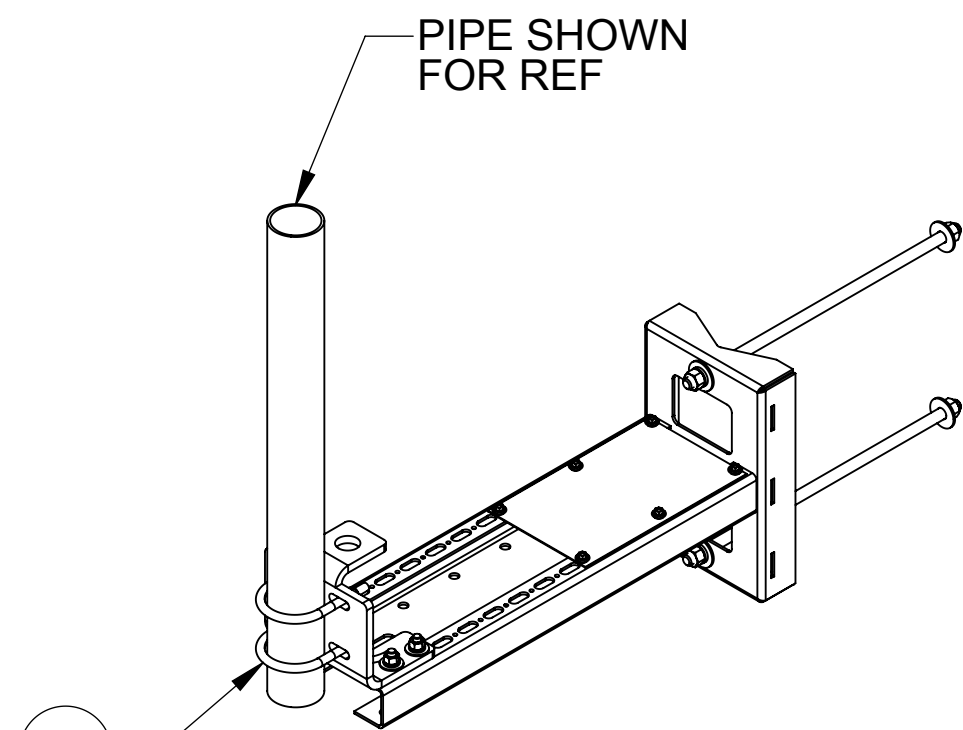
UNIVERSAL ANTENNA MOUNT FLIPPED



UNIVERSAL ANTENNA MOUNT SET-UP



UNIVERSAL ANTENNA MOUNT SET-UP FLIPPED



PANEL ANTENNA MOUNT

COMMSCOPE, INC. OF NORTH CAROLINA				
TITLE SMALL CELL SIDE MOUNT, 24" STANDOFF				
SIZE C	SCALE 1:5	DOCUMENT NO. SCSM2		
DRAWING		VERSION	STATUS	REVISION
		03	RE	F
				SHEET 2 OF 2

4

3

2

1