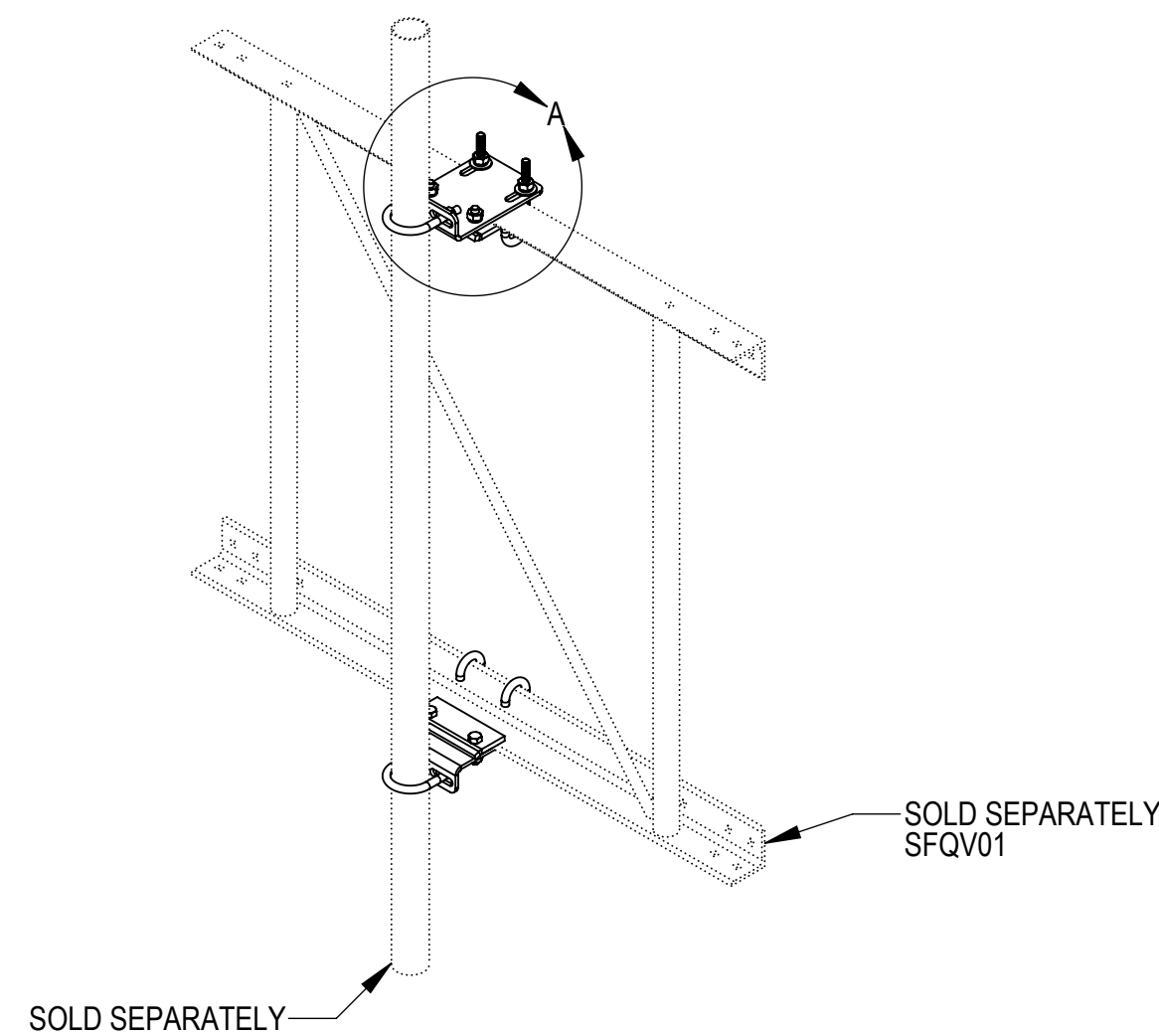
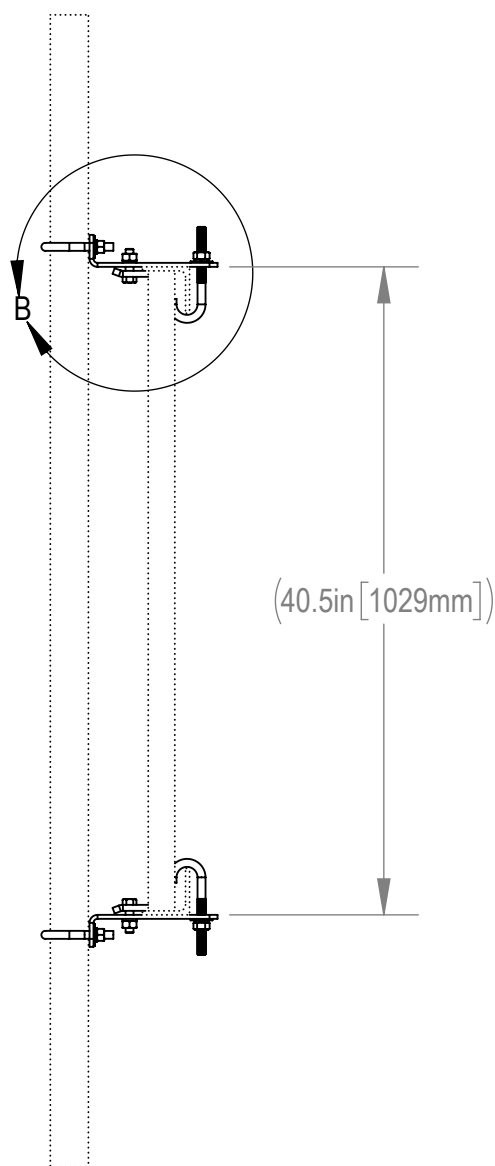
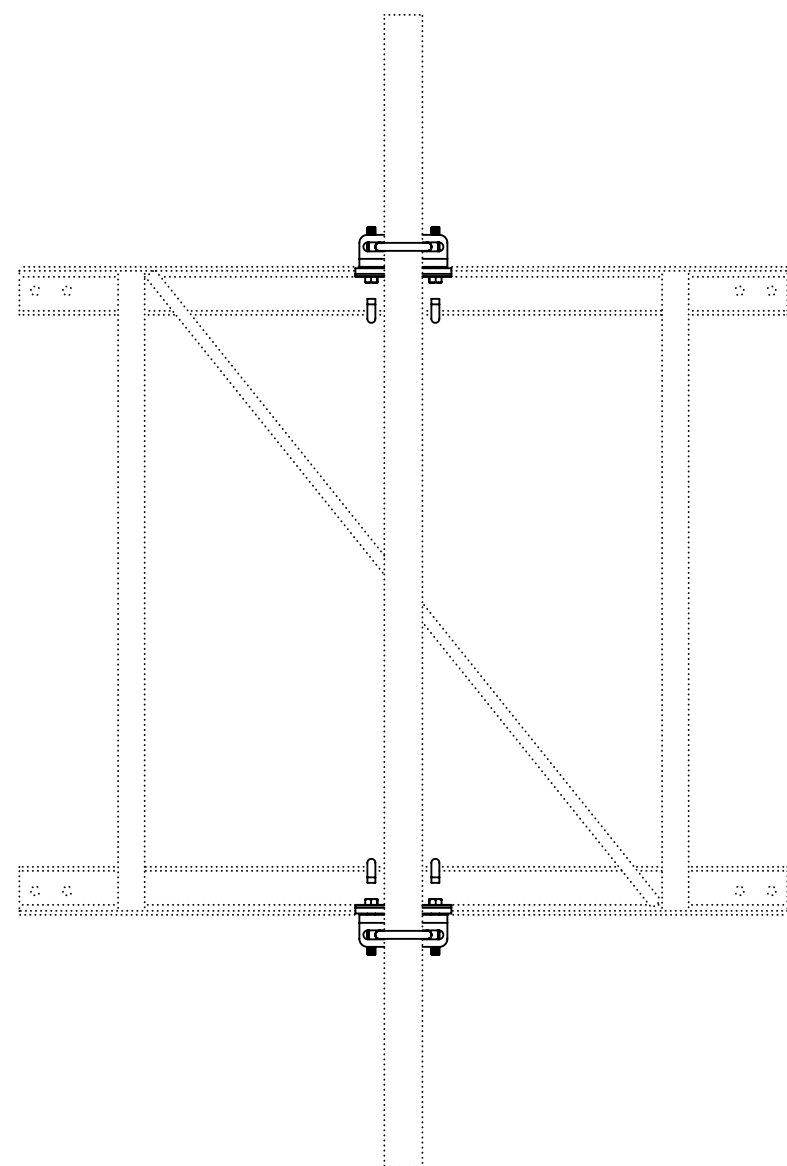
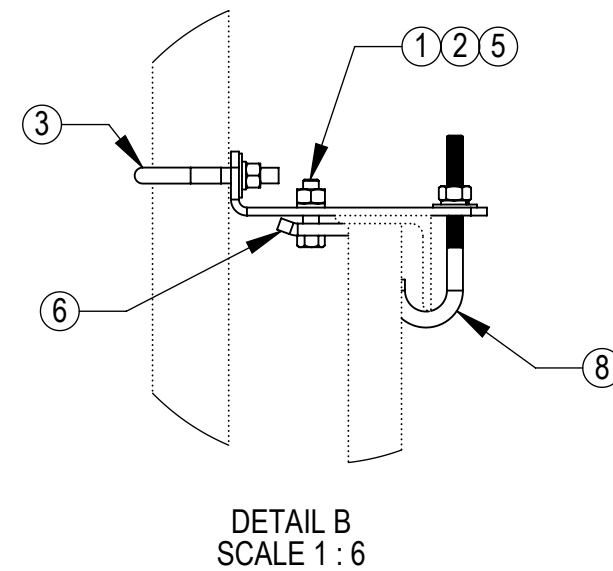
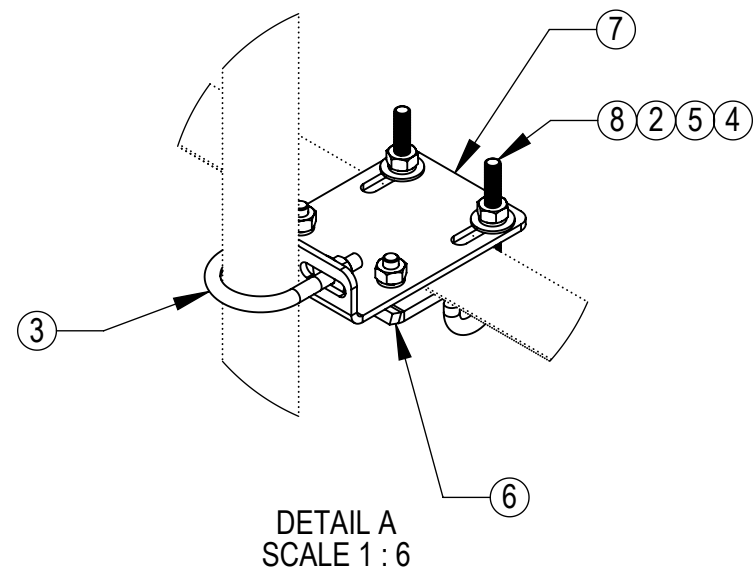
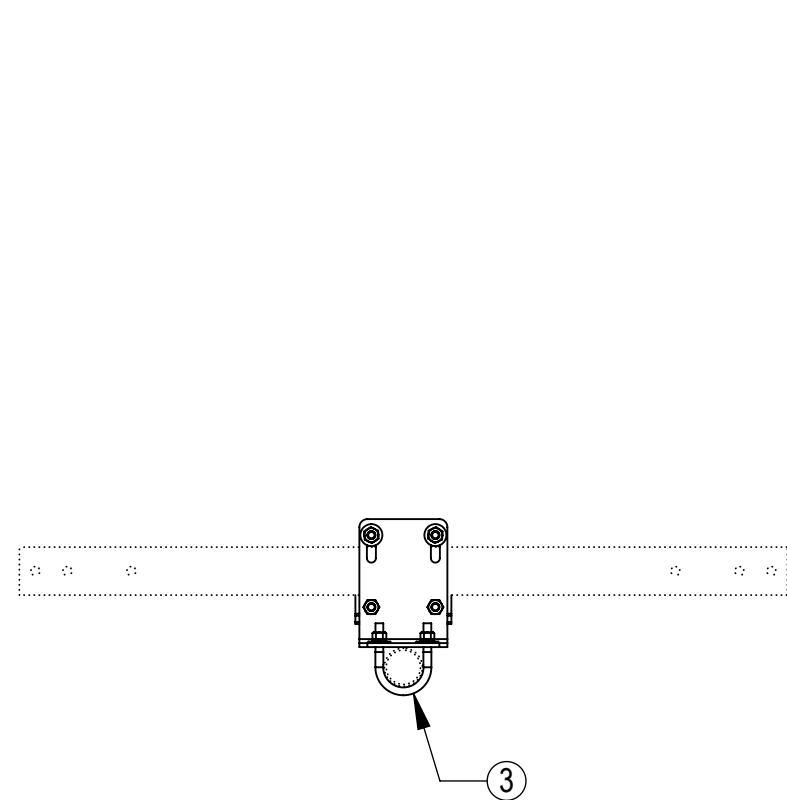


NOTES:

- 1.0 GENERAL
- 1.1 ALL METRIC DIMENSIONS ARE IN BRACKETS
- 2.0 DESIGN NOTES
- 3.0 MANUFACTURING/SPECIAL REQUIRMENTS
- 4.0 TEST
- 5.0 PACKAGING

REVISIONS				
REV.	ECN	DESCRIPTION	BY	DATE
A	8000033601	INITIAL RELEASE	MRC	02/06/19



ITEM	PART NO.	DESCRIPTION	QTY.	WEIGHT	NOTE NO.
1	GB-04165	1/2" X 1-3/4" GALV BOLT KIT	4	0.14 LBS	
2	GN-04A	1/2" GALV HEX NUT (A194 2H)	4	0.07 LBS	
3	GUB-4240	1/2" X 2-1/2" X 4" GALV U-BOLT	2	0.56 LBS	
4	GWF-04	1/2" GALV FLAT WASHER	4	0.03 LBS	
5	GWL-04	1/2" GALV LOCK WASHER	4	0.01 LBS	
6	MTC7902AL07	PINCH PLATE	2	1.60 LBS	
7	PAM01	ANGLE, 2 X 7 X 1/4	2	3.37	
8	WBJB6	1/2" J-BOLT	4	0.41 LBS	

DENSITY	0.282	lbs/in ³
MASS	91.611	lbs
VOLUME		in ³
SURFACE AREA		in ²
HEIGHT		
LENGTH		
WIDTH		

COMMSCOPE, INC. OF NORTH CAROLINA									
TOLERANCES					SAP MATERIAL MASTER				
0 PLACE	X ± 0.25		2 PLACE	.XX ± 0.06		PAM			
1 PLACE	.X ± 0.12		ANGLES	± 2°					
FINISH GALV A123					MATERIAL A1011/A1018				
UNLESS OTHERWISE SPECIFIED DIMENSIONS ARE IN INCHES INTERPRET PER ANSI Y 14.5M-1994	CE	MRC	DATE	TITLE					
	RW	MC1107	02/07/2019	PIPE TO ANGLE MNT, 1-3.5" OD X 2-4" ANGL					
	RV	BCAMPBELLCON	02/07/2019	SCALE	DOCUMENT NO.				
	RE	MC1107	02/07/2019	1:12	PAM				
	ECN 008000033601			SIZE	WORK AREA	24	MODEL		DRAWING
C	[Symbol]		VERSION	STATUS	REVISION	VERSION	STATUS	REVISION	SHEET
			00	RE	A	02	RE	A	1 OF 1

4

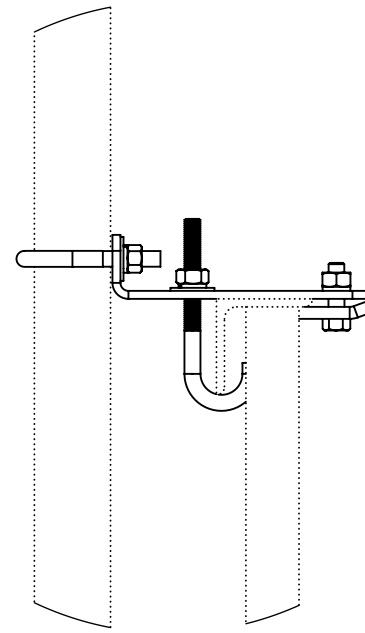
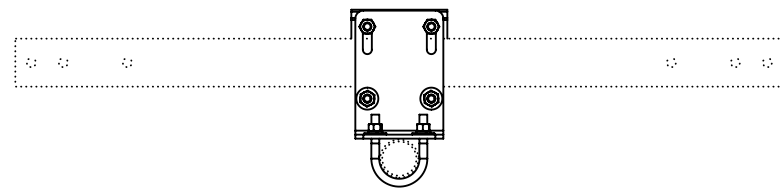
3

2

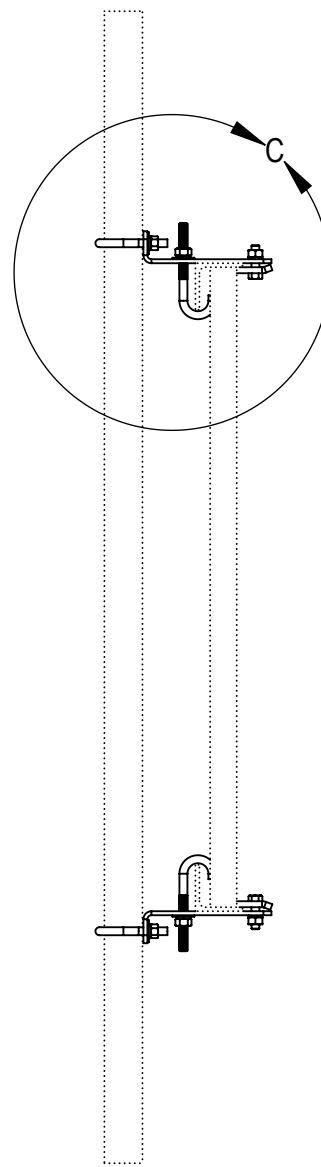
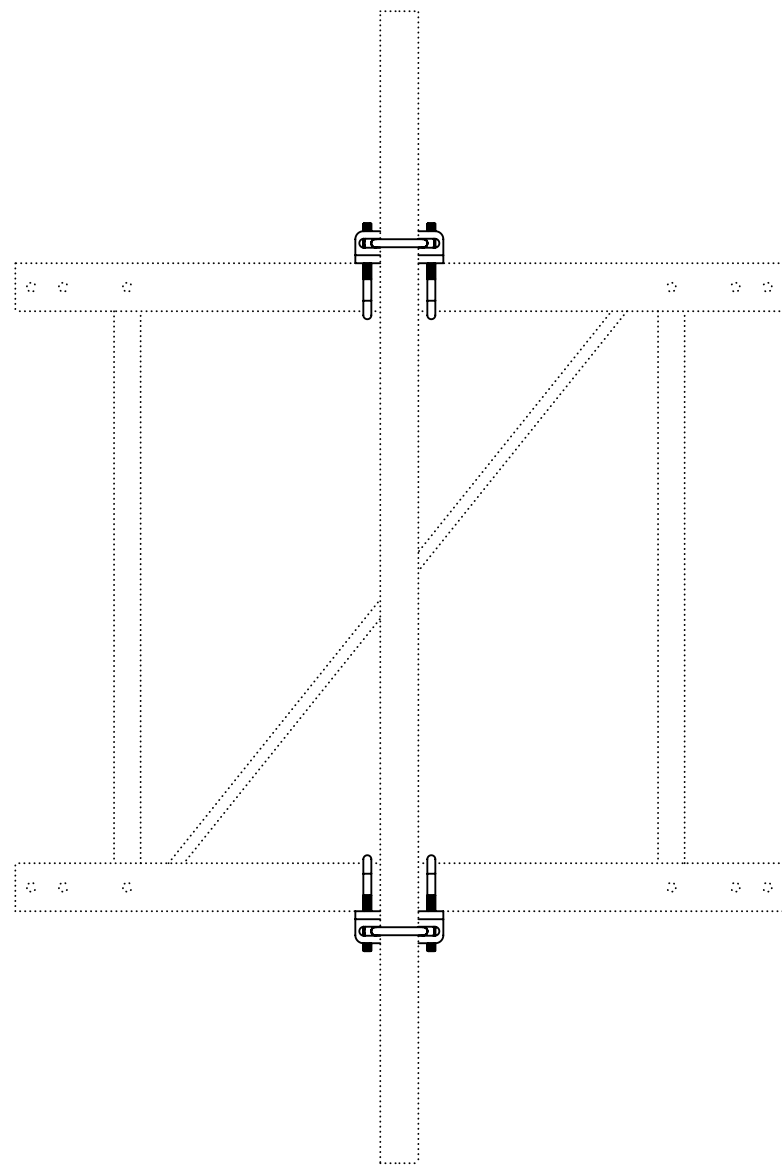
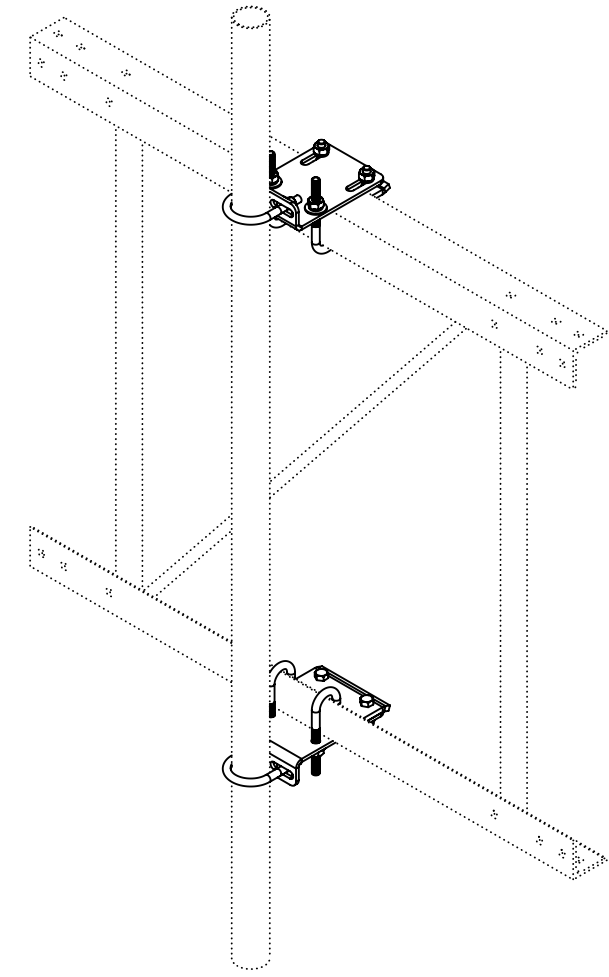
1


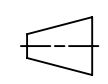
NOTES:

ALTERNATE MOUNTING DIRECTION



DETAIL C
SCALE 1:6



COMMSCOPE, INC. OF NORTH CAROLINA				
TITLE PIPE TO ANGLE MNT, 1-3.5" OD X 2-4" ANGL				
SIZE C	SCALE 1:12	DOCUMENT NO. PAM		
 		DRAWING		SHEET 2 OF 2
		VERSION 02	STATUS RE	

© 2019 CommScope, Inc.

4

3

2

1

D

D

C

C

B

B

A

A