

ITEM	PART NO.	DESCRIPTION	QTY.	WEIGHT
1	MC-DPM-B	Monopole Colocation Dual Pipe Mount Base Kit	1	70.40 LBS
2	MT-219-H	Pipe Mount Kit, Pipe not Included	2	SEE TABLE
3	MT-651	2.375" OD X 72" PIPE	2	SEE TABLE

REVISIONS				
REV.	ZONE	DESCRIPTION	BY	DATE
A		INITIAL RELEASE	MSM	09/03/09
B		UPDATE SHEET 3	MSM	10/18/11

∅ 2-3/8" OD PIPE TABLE

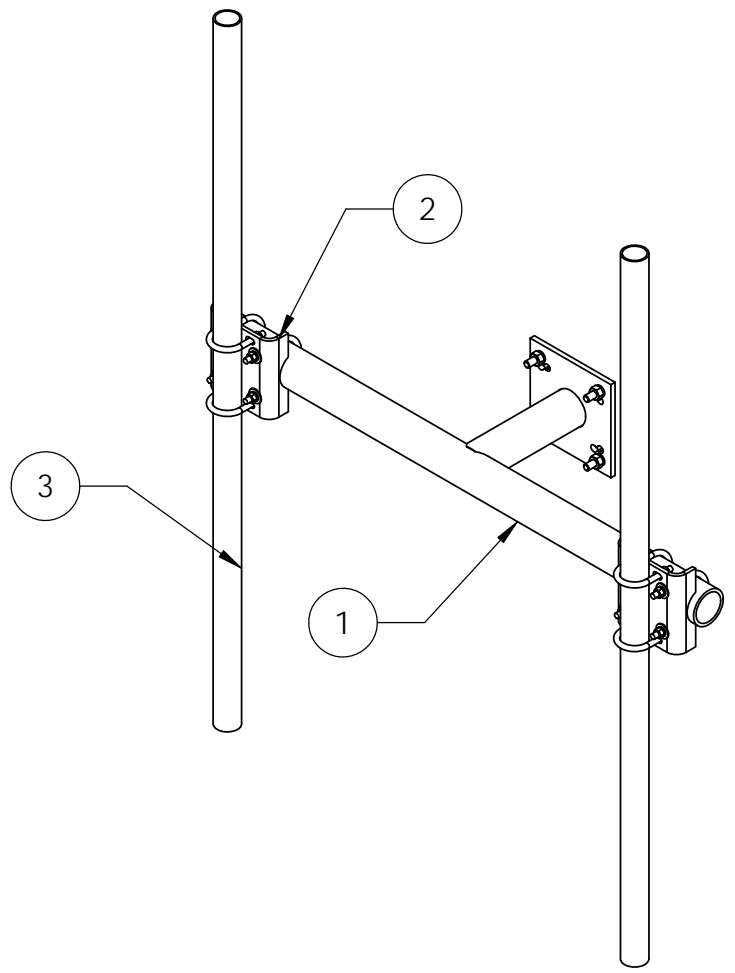
PART NO.	DESCRIPTION	MT-219-H	MT-651	MT-651-84	MT-651-96	MT-537	WEIGHT
MC-DPM2-B	Dual Pipe Mount Kit, 2-3/8" OD	2	-	-	-	-	93.74 LBS
MC-DPM2-72	Dual Pipe Mount Kit, 2-3/8" OD x 72" Pipe	2	2	-	-	-	137.74 LBS
MC-DPM2-84	Dual Pipe Mount Kit, 2-3/8" OD x 84" Pipe	2	-	2	-	-	145.07 LBS
MC-DPM2-96	Dual Pipe Mount Kit, 2-3/8" OD x 96" Pipe	2	-	-	2	-	152.40 lbs
MC-DPM2-126	Dual Pipe Mount Kit, 2-3/8" OD x 126" Pipe	2	-	-	-	2	170.73 LBS

∅ 2-7/8" OD PIPE TABLE

PART NO.	DESCRIPTION	MT-219M-H	MT54672	MT54684	MT54696	MT-546-126	WEIGHT
MC-DPM3-B	Dual Pipe Mount Kit, 2-7/8" OD	2	-	-	-	-	97.27 LBS
MC-DPM3-72	Dual Pipe Mount Kit, 2-7/8" OD x 72" Pipe	2	2	-	-	-	167.04 LBS
MC-DPM3-84	Dual Pipe Mount Kit, 2-7/8" OD x 84" Pipe	2	-	2	-	-	178.67 LBS
MC-DPM3-96	Dual Pipe Mount Kit, 2-7/8" OD x 96" Pipe	2	-	-	2	-	190.30 LBS
MC-DPM3-126	Dual Pipe Mount Kit, 2-7/8" OD x 126" Pipe	2	-	-	-	2	219.37 LBS

∅ 3-1/2" OD PIPE TABLE

PART NO.	DESCRIPTION	MT-219L-H	MT54772	MT54784	MT54796	MT-547-126	WEIGHT
MC-DPM35-B	Dual Pipe Mount Kit, 3-1/2" OD	2	-	-	-	-	97.24 LBS
MC-DPM35-72	Dual Pipe Mount Kit, 3-1/2" OD x 72" Pipe	2	2	-	-	-	196.08 LBS
MC-DPM35-84	Dual Pipe Mount Kit, 3-1/2" OD x 84" Pipe	2	-	2	-	-	203.69 LBS
MC-DPM35-96	Dual Pipe Mount Kit, 3-1/2" OD x 96" Pipe	2	-	-	2	-	218.89 LBS
MC-DPM35-126	Dual Pipe Mount Kit, 3-1/2" OD x 126" Pipe	2	-	-	-	2	256.91 LBS




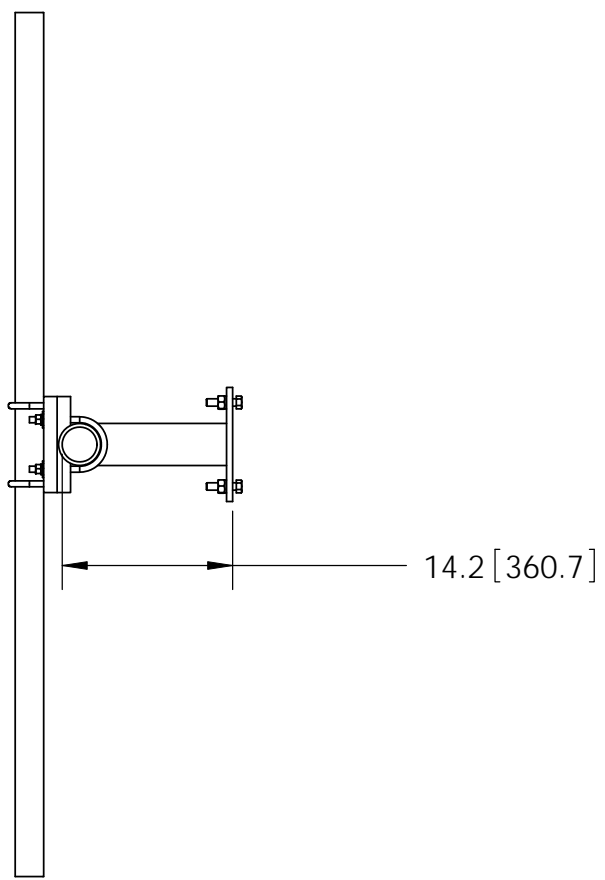
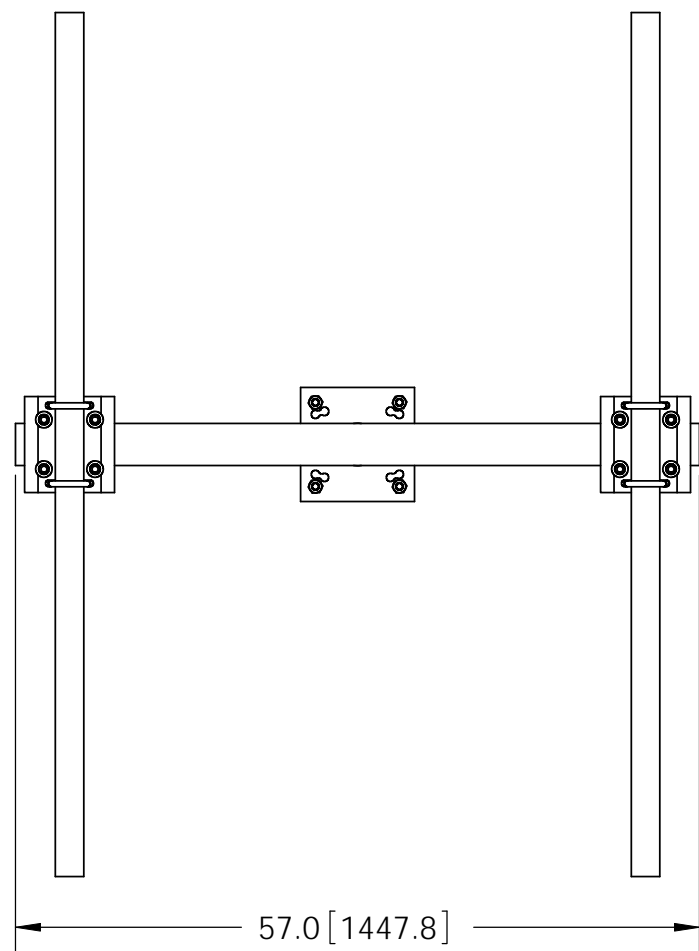
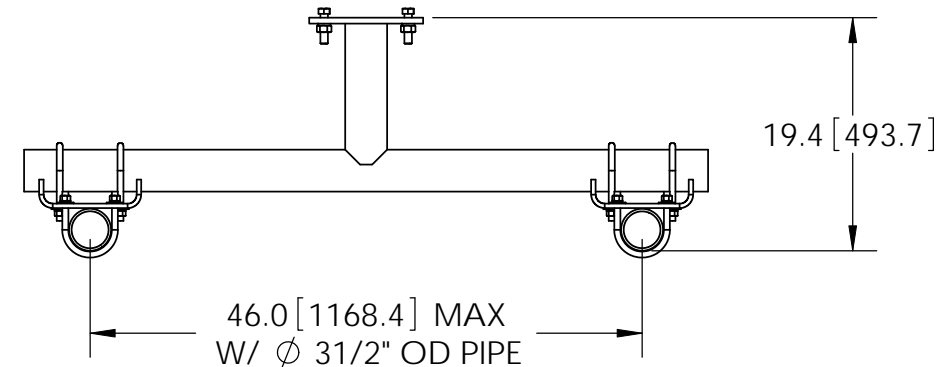
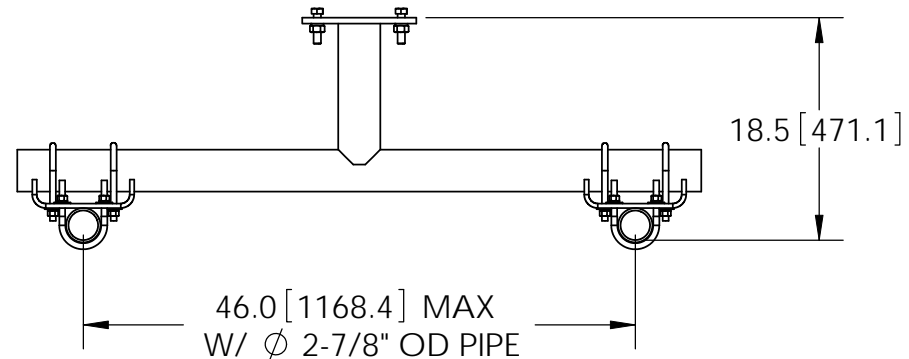
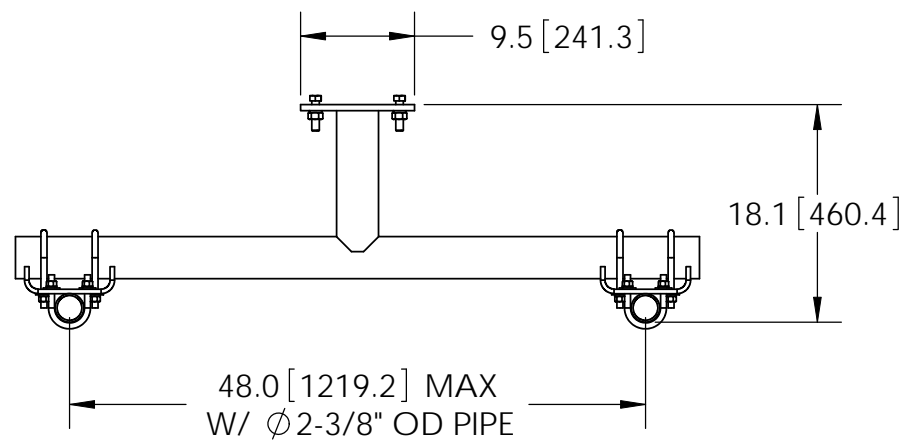
MC-DPM2-72 SHOWN

MC-DPM-B


PART NO.	DESCRIPTION	QTY.	WEIGHT
MTC996101	MCDA Frame Weldment	1	70.22 LBS
GB-0524A	5/8" x 2-1/2" Galv Hex Bolt (A325)	4	0.31 LBS

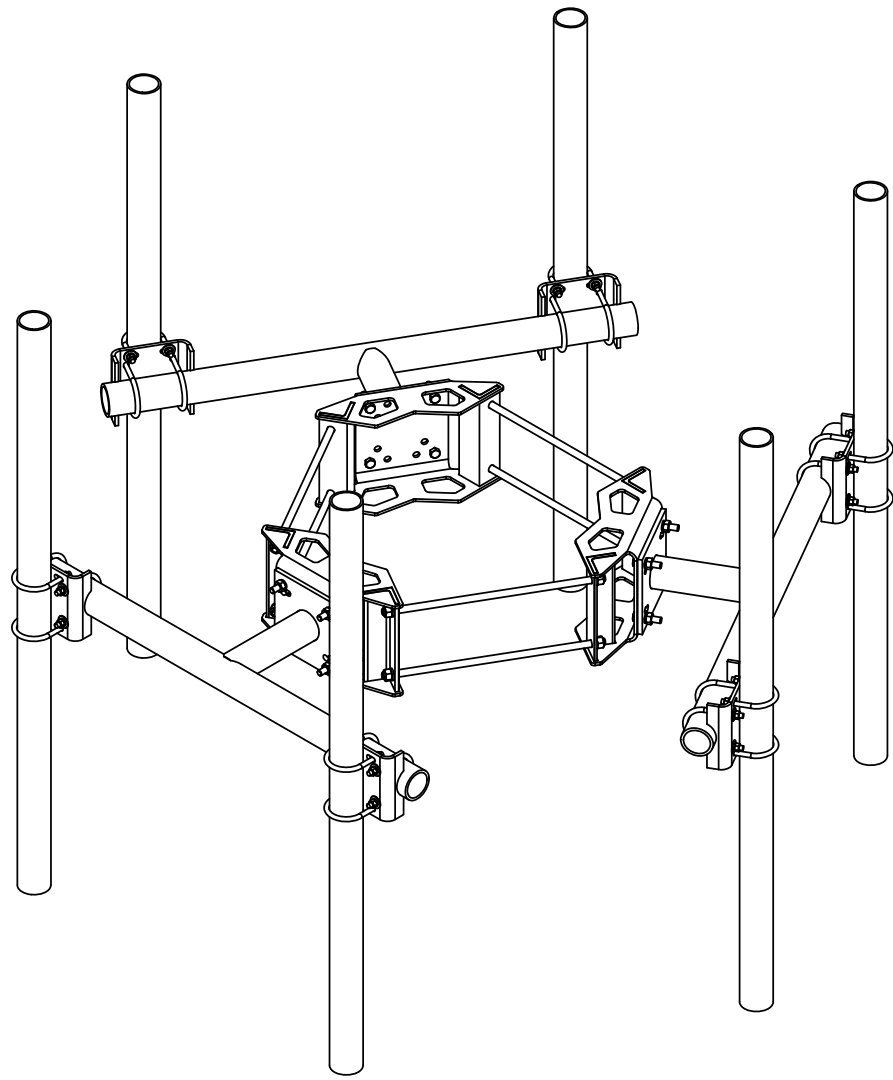
NOTES:
1. ALL METRIC DIMENSIONS ARE IN BRACKETS.

<small>These drawings and specifications are the proprietary property of ANDREW CORPORATION and may be used only for the specific purpose authorized in writing by Andrew Corporation.</small> ALL DIMENSIONS ARE IN INCHES U.O.S. TOLERANCES UNLESS OTHERWISE SPECIFIED: .X = ± .12 ANGLES ±2° .XX = ± .06 FRACTIONS ±1/32 .XXX = ± .03 REMOVE BURRS AND BREAK EDGES .005 DO NOT SCALE THIS PRINT	DRAWN BY: MSM CHECKED BY: TP DATE: 09/03/09 REVISION: B	SHEET: 1 of 3 SCALE: NTS MATERIAL: A36, A53 FINISH: GALV A123 WEIGHT: SEE TABLE	PART NUMBER: MC-DPM Series DESCRIPTION: Dual Pipe Mount Kit, 2-3/8" OD x 72" Mounting Pipes DRAWING TYPE: ASSEMBLY DRAWING  WESTCHESTER, IL. 60154 U.S.A.
---	--	---	---

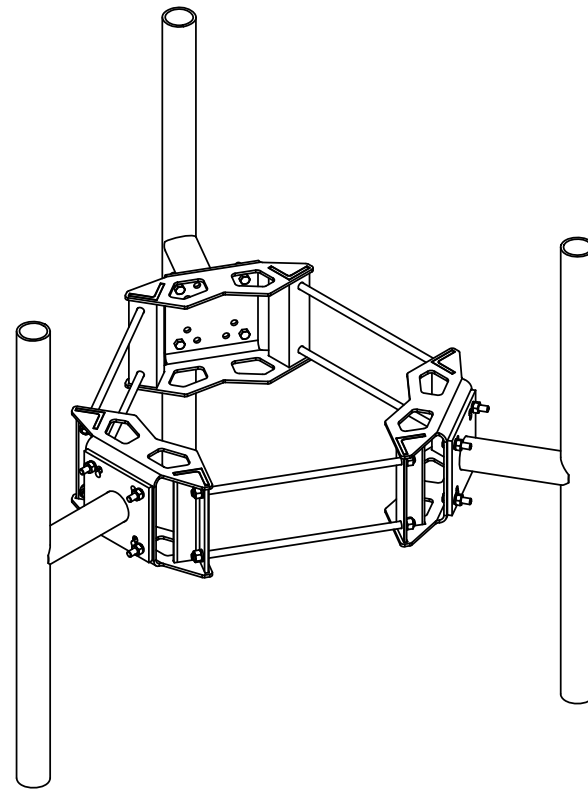


NOTES:
1. ALL METRIC DIMENSIONS ARE IN BRACKETS.

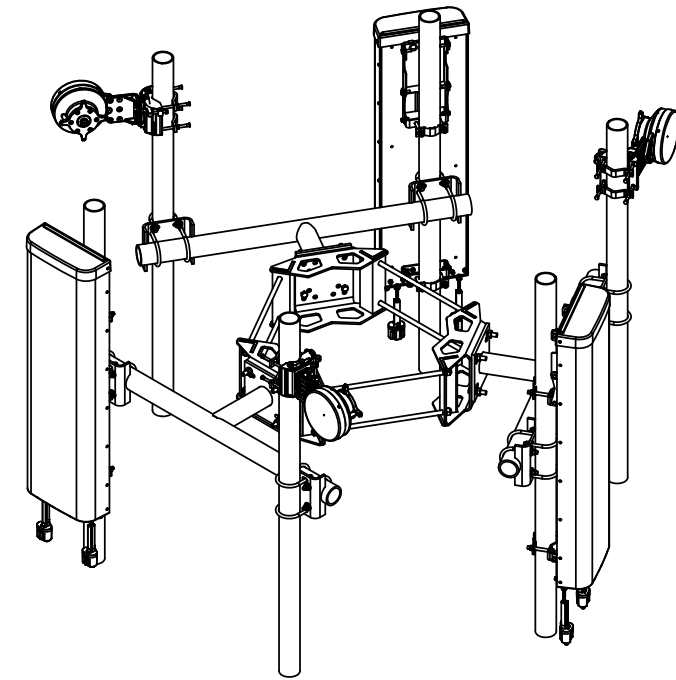
These drawings and specifications are the proprietary property of ANDREW CORPORATION and may be used only for the specific purpose authorized in writing by Andrew Corporation. ALL DIMENSIONS ARE IN INCHES U.O.S. TOLERANCES UNLESS OTHERWISE SPECIFIED: .X = \pm .12 ANGLES \pm 2' .XX = \pm .06 FRACTIONS \pm 1/32 .XXX = \pm .03 REMOVE BURRS AND BREAK EDGES .005 DO NOT SCALE THIS PRINT	DRAWN BY: MSM	SHEET: 2 of 3	PART NUMBER: MC-DPM Series
	CHECKED BY: TP	SCALE: NTS	DESCRIPTION: Dual Pipe Mount Kit, 2-3/8" OD x 72" Mounting Pipes
	DATE: 09/03/09	MATERIAL: A36, A53	DRAWING TYPE: ASSEMBLY DRAWING
	REVISION: B	FINISH: GALV A123	 WESTCHESTER, IL. 60154 U.S.A.
	WEIGHT: SEE TABLE		



STANDARD MOUNTING




OPTIONAL VERTICAL MOUNTING



WITH ANTENNAS

NOTES:
 1. ALL METRIC DIMENSIONS ARE IN BRACKETS.

<small>These drawings and specifications are the proprietary property of ANDREW CORPORATION and may be used only for the specific purpose authorized in writing by Andrew Corporation.</small> ALL DIMENSIONS ARE IN INCHES U.O.S. TOLERANCES UNLESS OTHERWISE SPECIFIED: .X = ± .12 ANGLES ±2° .XX = ± .06 FRACTIONS ±1/32 .XXX = ± .03 REMOVE BURRS AND BREAK EDGES .005 DO NOT SCALE THIS PRINT	<small>DRAWN BY:</small> MSM	<small>SHEET:</small> 3 of 3	<small>PART NUMBER:</small> MC-DPM Series
	<small>CHECKED BY:</small> TP	<small>SCALE:</small> NTS	<small>DESCRIPTION:</small> Monopole Colocation, Dual Pipe Mount Series
	<small>DATE:</small> 09/03/09	<small>MATERIAL:</small> A36, A53	<small>DRAWING TYPE:</small> ASSEMBLY DRAWING
	<small>REVISION:</small> B	<small>FINISH:</small> GALV A123	 WESTCHESTER, IL. 60154 U.S.A.
	<small>WEIGHT:</small> SEE TABLE		