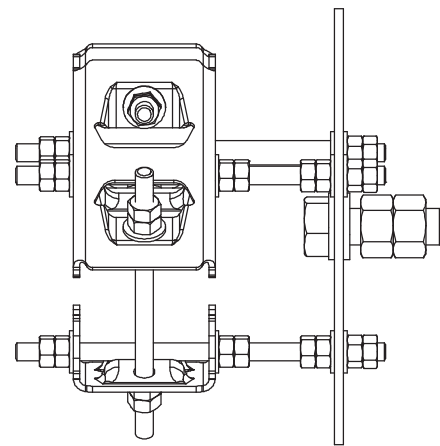
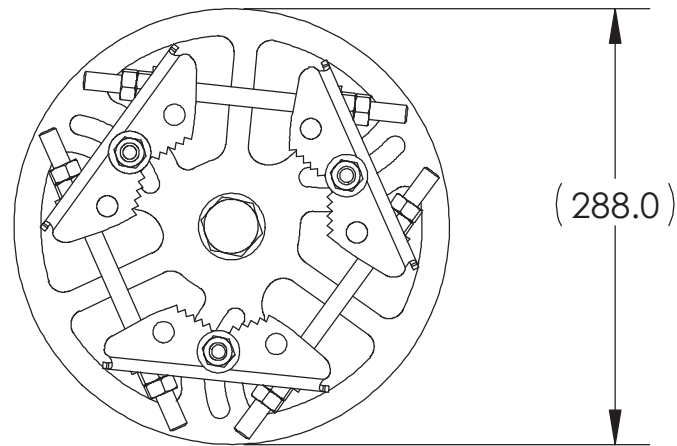
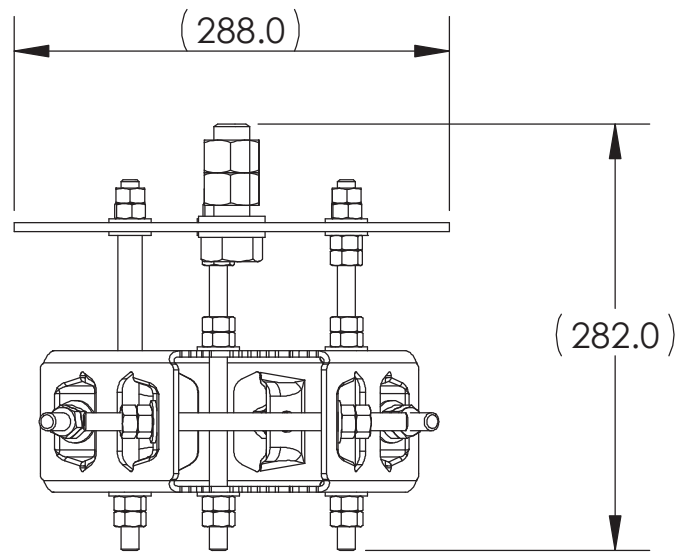


NOTES:



MC-MNT-TOP
SCALE 1:5

© 2015 CommScope, Inc.
NOTICE: These drawings and specifications are the proprietary property of COMMSCOPE, INC. and may be used only for the specific purpose authorized in writing by COMMSCOPE, INC.

REVISIONS			
REV.	DESCRIPTION	DATE	APPROVED
A	ECR 8000007646: REL TO PRODUCTION.	16ARP15 XHX	ED/XIAI

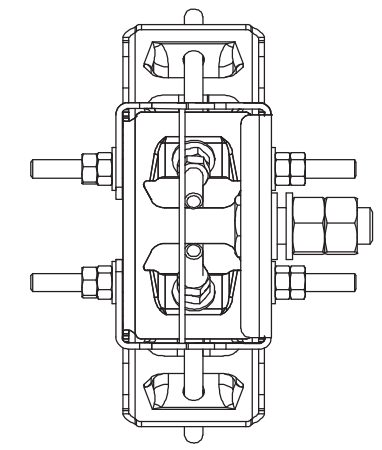
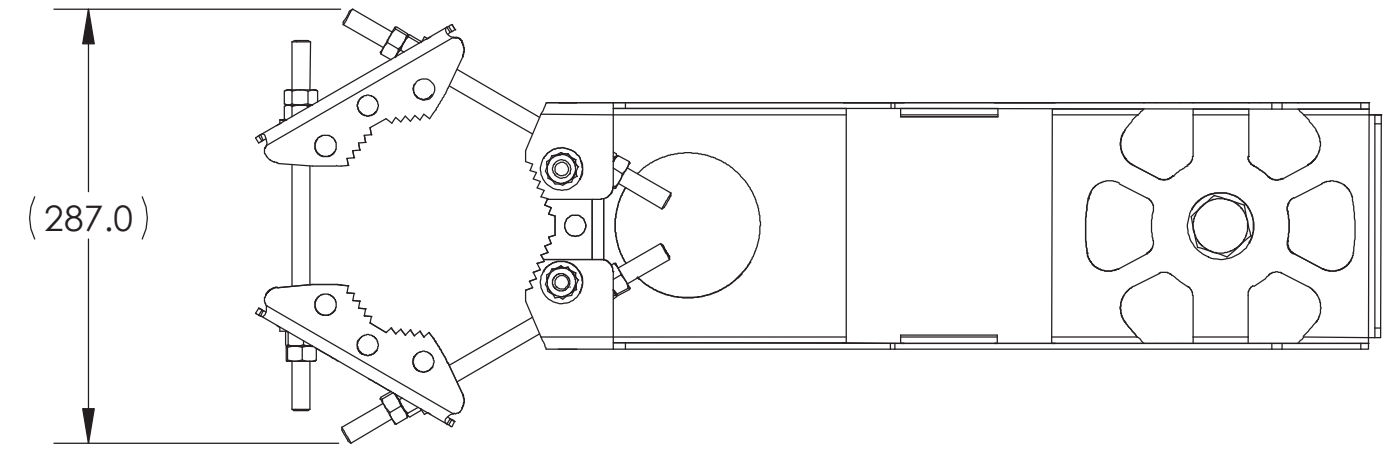
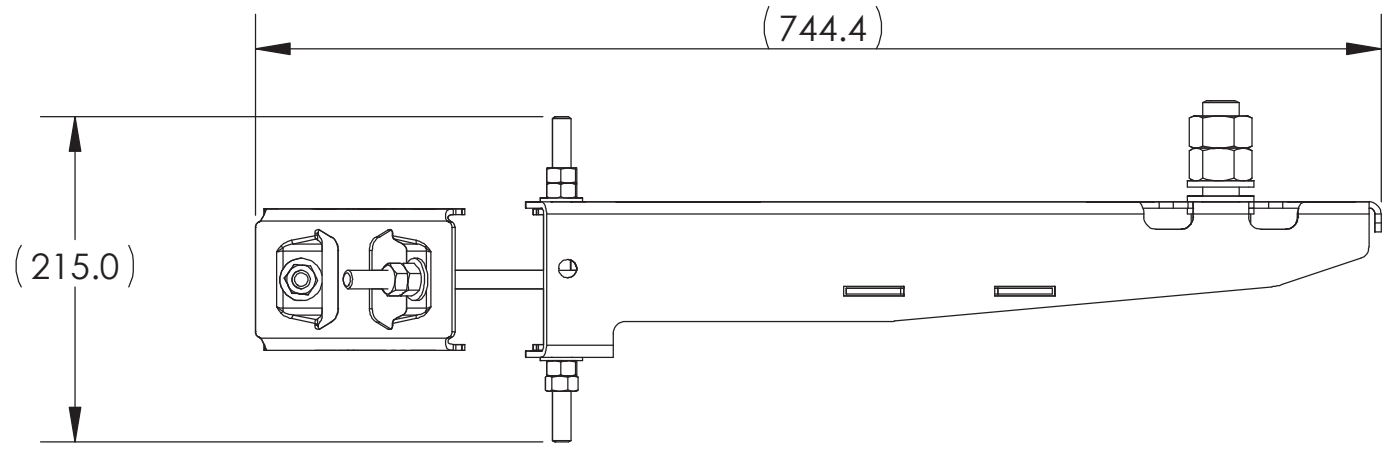
COMMSCOPE, INC. OF NORTH CAROLINA

DENSITY:	<u>TOLERANCES</u> 0 PLACE X ± 1 PLACE .X ± 2 PLACE .XX ± ANGLES ±	SAP MATERIAL MASTER
MASS:		
VOLUME:		
SURFACE AREA:		

FINISH N/A	MATERIAL N/A
---------------	-----------------

UNLESS OTHERWISE SPECIFIED DIMENSIONS ARE IN MILLIMETERS INTERPRET PER ISO STANDARDS HANDBOOK, TECHNICAL DRAWINGS, VOLUMES 1 & 2, THIRD EDITION (2002)	NAME	DATE	TITLE			
	CE XHX	16ARP15	PRODUCT DRAWING			
	RW HX1004	04/21/2015				
	RV EBRADLEY	04/22/2015				
	AD XIAI	04/22/2015				
	RE LONEWSOM	04/22/2015				
ECN 8000007646-O	SIZE A3	SCALE 1:5	DOCUMENT NO. MC-MNT-TS1-L			

HEIGHT	ALL SURFACES	WORK AREA 23	MODEL			DRAWING			SHEET 1 OF 3
LENGTH	✓		VERSION	STATUS	REVISION	VERSION	STATUS	REVISION	
WIDTH			00	RE	A	00	RE	A	

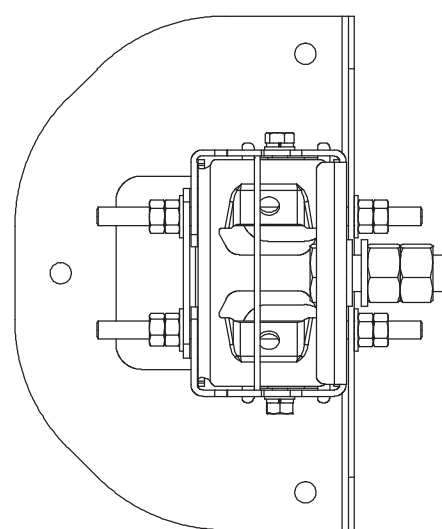
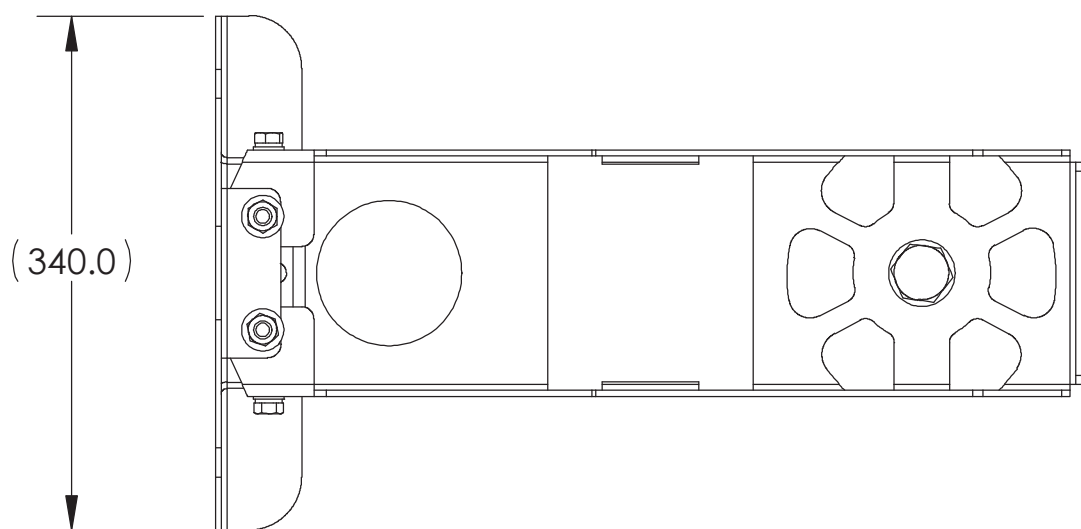
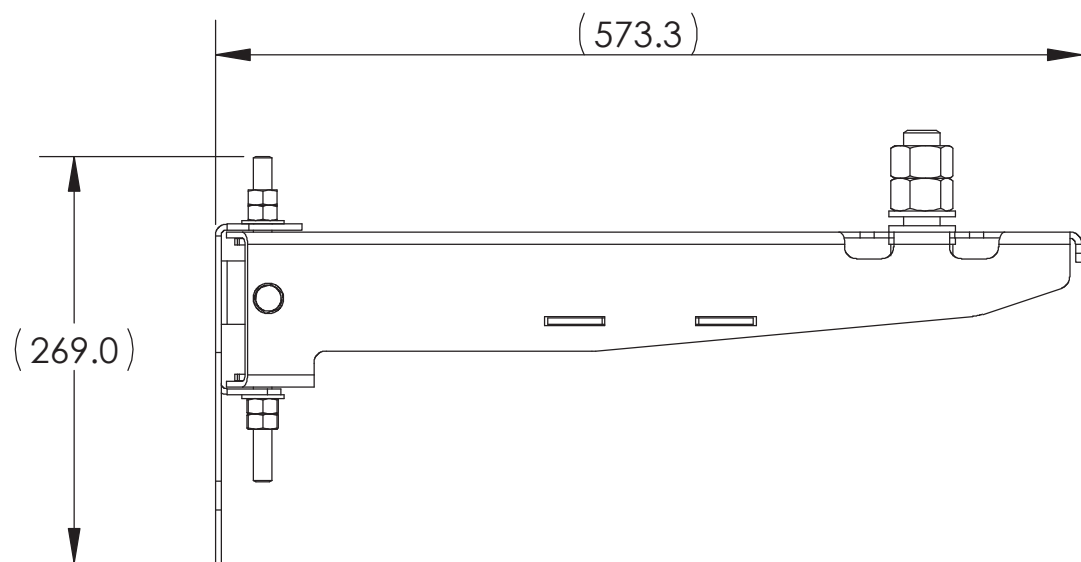


MC-MNT-SIDE-01
SCALE 1:5

© 2015 CommScope, Inc.

NOTICE: These drawings and specifications are the proprietary property of COMMScope, INC. and may be used only for the specific purpose authorized in writing by COMMScope, INC.

COMMScope, INC. OF NORTH CAROLINA					
TITLE PRODUCT DRAWING					
SIZE A3	SCALE 1:5	DOCUMENT NO. MC-MNT-TS1-L			
		DRAWING			SHEET 2 OF 3
		VERSION 00	STATUS RE	REVISION A	



MC-MNT-SIDE-02
SCALE 1:5

COMMSCOPE, INC. OF NORTH CAROLINA				
TITLE PRODUCT DRAWING				
SIZE A3	SCALE 1:5	DOCUMENT NO. MC-MNT-TS1-L		
DRAWING			SHEET	
VERSION 00		STATUS RE	REVISION A	3 OF 3

© 2015 CommScope, Inc.
NOTICE: These drawings and specifications are the proprietary property of COMMSCOPE, INC. and may be used only for the specific purpose authorized in writing by COMMSCOPE, INC.

