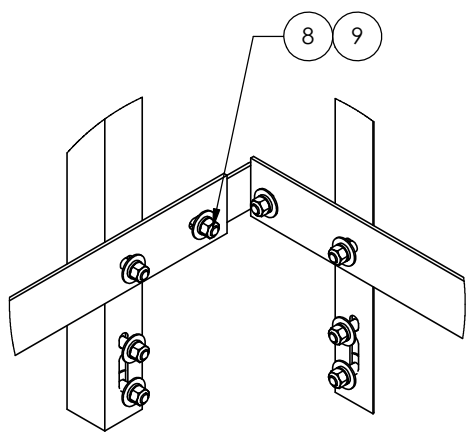
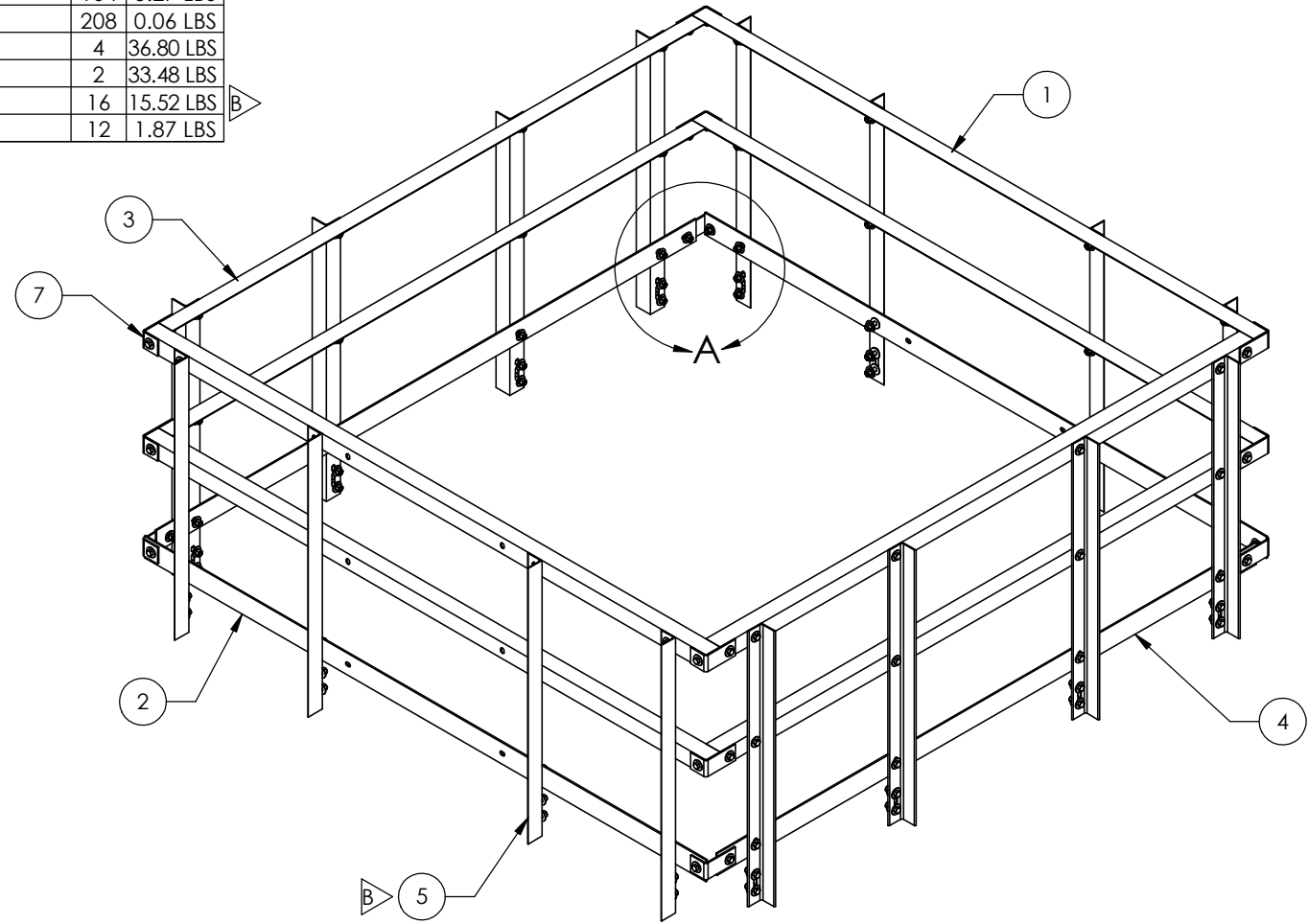



ITEM	PART NO.	DESCRIPTION	QTY.	WEIGHT
3	MTC79021010.05	10' CENTER HANDRAIL	4	35.01 LBS
4	MTC79021010.04	10' CENTER TOEBOARD	2	32.23 LBS
6	EQHR1010H	HARDWARE KIT (CONTAINS ITEM	1	
8	GB-05205	5/8" X 2" GALV BOLT KIT	104	0.27 LBS
9	GWF-05	5/8" GALV FLAT WASHER	208	0.06 LBS
10	MTC7902101003	10' SIDE HANDRAIL	4	36.80 LBS
11	MTC7902101006	10' SIDE TOEBOARD	2	33.48 LBS
12	EQHR01	HANDRAIL POST	16	15.52 LBS
13	MTC790208	HANDRAIL ANGLE CLIP	12	1.87 LBS

REVISIONS				
REV.	ECN	DESCRIPTION	BY	DATE
A		INITIAL RELEASE	DI	02/24/05
B	8000008700	REPLACED MTC790204 WITH EQHR01	RJC	6/15/2015



DETAIL A

<small>These drawings and specifications are the proprietary property of ANDREW CORPORATION and may be used only for the specific purpose authorized in writing by Andrew Corporation.</small>		DRAWN BY: DI CHECKED BY: TP DATE: 02/24/05 REVISION: B	SHEET: 1 of 1 SCALE: NTS MATERIAL: A36 FINISH: GALV A123 WEIGHT: 739.97 LBS	PART NUMBER: EQ-HR1010 DESCRIPTION: 10' x 10' PLATFORM HANDRAIL KIT DRAWING TYPE: ASSEMBLY DRAWING  ORLAND PARK, IL. 60462 U.S.A.
--	--	---	---	---

ALL DIMENSIONS ARE IN INCHES U.O.S.
 TOLERANCES UNLESS OTHERWISE SPECIFIED:
 .X = .06 ANGLES 2'
 .XX = .03 FRACTIONS 1/32
 .XXX = .010
 REMOVE BURRS AND BREAK EDGES .005
 DO NOT SCALE THIS PRINT