

A

B

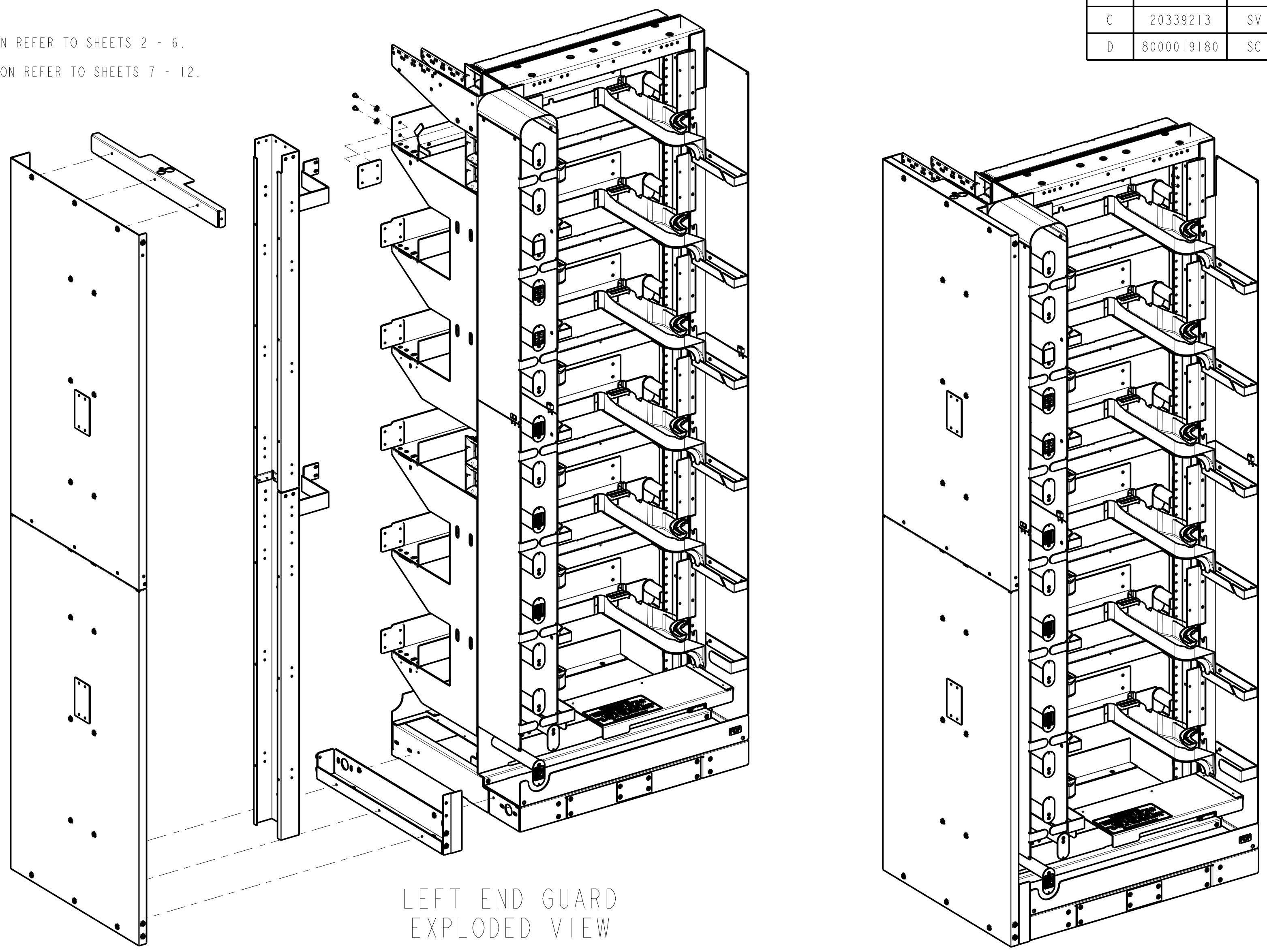
C

D

NOTE:

- 1. LEFT END GUARD INSTALLATION REFER TO SHEETS 2 - 6.
- 2. RIGHT END GUARD INSTALLATION REFER TO SHEETS 7 - 12.

REV	MCO	DWN	DATE
C	20339213	SV	22-MAY-13
D	8000019180	SC	18-JAN-17



LEFT END GUARD EXPLODED VIEW

ITEM #	DESCRIPTION	QTY
013	ROUTING GUIDE	1
011	FRONT FILLER PLATE	1
010	EXTERNAL TOOTH LOCKWASHER	74
009	SCREW 12-24 X .500	6
008	SCREW 12-24 X .312	64
007	RIGHT FRAME TO END GUARD, 3.35" MOUNTING BRACKET	2
006	LEFT FRAME TO END GUARD, MOUNTING BRACKET	2
005	REAR END GUARD, 3.0" MOUNTING BRACKET	6
004	END GUARD TOP	1
003	END GUARD BASE	1
002	ELECTICAL TROUGH	1
001	OUTER PANEL	1

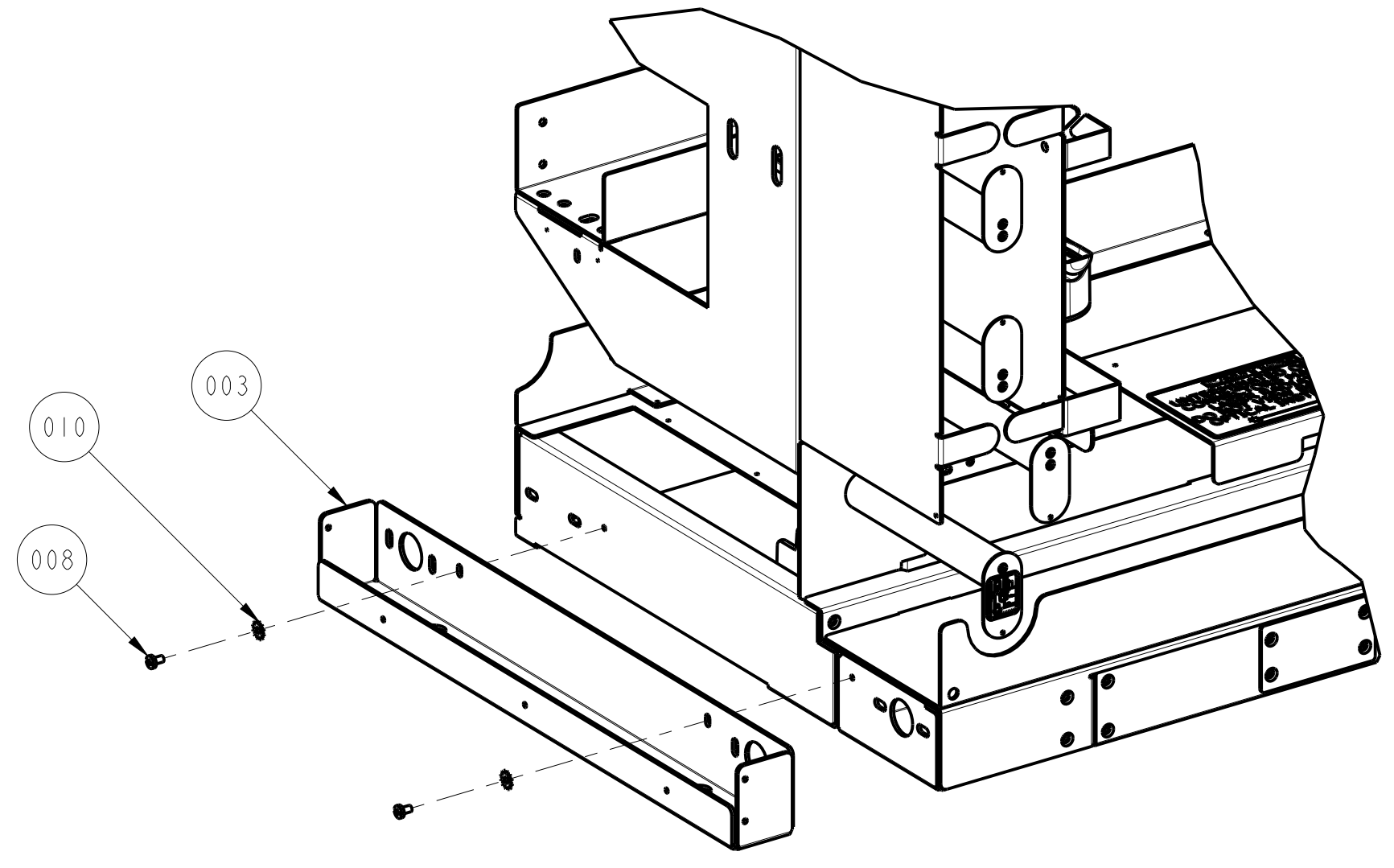
NG4-ACCEGDBI
 NG4-ACCEGDPI
 CATALOG NUMBER

COMMSCOPE, INC.

<small>© 2016 COMMSCOPE, INC. CONFIDENTIAL NOTICE: THESE DRAWINGS AND SPECIFICATIONS ARE THE PROPRIETARY PROPERTY OF COMMSCOPE, INC. AND MAY BE USED ONLY FOR THE SPECIFIC PURPOSE AUTHORIZED IN WRITING BY COMMSCOPE, INC.</small>		TITLE END GUARD NG4 INSTALLATION DRAWING	
<small>ALL DIMS AND TOLERANCES ARE INCHES UNLESS OTHERWISE SPECIFIED</small>	<small>.XX:±.XX .XXX:±.XXX ANGULAR:±N/A</small>	C SIZE DRAWING NUMBER 300001760249	D REV
DO NOT SCALE DRAWING	ENGR: P. RUDENICK DWN: P. RUDENICK	SHT. 1 OF 12	

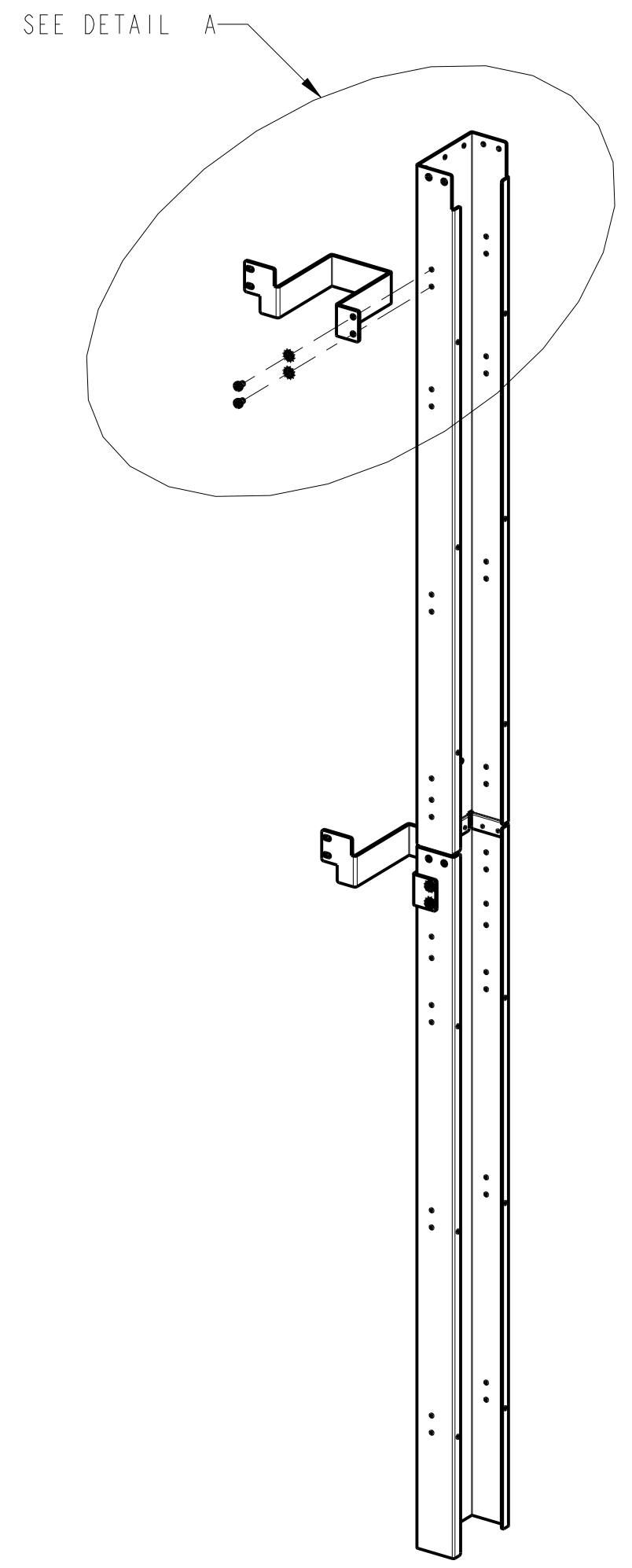
DIMENSIONS IN INCHES
THIRD ANGLE PROJECTION

STEP 1 - LEFT SIDE

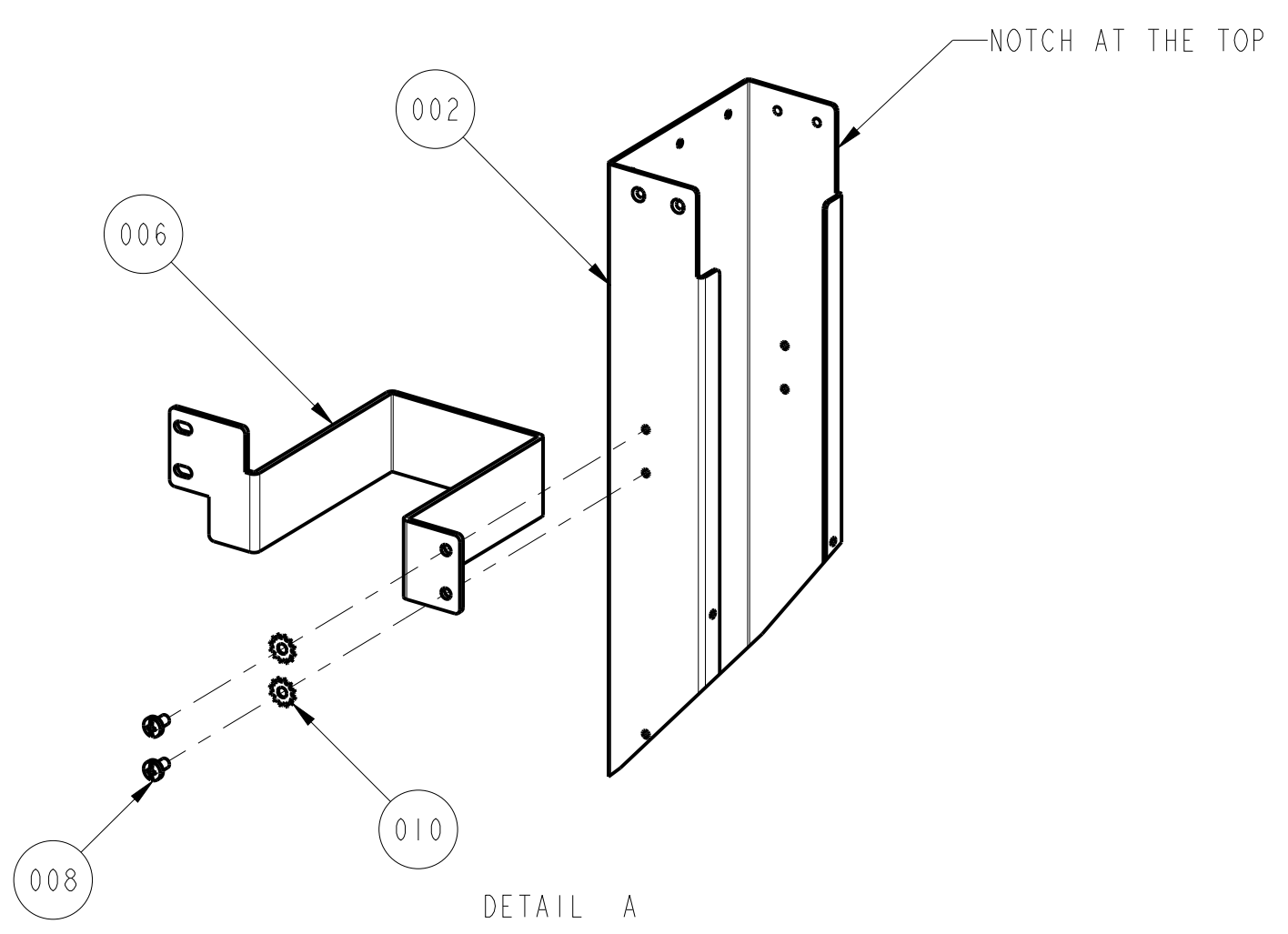


ASSEMBLE ITEM 003 TO BASE OF FRAME (LEFT SIDE) USING ITEM 010 AND 008.

STEP 2 - LEFT SIDE



ASSEMBLE ITEM 006 TO ITEM 002 USING ITEM 010 AND 008 (2 PLACES).
NOTE: MAKE SURE THE NOTCH ON ITEM 002 IS AT THE TOP.



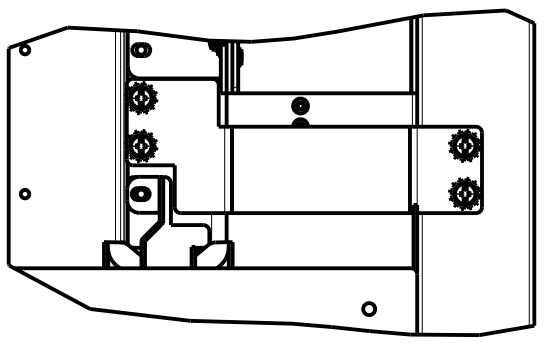
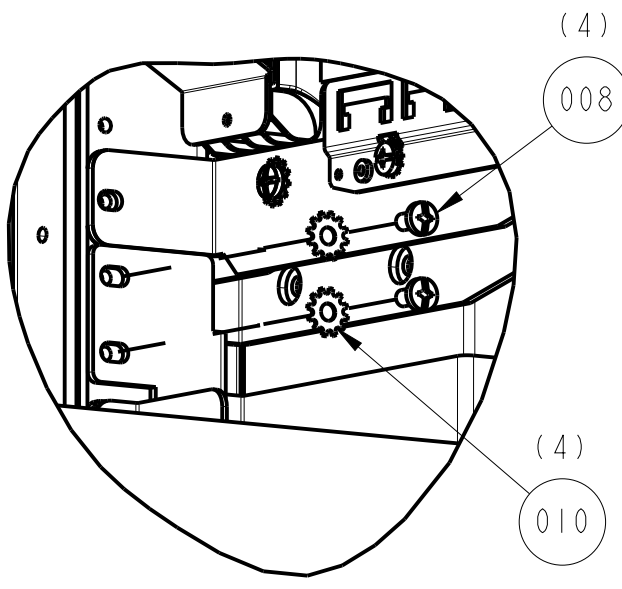
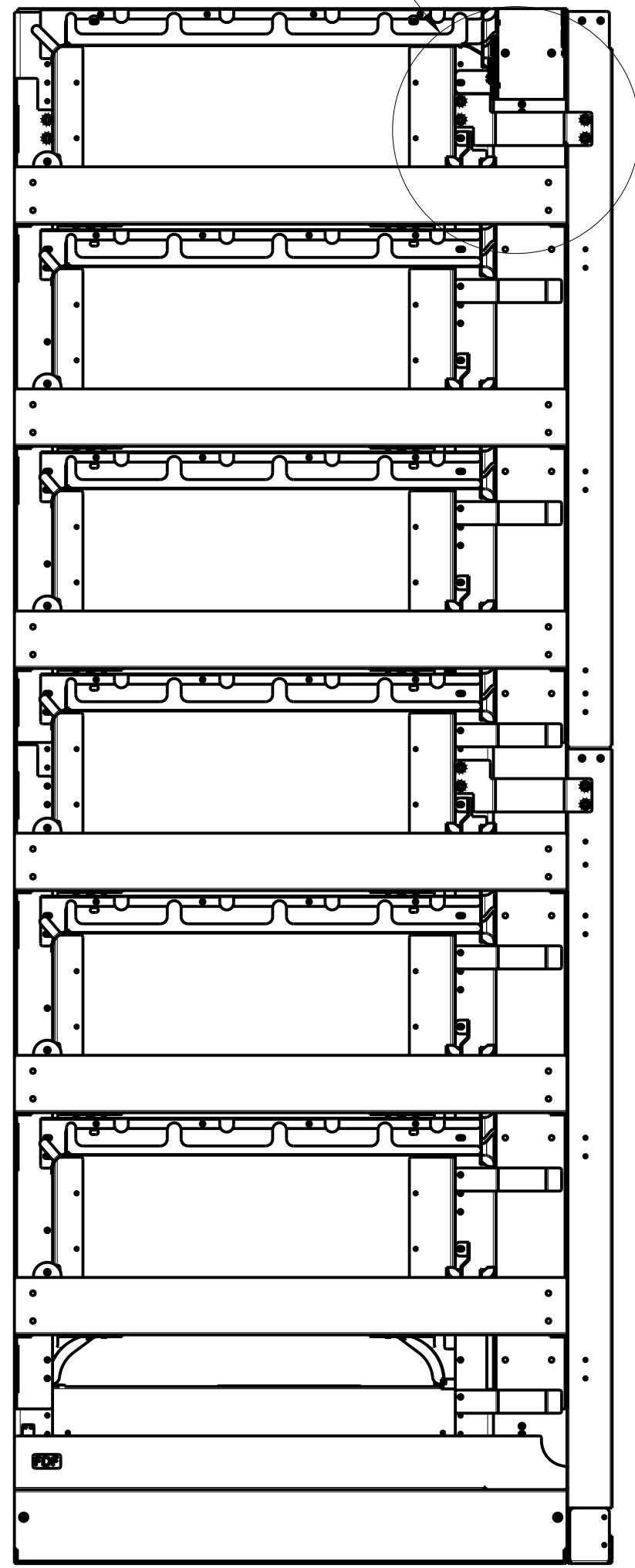
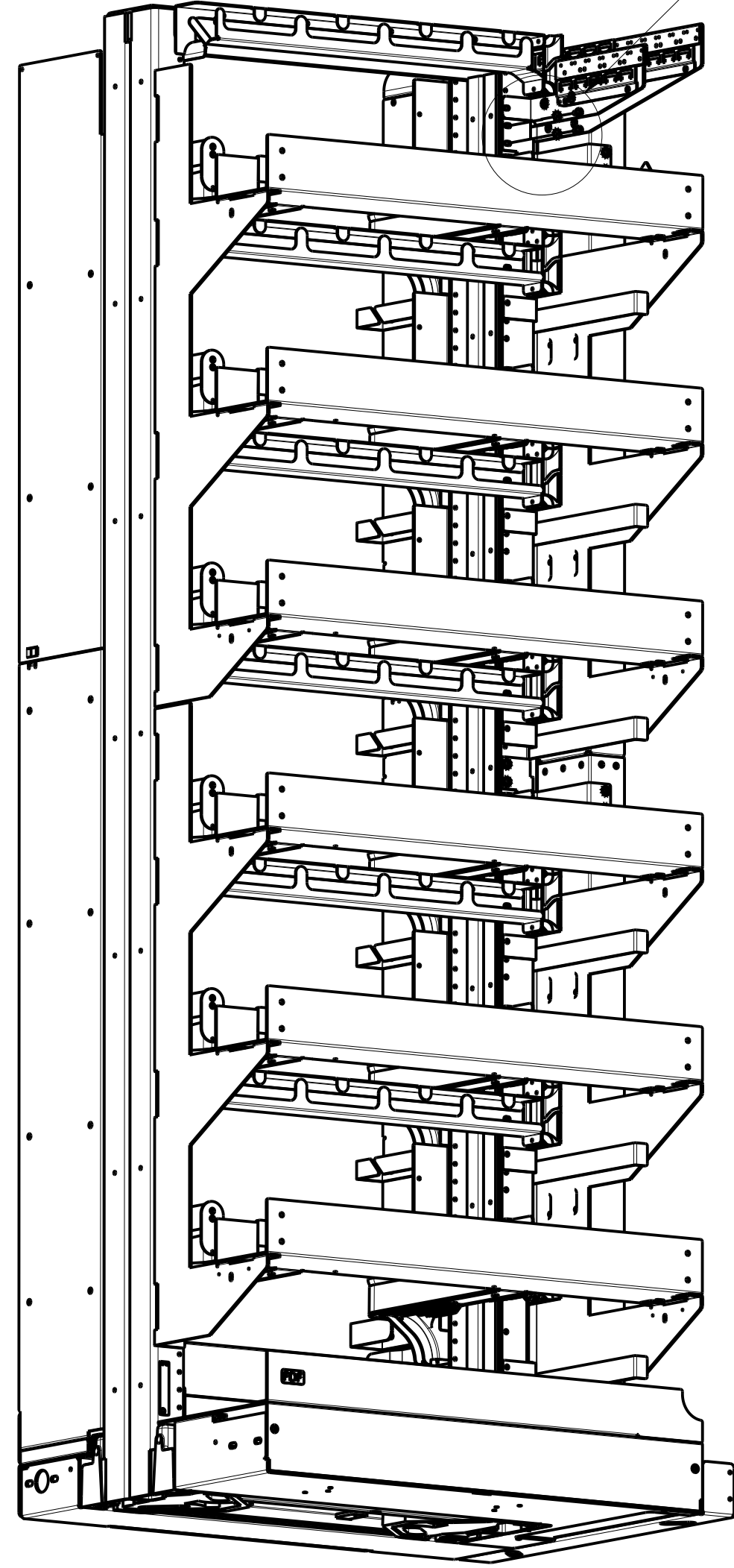
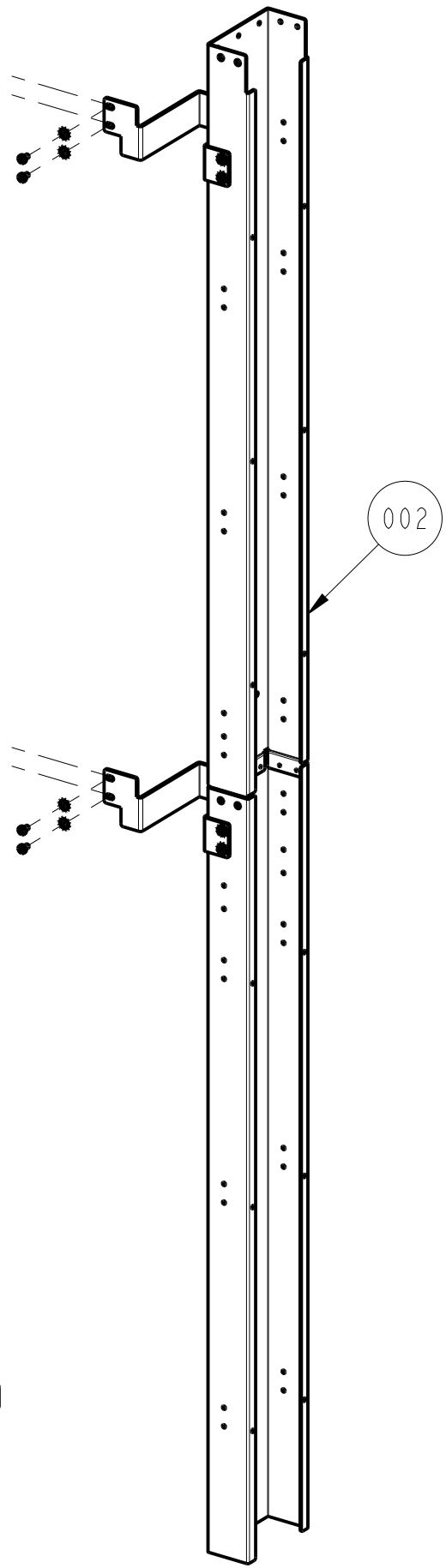
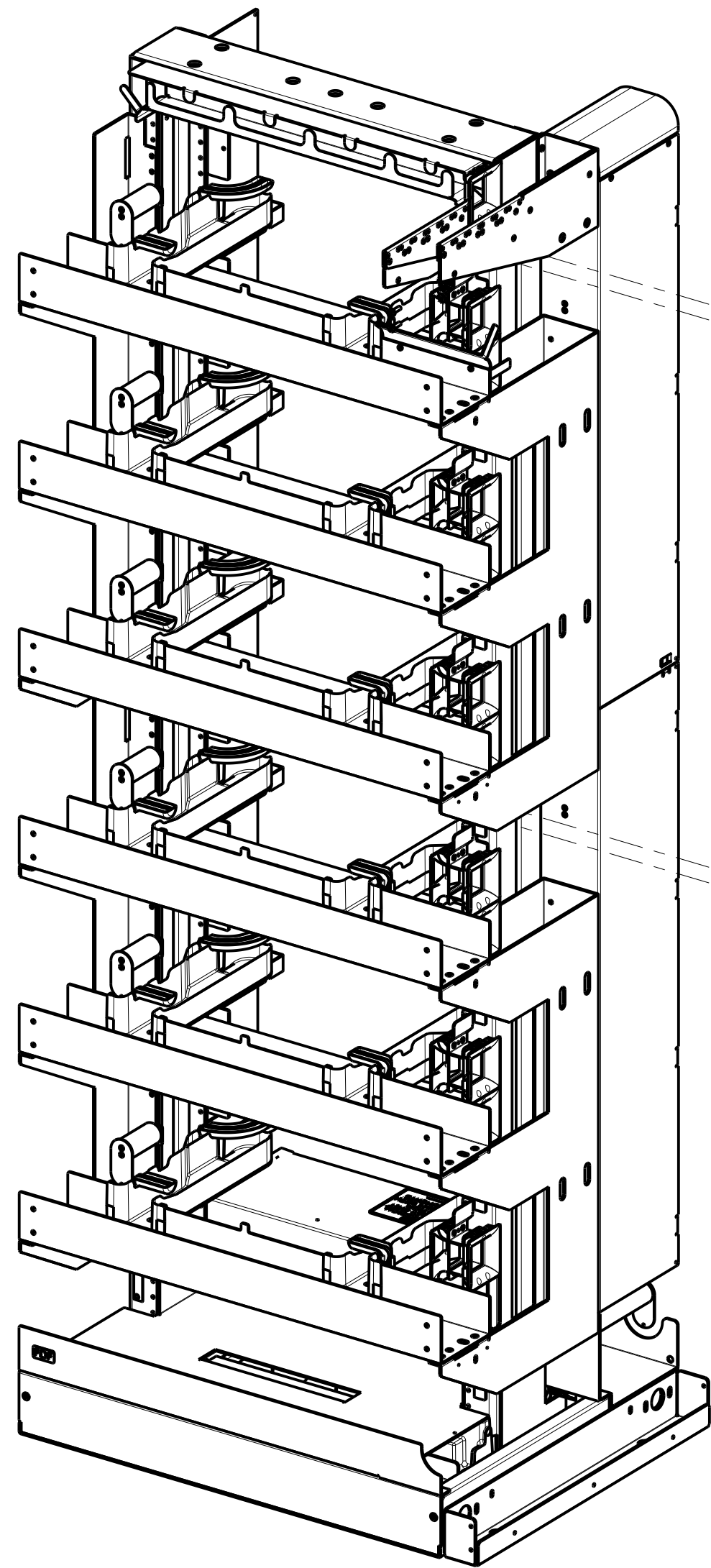
DETAIL A

COMMSCOPE, INC.

<small>© 2016 COMMSCOPE, INC. CONFIDENTIAL NOTICE: THESE DRAWINGS AND SPECIFICATIONS ARE THE PROPRIETARY PROPERTY OF COMMSCOPE, INC. AND MAY BE USED ONLY FOR THE SPECIFIC PURPOSE AUTHORIZED IN WRITING BY COMMSCOPE, INC.</small>		TITLE END GUARD NG4 INSTALLATION DRAWING	
<small>ALL DIMS AND TOLERANCES ARE INCHES UNLESS OTHERWISE SPECIFIED</small>	.XX:±.xx .XXX:±.xxx ANGULAR:±N/A	C SIZE	DRAWING NUMBER 300001760249
DO NOT SCALE DRAWING	ENGR: P. RUDENICK DWN: P. RUDENICK	SHT. 2 OF 12	D REV

DIMENSIONS IN INCHES
 THIRD ANGLE PROJECTION

STEP 3 - LEFT SIDE



DETAIL B
SCALE 0.250

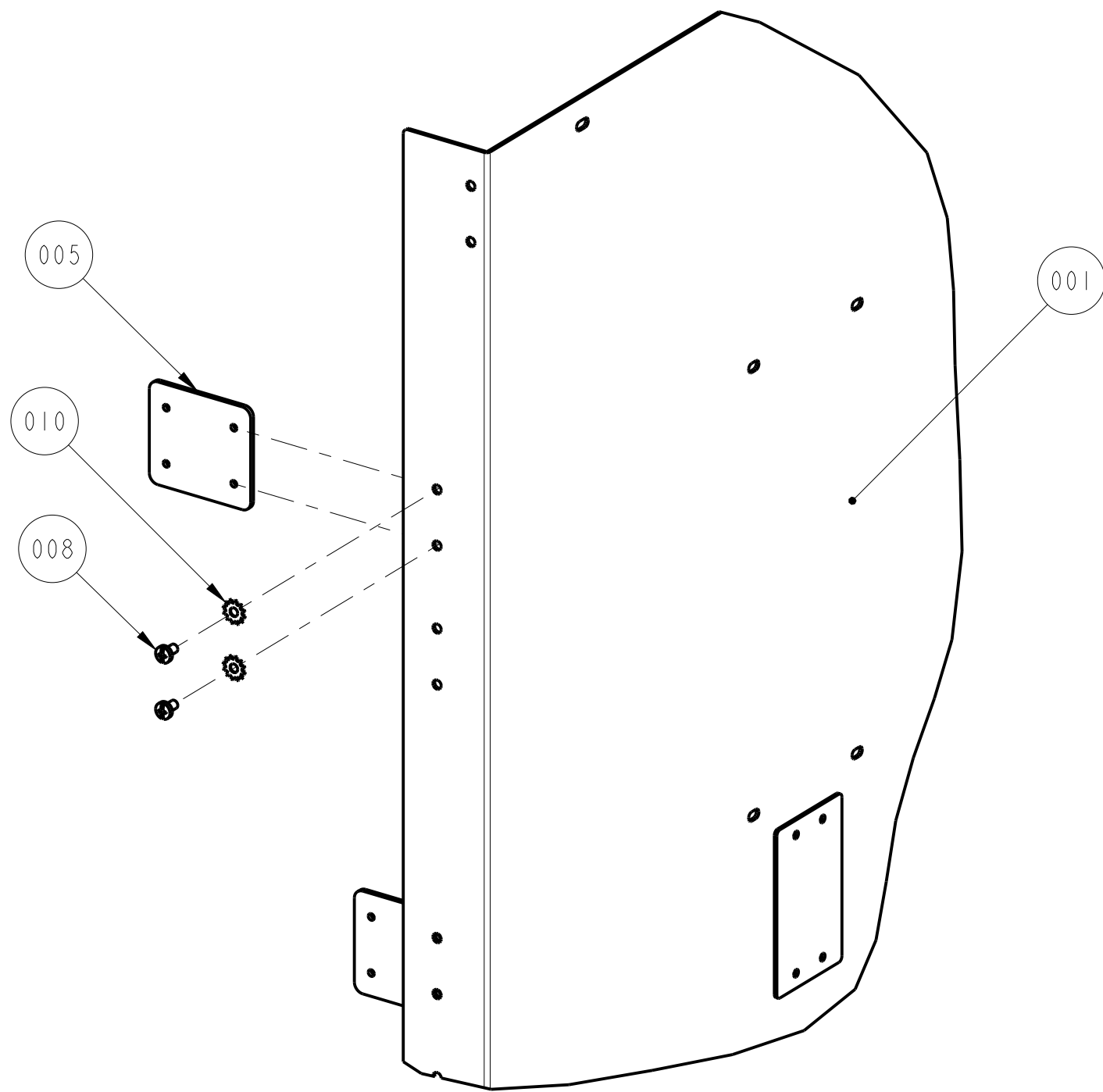
ASSEMBLE LEFT TROUGH (ITEM 002) TO FRAME USING ITEM 008 AND ITEM 010 (QTY:2)
SEE DETAIL B FOR HOLE LOCATION.

COMMSCOPE, INC.

<small>© 2016 COMMSCOPE, INC. CONFIDENTIAL NOTICE: THESE DRAWINGS AND SPECIFICATIONS ARE THE PROPRIETARY PROPERTY OF COMMSCOPE, INC. AND MAY BE USED ONLY FOR THE SPECIFIC PURPOSE AUTHORIZED IN WRITING BY COMMSCOPE, INC.</small>		TITLE END GUARD NG4 INSTALLATION DRAWING	
<small>ALL DIMS AND TOLERANCES ARE INCHES UNLESS OTHERWISE SPECIFIED</small>	<small>.XX:±.XX .XXX:±.XXX ANGULAR:±N/A</small>	C SIZE DRAWING NUMBER 300001760249	D REV
DO NOT SCALE DRAWING		ENGR: P. RUDENICK DWN: P. RUDENICK	SHT. 3 OF 12

DIMENSIONS IN INCHES
THIRD ANGLE PROJECTION

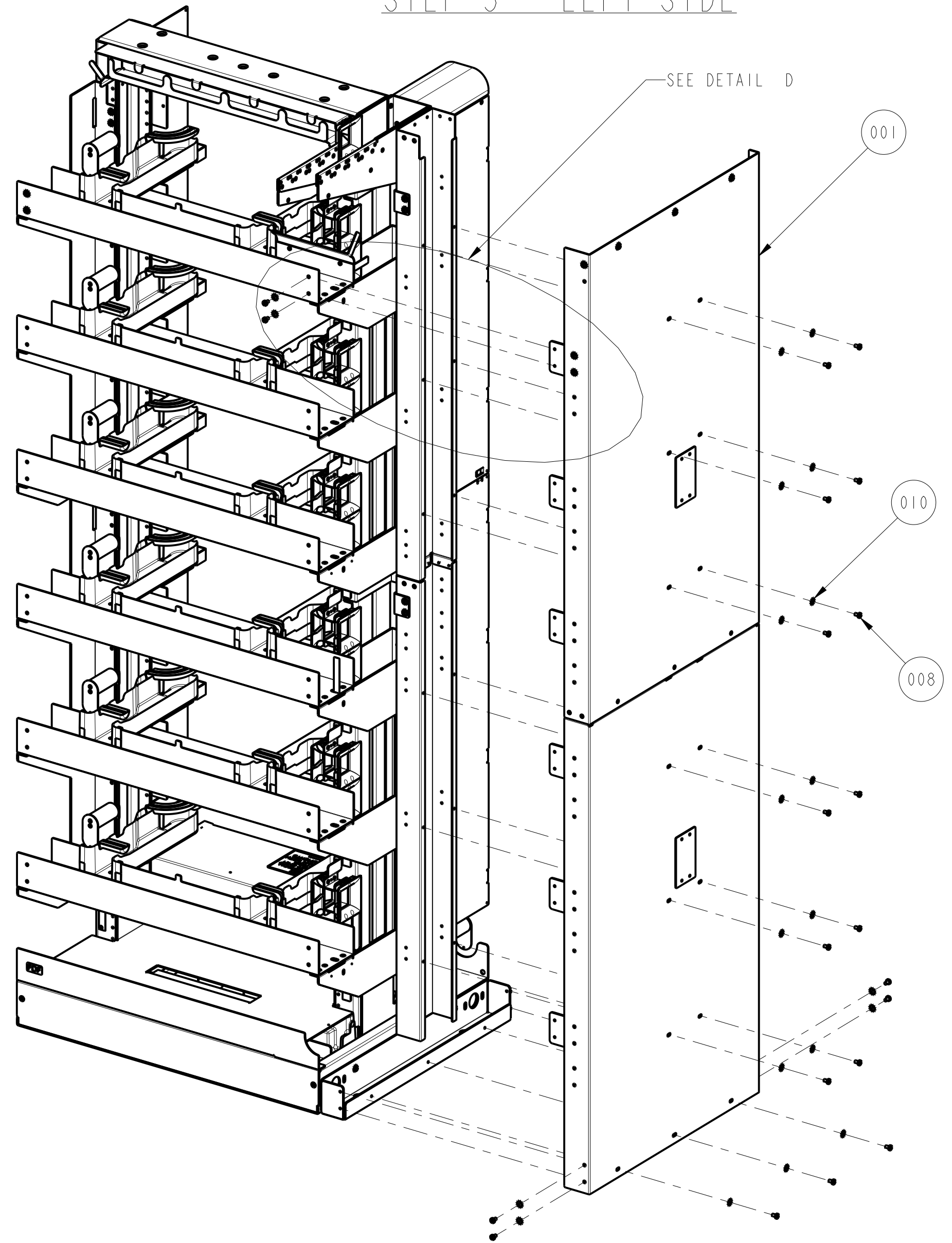
STEP 4 - LEFT SIDE



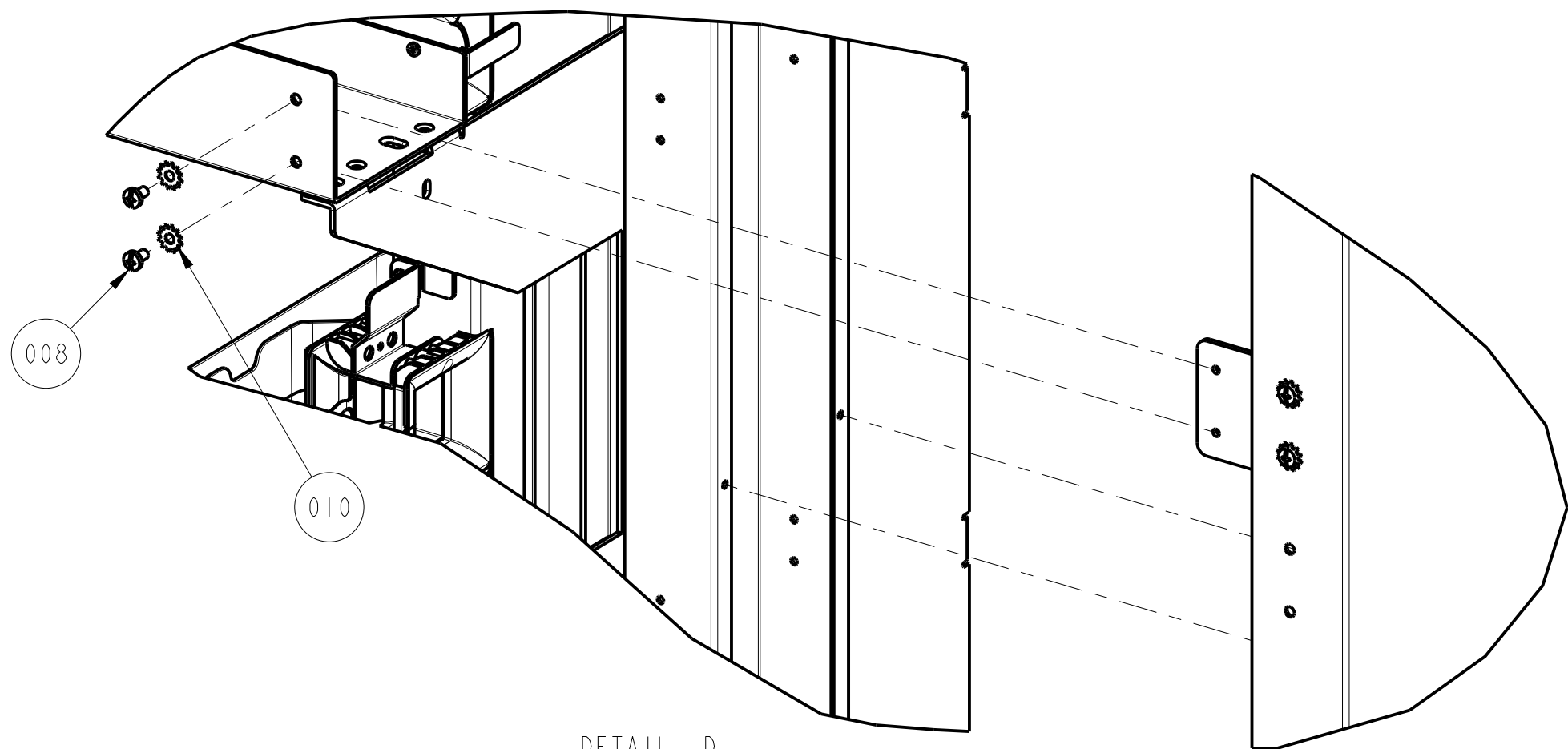
ASSEMBLE ITEM 005 TO ITEM 001 USING ITEM 010 AND 008.
(6 PLACES)

NOTE: ROUTE ELECTRICAL CONDUIT IF REQUIRED BEFORE
MOVING ONTO STEP 5.

STEP 5 - LEFT SIDE



ASSEMBLE ITEM 001 TO LEFT SIDE OF FRAME USING ITEM
010 AND 008.



DETAIL D
(6 PLACES)

© 2016 COMMSCOPE, INC. CONFIDENTIAL NOTICE: THESE DRAWINGS AND SPECIFICATIONS ARE THE PROPRIETARY PROPERTY OF COMMSCOPE, INC. AND MAY BE USED ONLY FOR THE SPECIFIC PURPOSE AUTHORIZED IN WRITING BY COMMSCOPE, INC.		TITLE END GUARD NG4 INSTALLATION DRAWING	
ALL DIMS AND TOLERANCES .XX:±xx ARE INCHES UNLESS .XXX:±xxx OTHERWISE SPECIFIED ANGULAR:±N/A		C SIZE	DRAWING NUMBER 300001760249
DO NOT SCALE DRAWING		ENGR: P. RUDENICK DWN: P. RUDENICK	D REV SHT. 4 OF 12

COMMSCOPE, INC.

DIMENSIONS IN INCHES
THIRD ANGLE PROJECTION

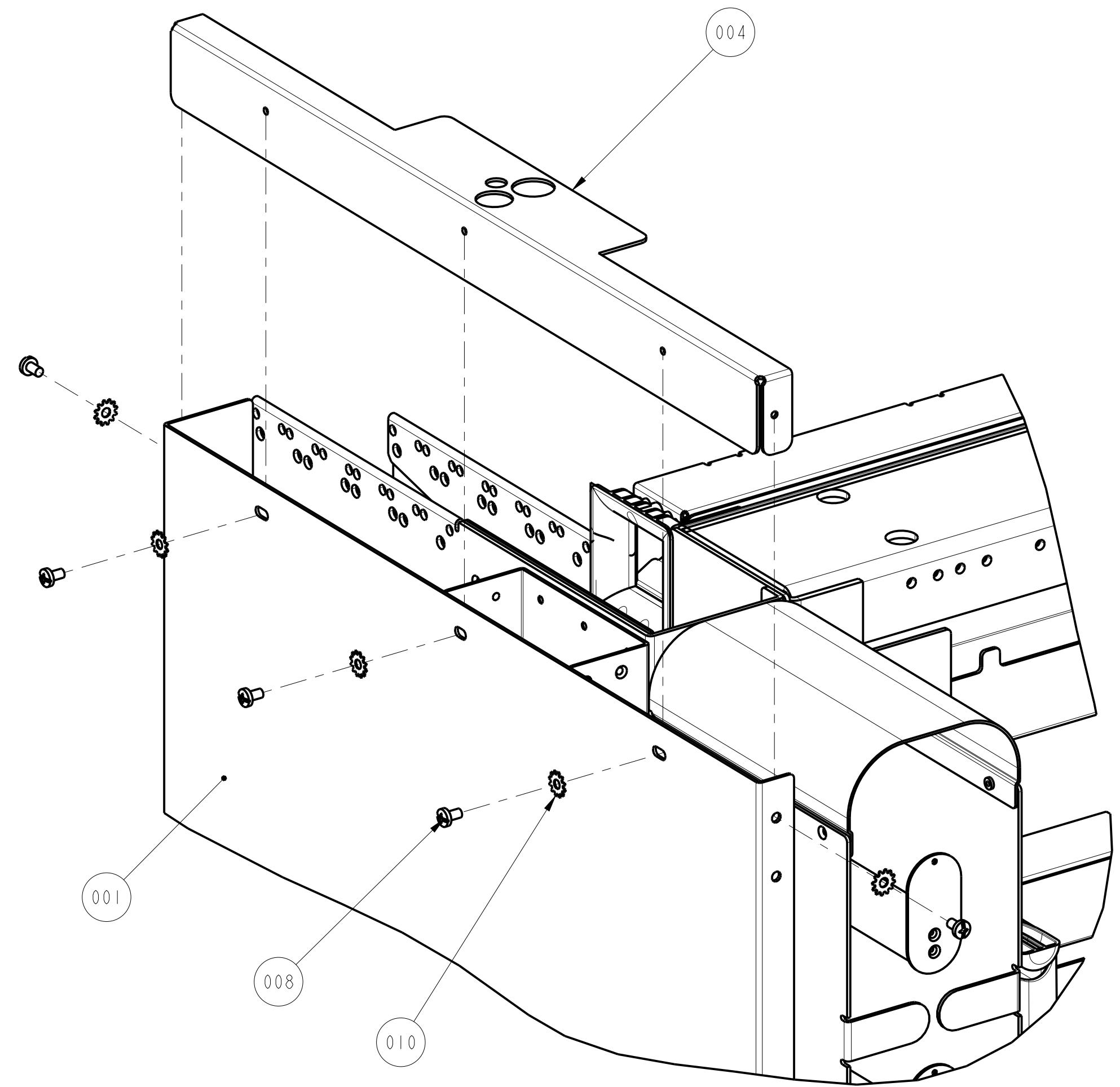
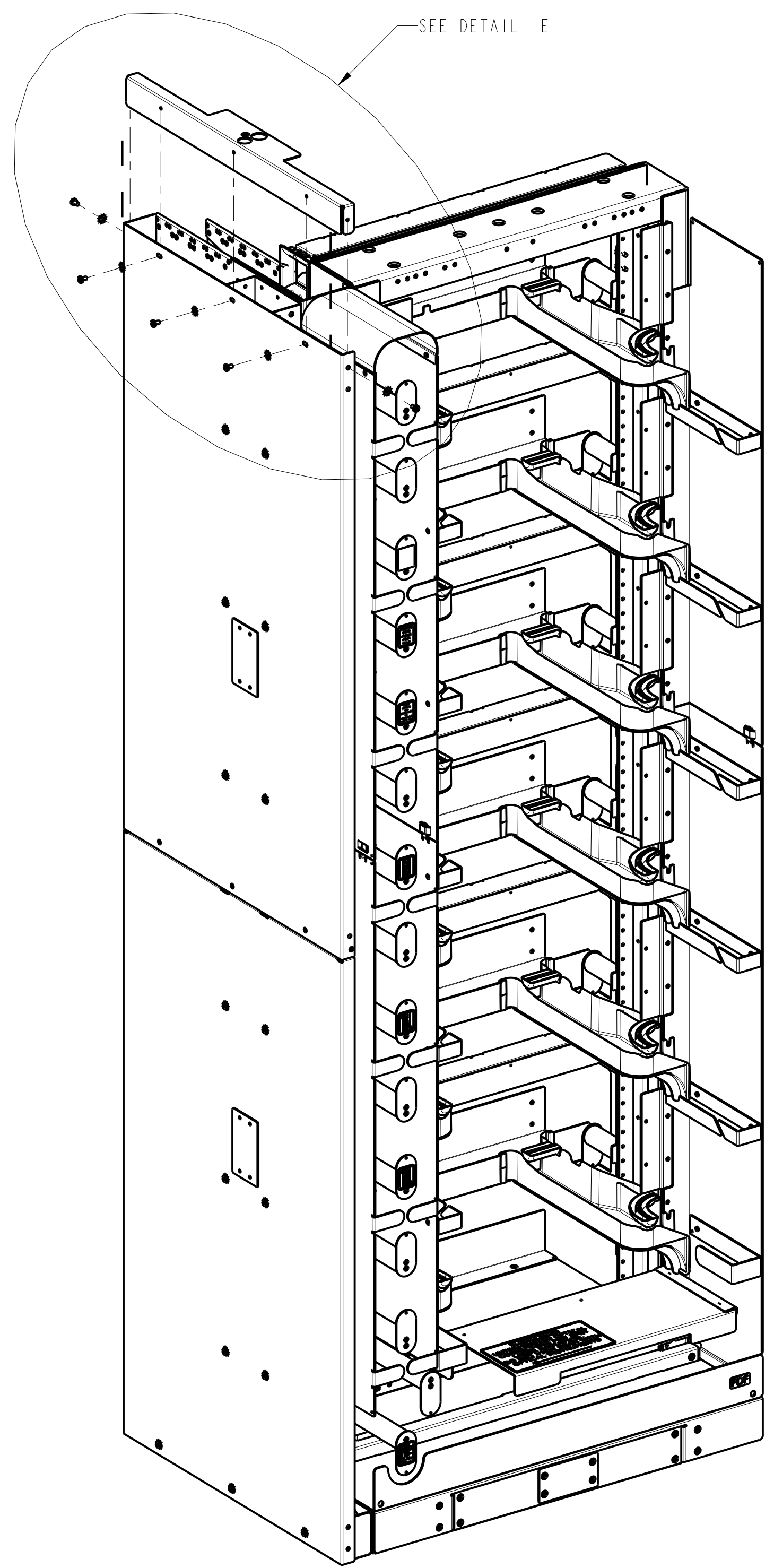
A

B

C

D

STEP 6 - LEFT SIDE



DETAIL E

ASSEMBLE ITEM 004 TO ITEM 001 USING ITEM 010 AND 008.
(SEE DETAIL E).

COMMSCOPE, INC.

© 2016 COMMSCOPE, INC. CONFIDENTIAL
 NOTICE: THESE DRAWINGS AND SPECIFICATIONS
 ARE THE PROPRIETARY PROPERTY OF
 COMMSCOPE, INC. AND MAY BE USED ONLY FOR THE
 SPECIFIC PURPOSE AUTHORIZED IN WRITING BY
 COMMSCOPE, INC.

TITLE
 END GUARD NG4
 INSTALLATION DRAWING

ALL DIMS AND TOLERANCES .XX:±.XX
 ARE INCHES UNLESS .XXX:±.XXX
 OTHERWISE SPECIFIED ANGULAR:±N/A

DRAWING NUMBER
 300001760249

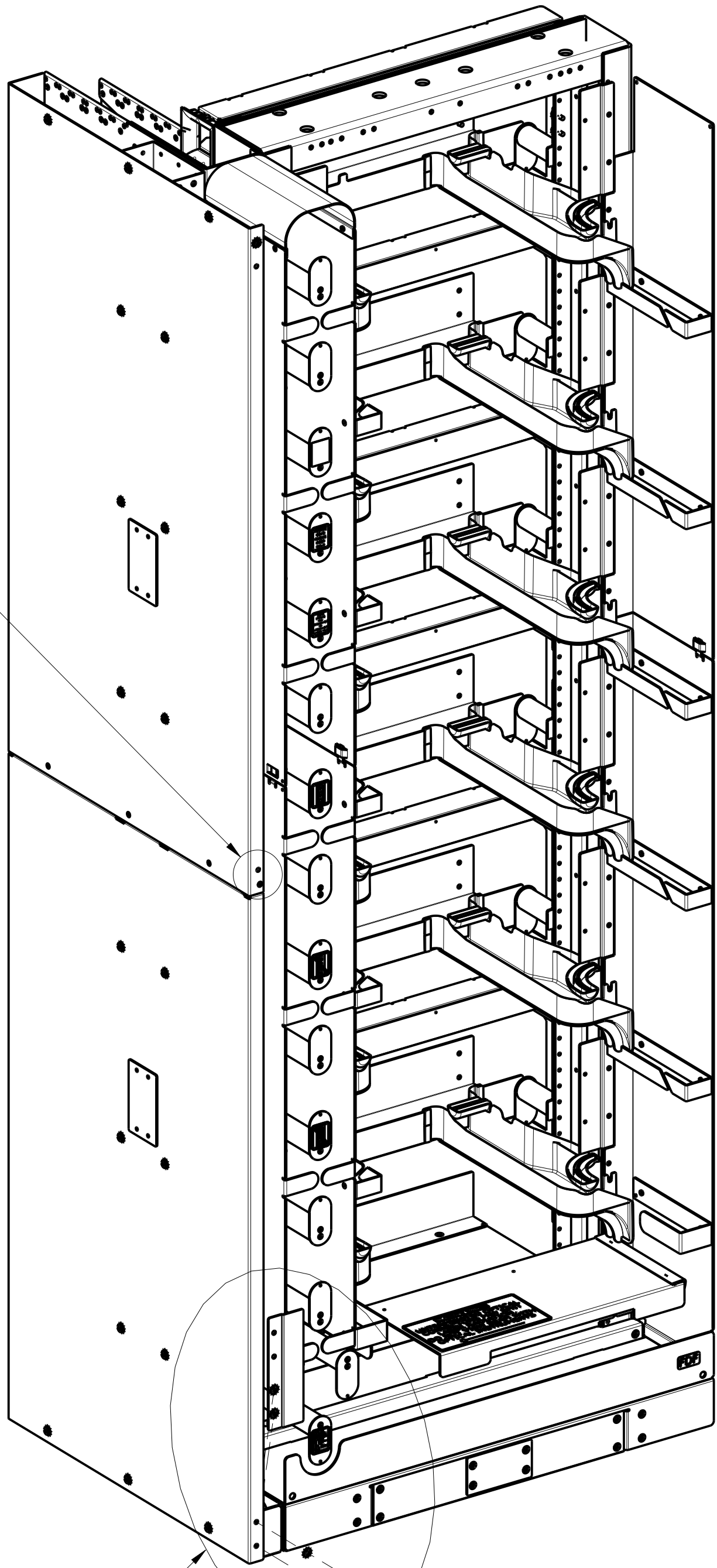
DO NOT SCALE DRAWING

ENGR: P. RUDENICK
 DWN: P. RUDENICK

SHT. 5 OF 12

DIMENSIONS IN INCHES
 THIRD ANGLE PROJECTION

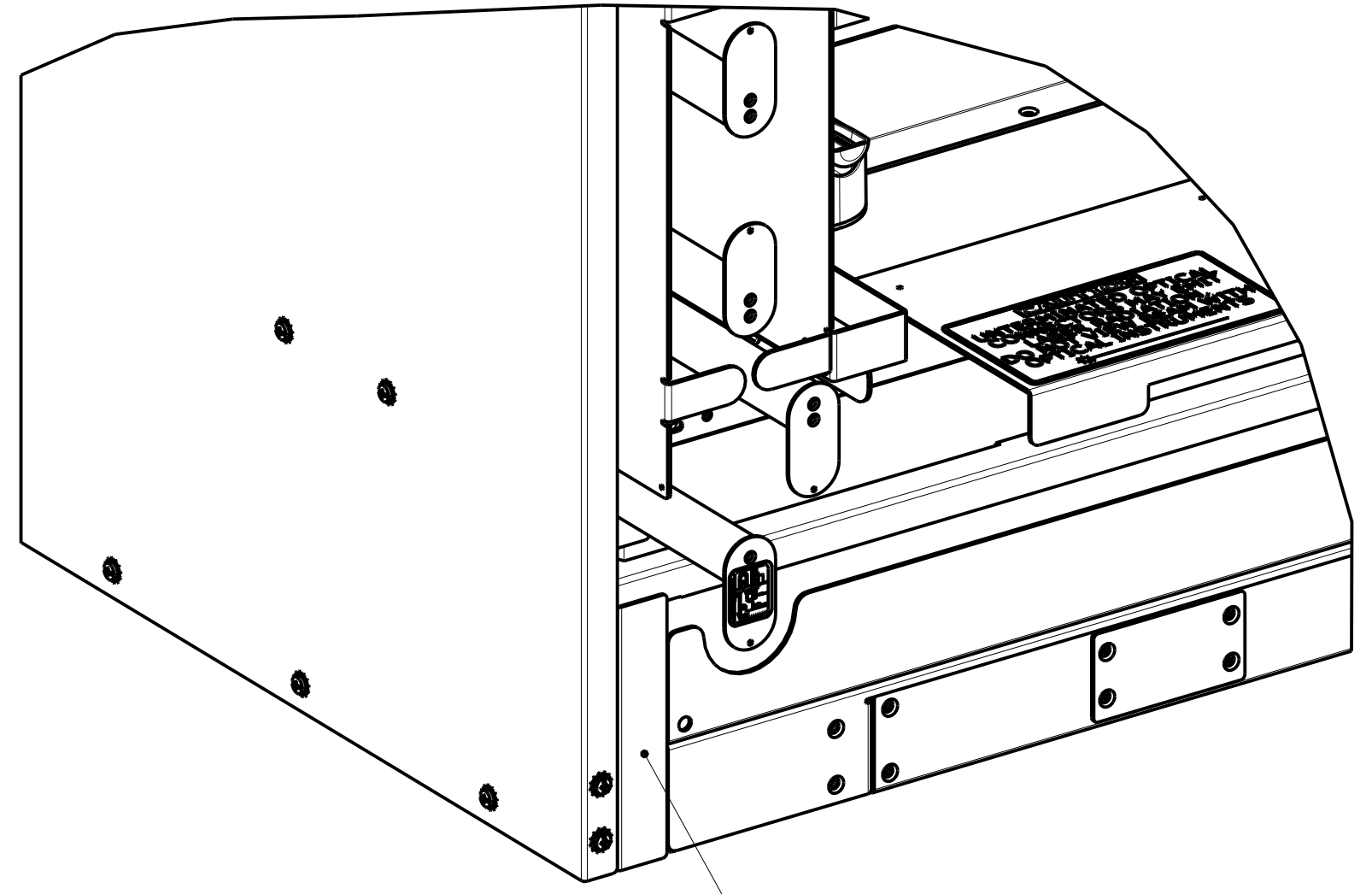
STEP 7 - LEFT SIDE



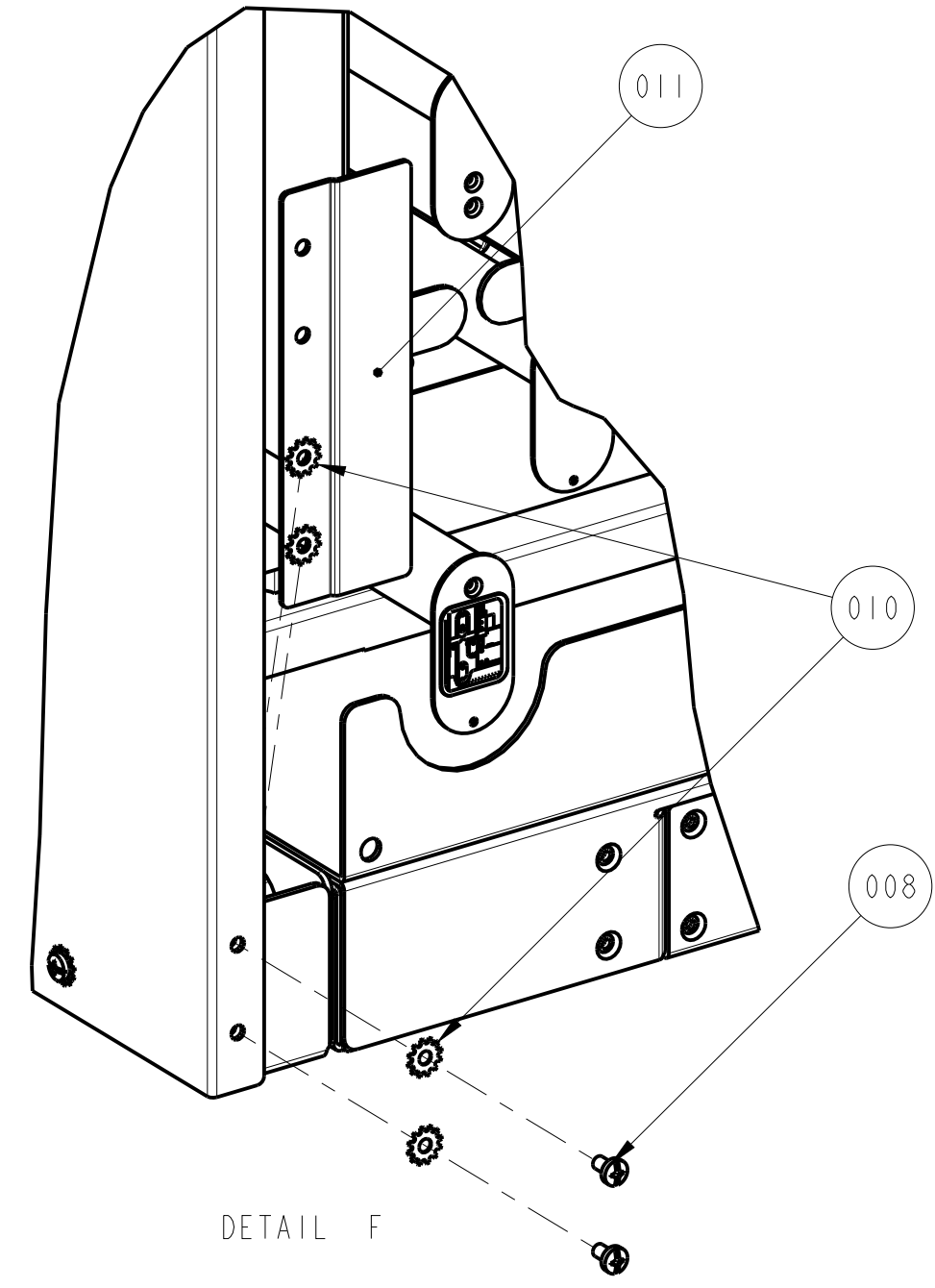
SEE DETAIL G

SEE DETAIL F

ASSEMBLE ITEM 011 TO END GUARD USING ITEM 010 AND 008

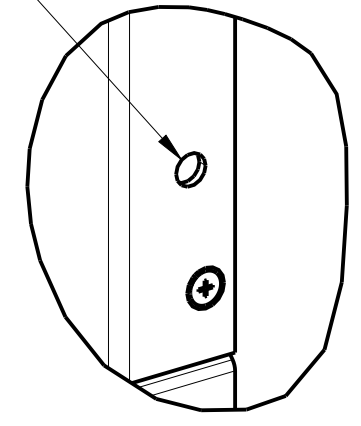


NOTE THAT ITEM 010 AND 011 INSERTS BETWEEN OUTER PANEL AND BASE OF END GUARD.



DETAIL F

ATTACH ITEM 013 TO THE HOLE SHOWN IN DETAIL G.



DETAIL G

© 2016 COMMSCOPE, INC. CONFIDENTIAL
 NOTICE: THESE DRAWINGS AND SPECIFICATIONS ARE THE PROPRIETARY PROPERTY OF COMMSCOPE, INC. AND MAY BE USED ONLY FOR THE SPECIFIC PURPOSE AUTHORIZED IN WRITING BY COMMSCOPE, INC.

TITLE END GUARD NG4
 INSTALLATION DRAWING

ALL DIMS AND TOLERANCES .XX:±.XX
 ARE INCHES UNLESS .XXX:±.XXX
 OTHERWISE SPECIFIED ANGULAR:±N/A

C DRAWING NUMBER 300001760249 D REV

COMMSCOPE, INC.

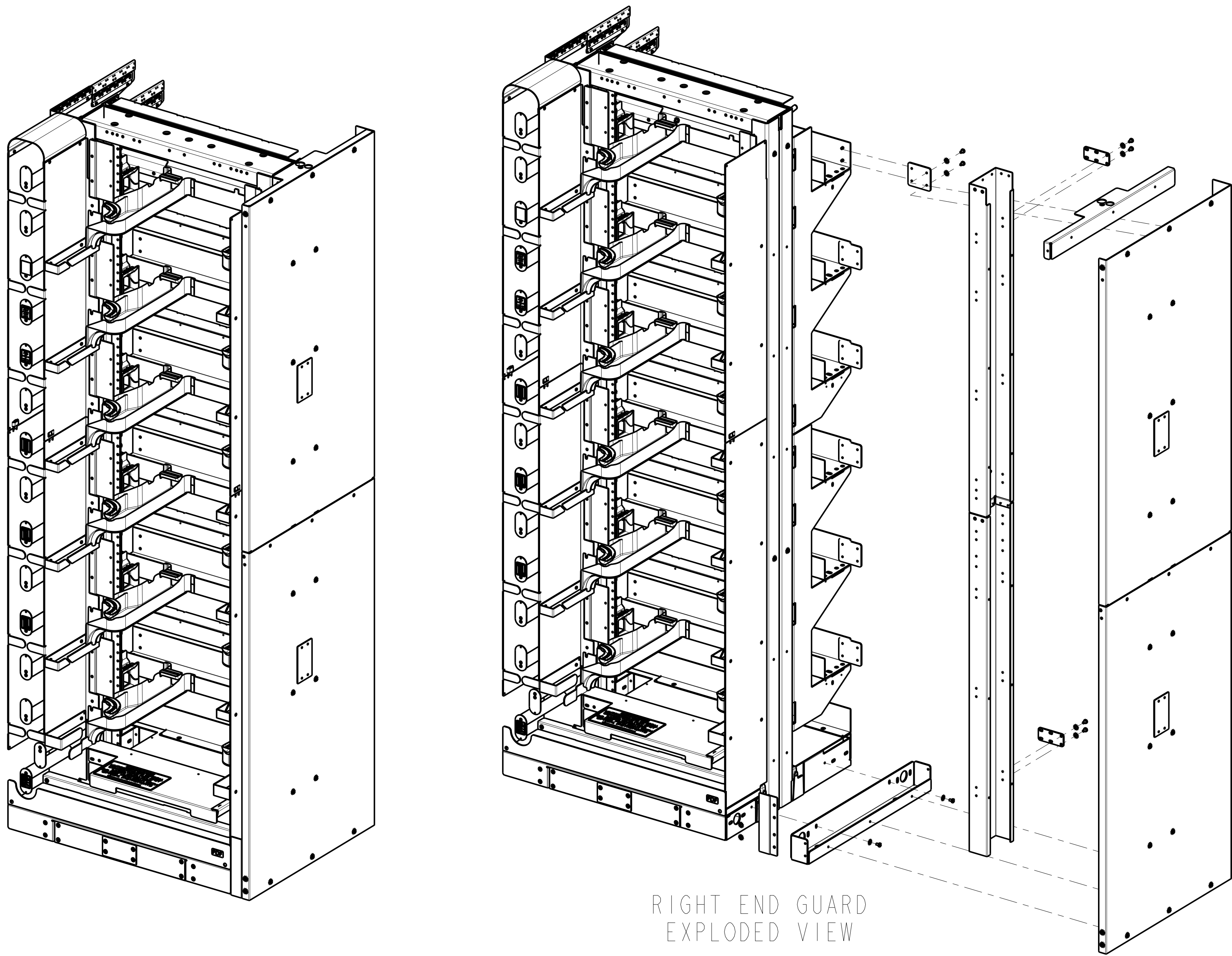
DO NOT SCALE DRAWING

ENGR: P. RUDENICK
 DWN: P. RUDENICK

SHT. 6 OF 12

DIMENSIONS IN INCHES
 THIRD ANGLE PROJECTION

RIGHT END GUARD INSTALLATION



RIGHT END GUARD
EXPLODED VIEW

COMMSCOPE, INC.

© 2016 COMMSCOPE, INC. CONFIDENTIAL
NOTICE: THESE DRAWINGS AND SPECIFICATIONS
ARE THE PROPRIETARY PROPERTY OF
COMMSCOPE, INC. AND MAY BE USED ONLY FOR THE
SPECIFIC PURPOSE AUTHORIZED IN WRITING BY
COMMSCOPE, INC.

ALL DIMS AND TOLERANCES .XX:±.xx
ARE INCHES UNLESS .XXX:±.xxx
OTHERWISE SPECIFIED ANGULAR:±N/A

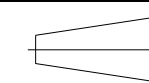
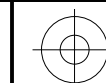
DO NOT SCALE DRAWING

ENGR: P. RUDENICK
DWN: P. RUDENICK

TITLE END GUARD NG4
INSTALLATION DRAWING

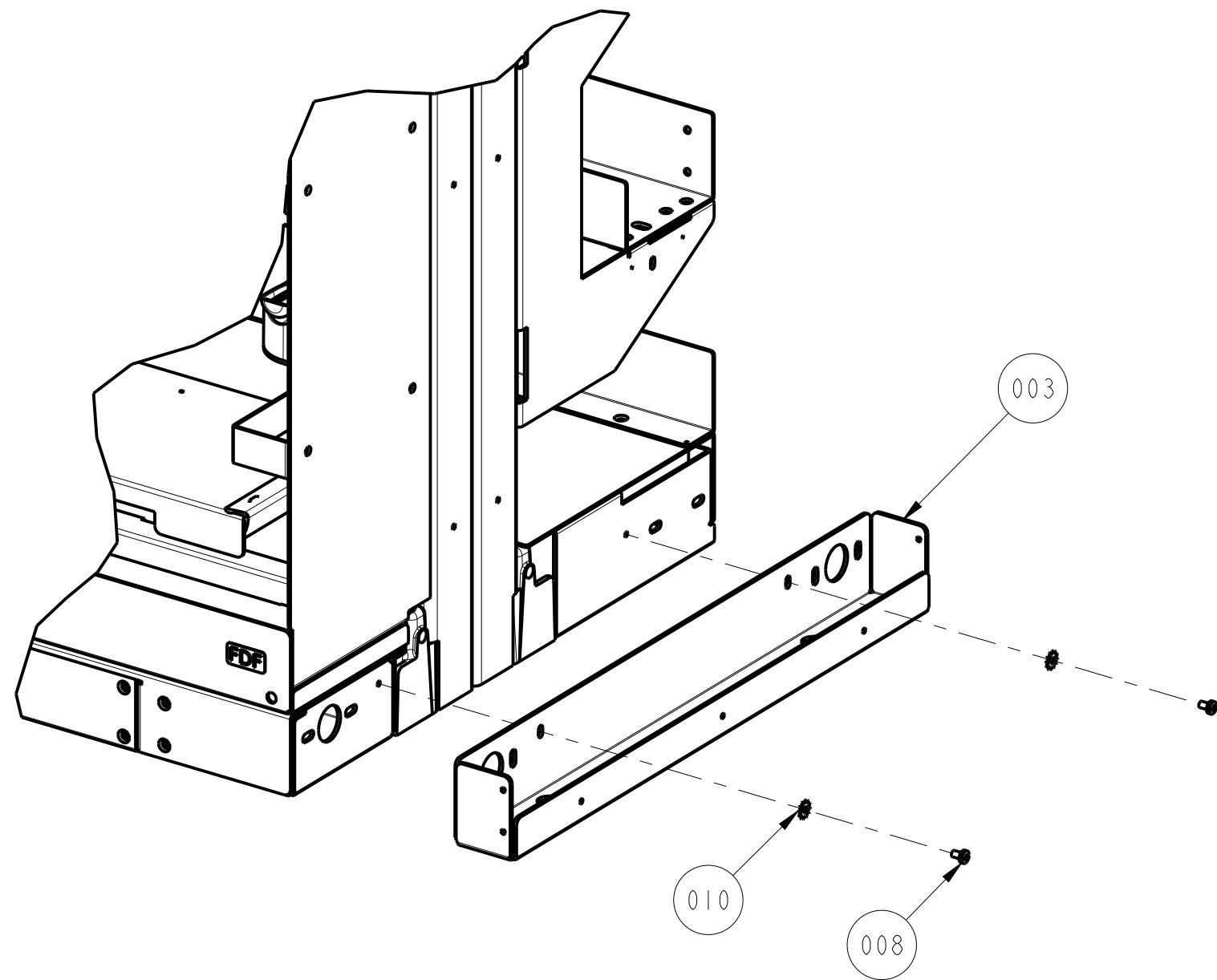
DRAWING NUMBER
300001760249

SHT. 7 OF 12



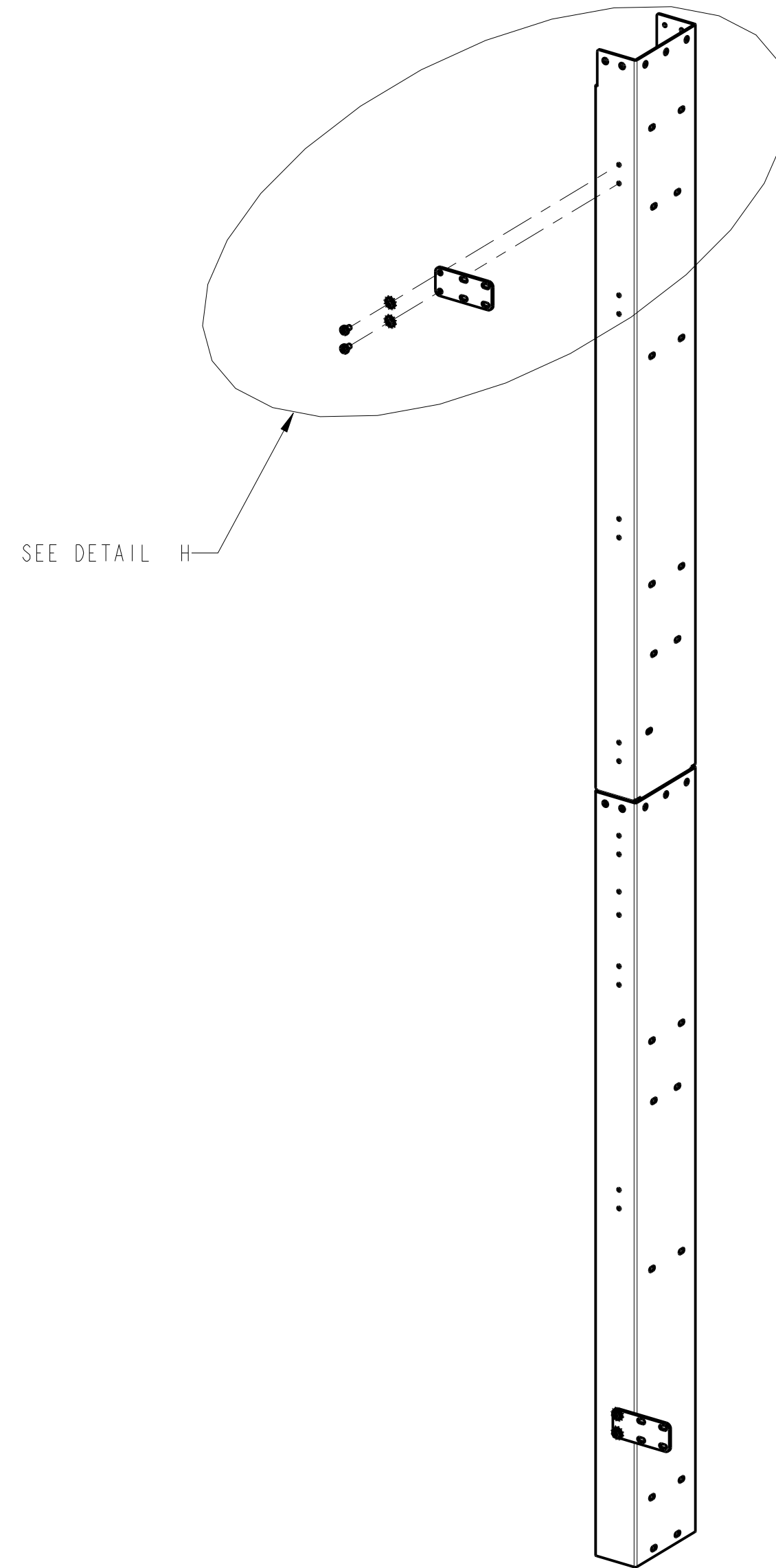
DIMENSIONS IN INCHES
THIRD ANGLE PROJECTION

STEP 1 - RIGHT SIDE



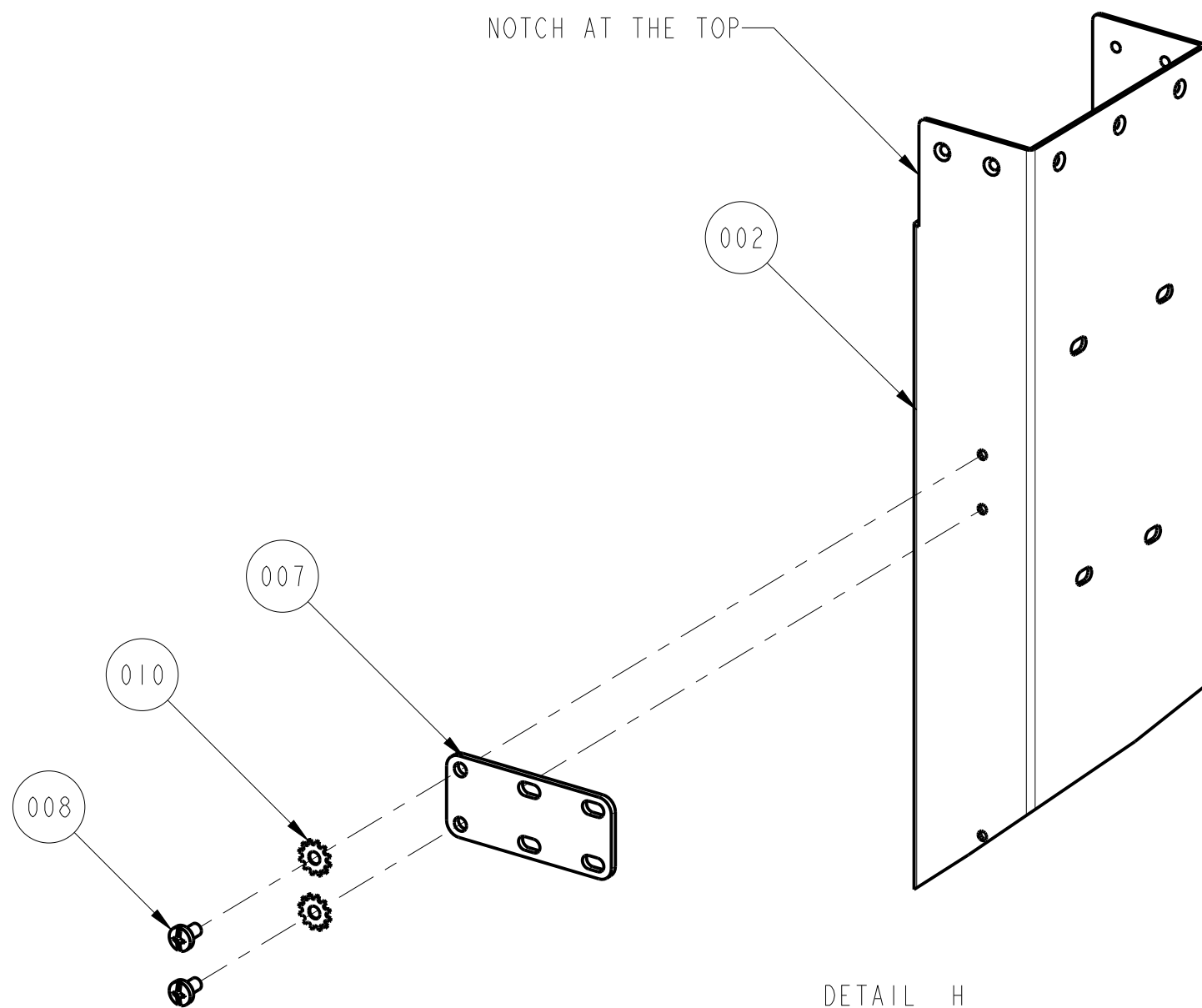
ASSEMBLE ITEM 003 TO BASE OF FRAME (RIGHT SIDE) USING ITEM 010 AND 008.

STEP 2 - RIGHT SIDE



ASSEMBLE ITEM 007 TO ITEM 002 USING ITEM 010 AND 008 (2 PLACES).
NOTE: MAKE SURE THE NOTCH ON ITEM 002 IS AT THE TOP.

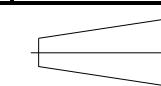
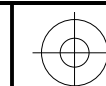
NOTCH AT THE TOP



DETAIL H

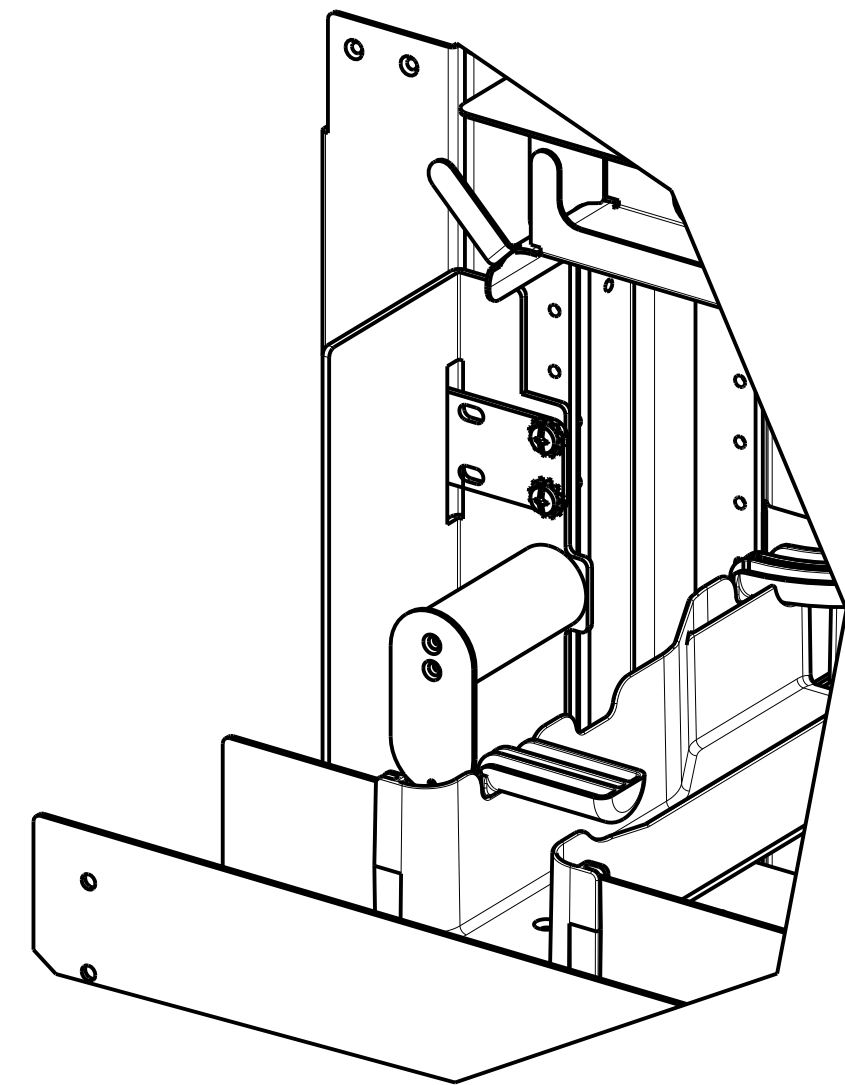
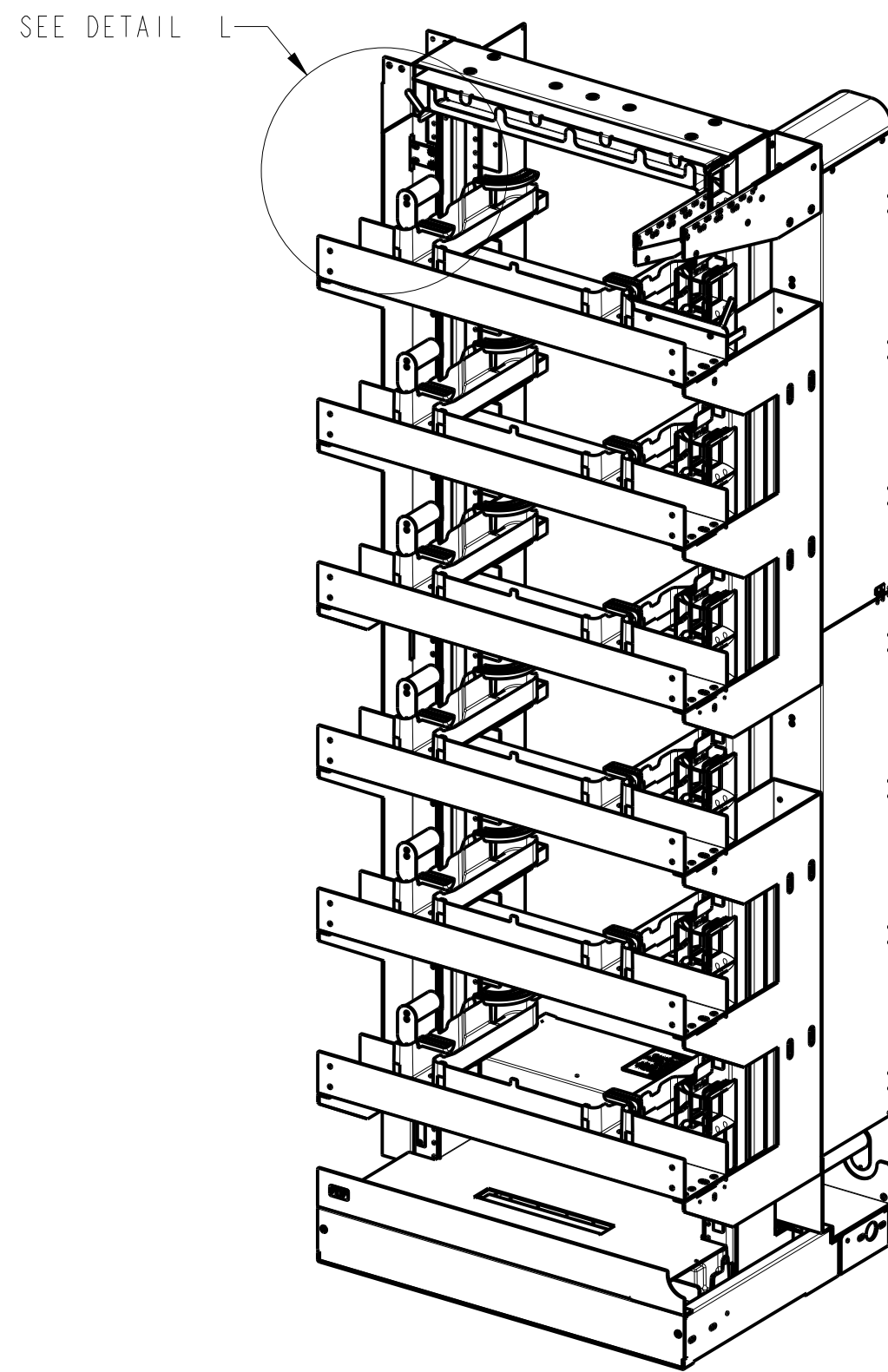
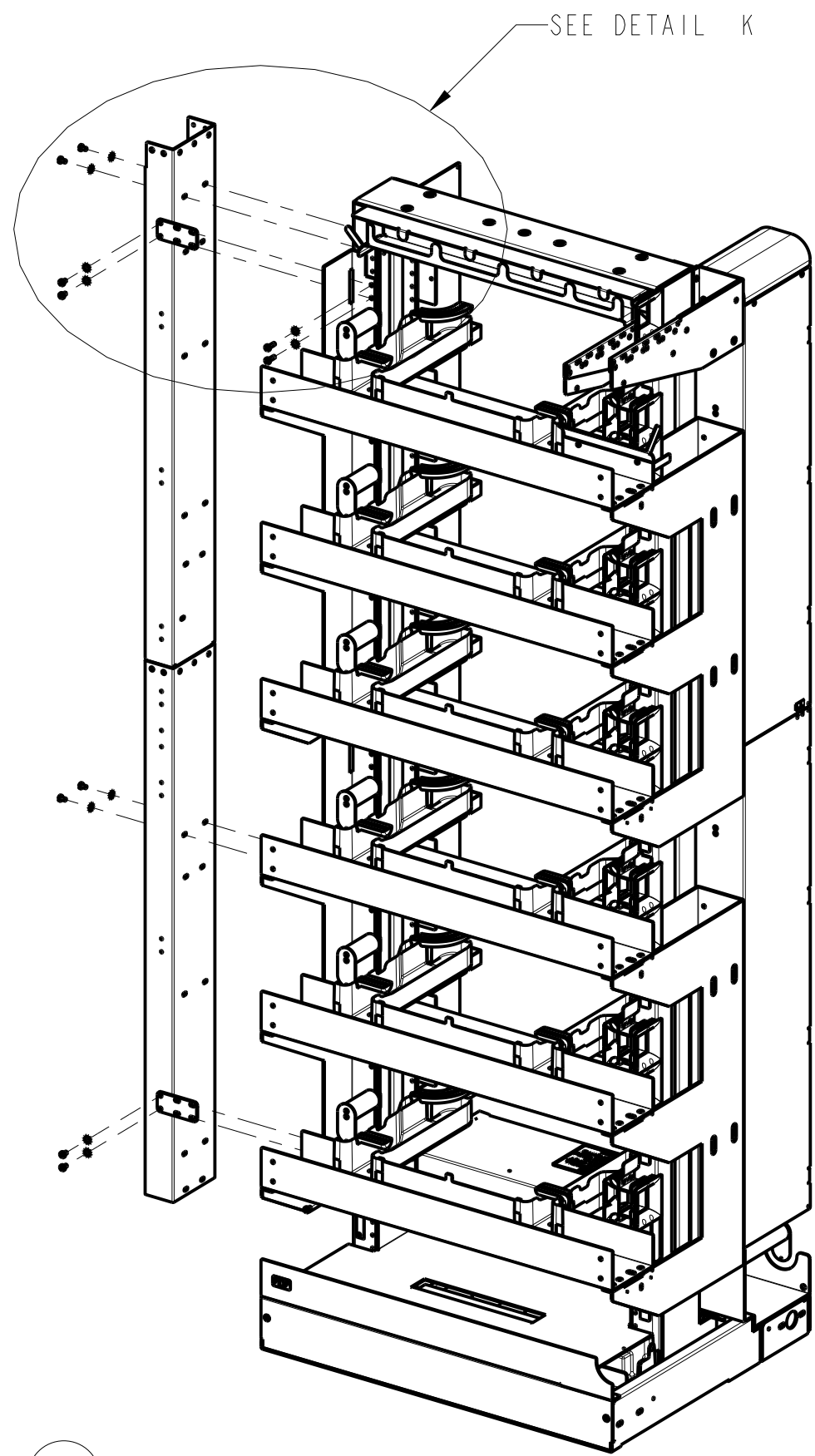
COMMSCOPE, INC.

© 2016 COMMSCOPE, INC. CONFIDENTIAL NOTICE: THESE DRAWINGS AND SPECIFICATIONS ARE THE PROPRIETARY PROPERTY OF COMMSCOPE, INC. AND MAY BE USED ONLY FOR THE SPECIFIC PURPOSE AUTHORIZED IN WRITING BY COMMSCOPE, INC.		TITLE END GUARD NG4 INSTALLATION DRAWING	
ALL DIMS AND TOLERANCES ARE INCHES UNLESS OTHERWISE SPECIFIED	.XX:±.xx .XXX:±.xxx ANGULAR:±N/A	C SIZE DRAWING NUMBER 300001760249	D REV
DO NOT SCALE DRAWING	ENGR: P. RUDENICK DWN: P. RUDENICK	SHT. 8 OF 12	

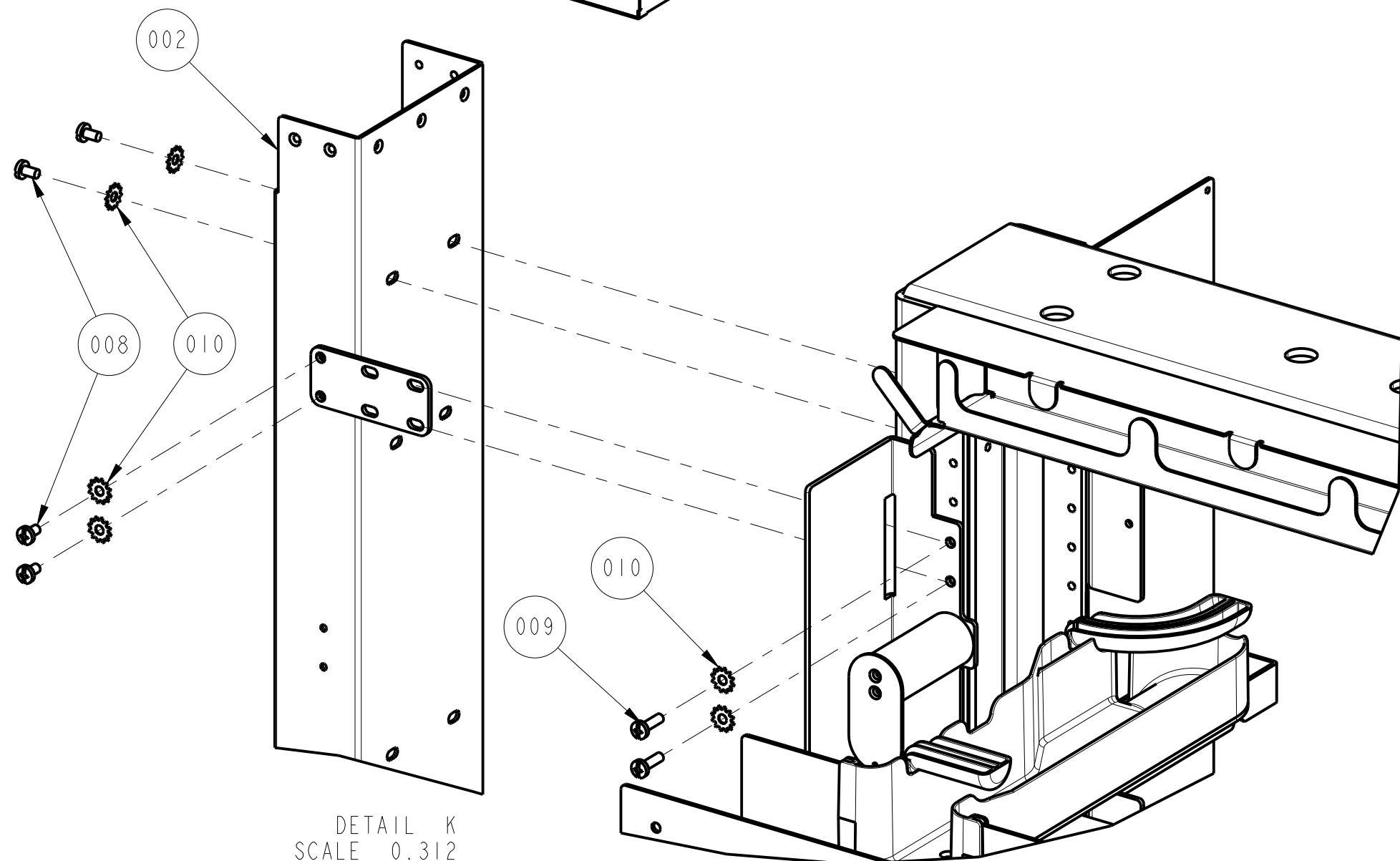


DIMENSIONS IN INCHES
THIRD ANGLE PROJECTION

STEP 3 - RIGHT SIDE



DETAIL L
SCALE 0.350

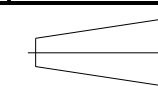
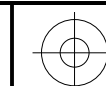


DETAIL K
SCALE 0.312

ASSEMBLE RIGHT BRACKET (ITEM 007) TO FRAME USING ITEM 010 AND 009.

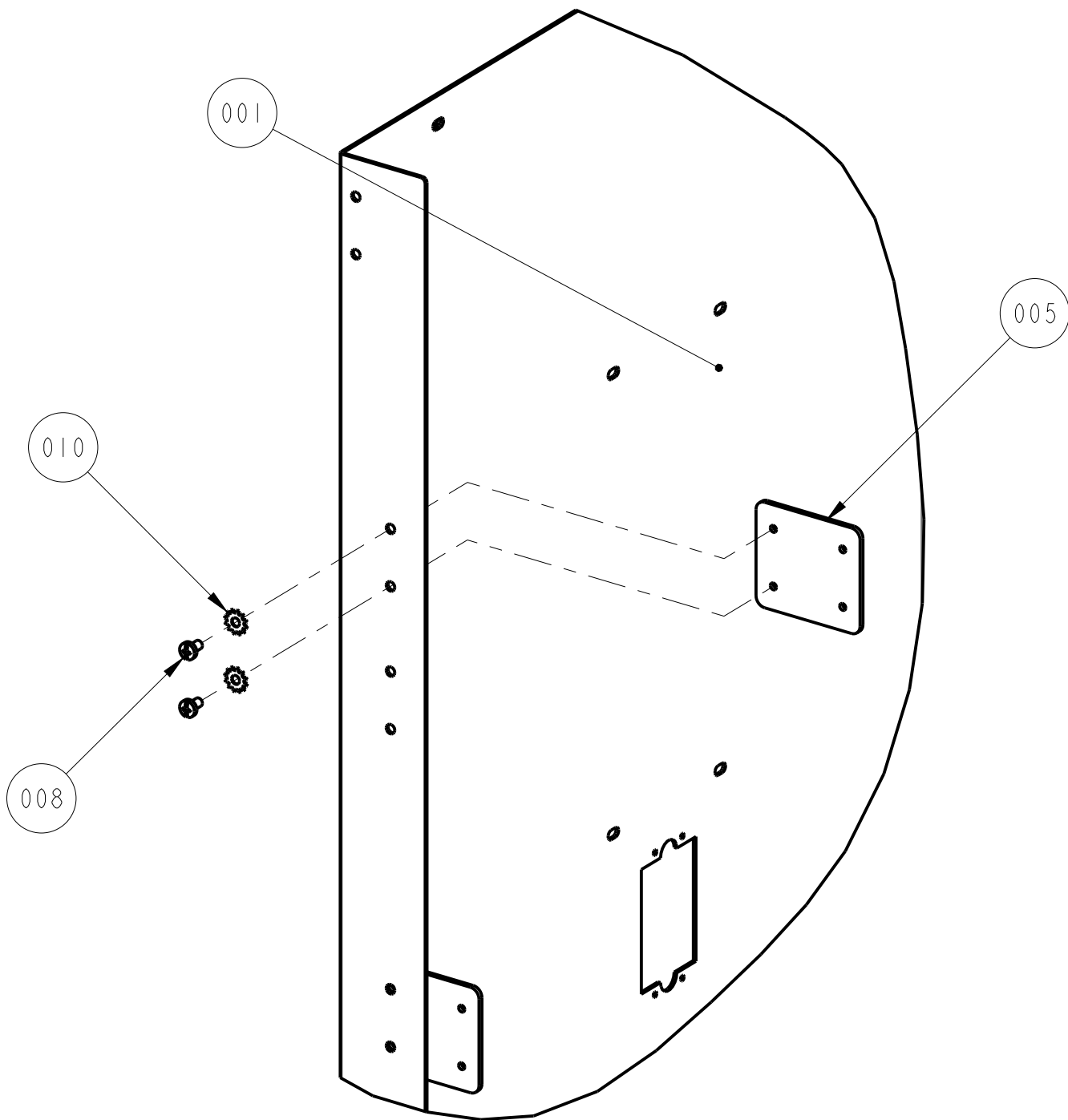
COMMSCOPE, INC.

<small>© 2016 COMMSCOPE, INC. CONFIDENTIAL NOTICE: THESE DRAWINGS AND SPECIFICATIONS ARE THE PROPRIETARY PROPERTY OF COMMSCOPE, INC. AND MAY BE USED ONLY FOR THE SPECIFIC PURPOSE AUTHORIZED IN WRITING BY COMMSCOPE, INC.</small>		TITLE END GUARD NG4 INSTALLATION DRAWING	
<small>ALL DIMS AND TOLERANCES .XX:±xx ARE INCHES UNLESS .XXX:±xxx OTHERWISE SPECIFIED ANGULAR:±N/A</small>	C SIZE	DRAWING NUMBER 300001760249	D REV
DO NOT SCALE DRAWING	ENGR: P. RUDENICK DWN: P. RUDENICK	SHT. 9 OF 12	



DIMENSIONS IN INCHES
THIRD ANGLE PROJECTION

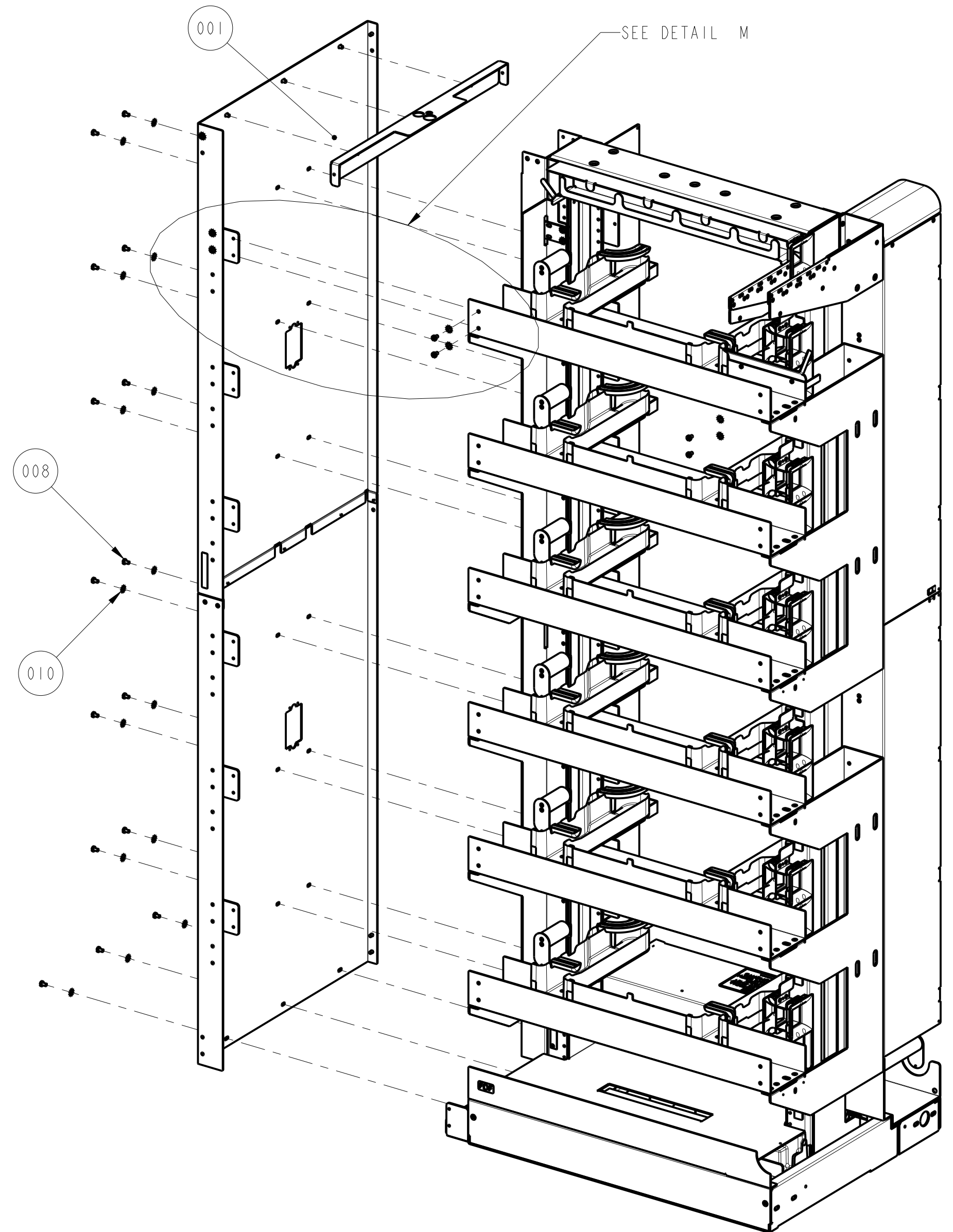
STEP 4 - RIGHT SIDE



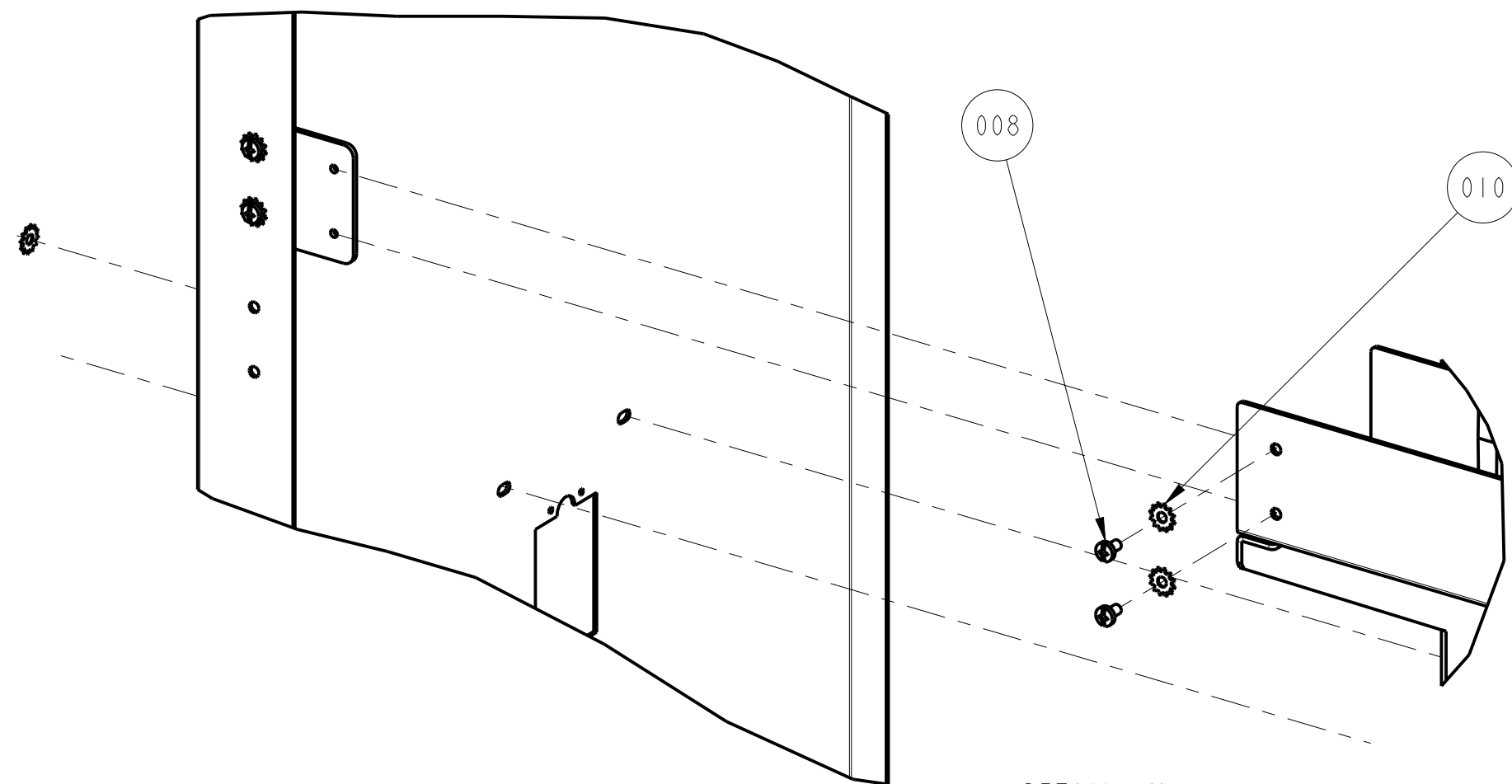
ASSEMBLE ITEM 005 TO ITEM 001 USING ITEM 010 AND 008.
(6 PLACES)

NOTE: ROUTE ELECTRICAL CONDUIT IF REQUIRED BEFORE
MOVING ONTO STEP 5.

STEP 5 - RIGHT SIDE



ASSEMBLE ITEM 001 TO RIGHT SIDE OF FRAME USING ITEM
010 AND 008.



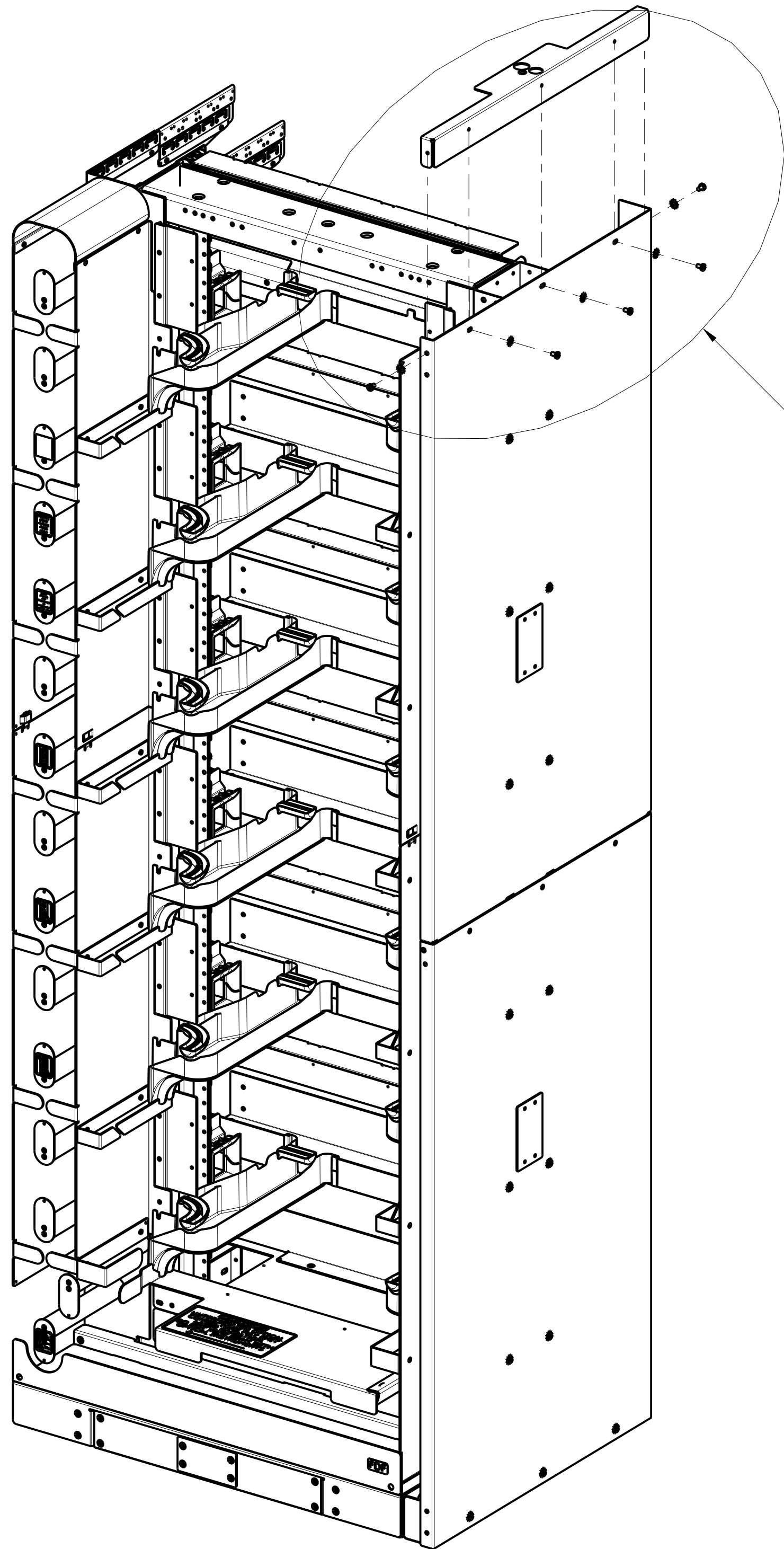
DETAIL M
(6 PLACES)

© 2016 COMMSCOPE, INC. CONFIDENTIAL NOTICE: THESE DRAWINGS AND SPECIFICATIONS ARE THE PROPRIETARY PROPERTY OF COMMSCOPE, INC. AND MAY BE USED ONLY FOR THE SPECIFIC PURPOSE AUTHORIZED IN WRITING BY COMMSCOPE, INC.		TITLE END GUARD NG4 INSTALLATION DRAWING	
ALL DIMS AND TOLERANCES .XX:±xx ARE INCHES UNLESS .XXX:±xxx OTHERWISE SPECIFIED ANGULAR:±N/A		C SIZE	DRAWING NUMBER 300001760249
DO NOT SCALE DRAWING		ENGR: P. RUDENICK DWN: P. RUDENICK	SHT. 10 OF 12

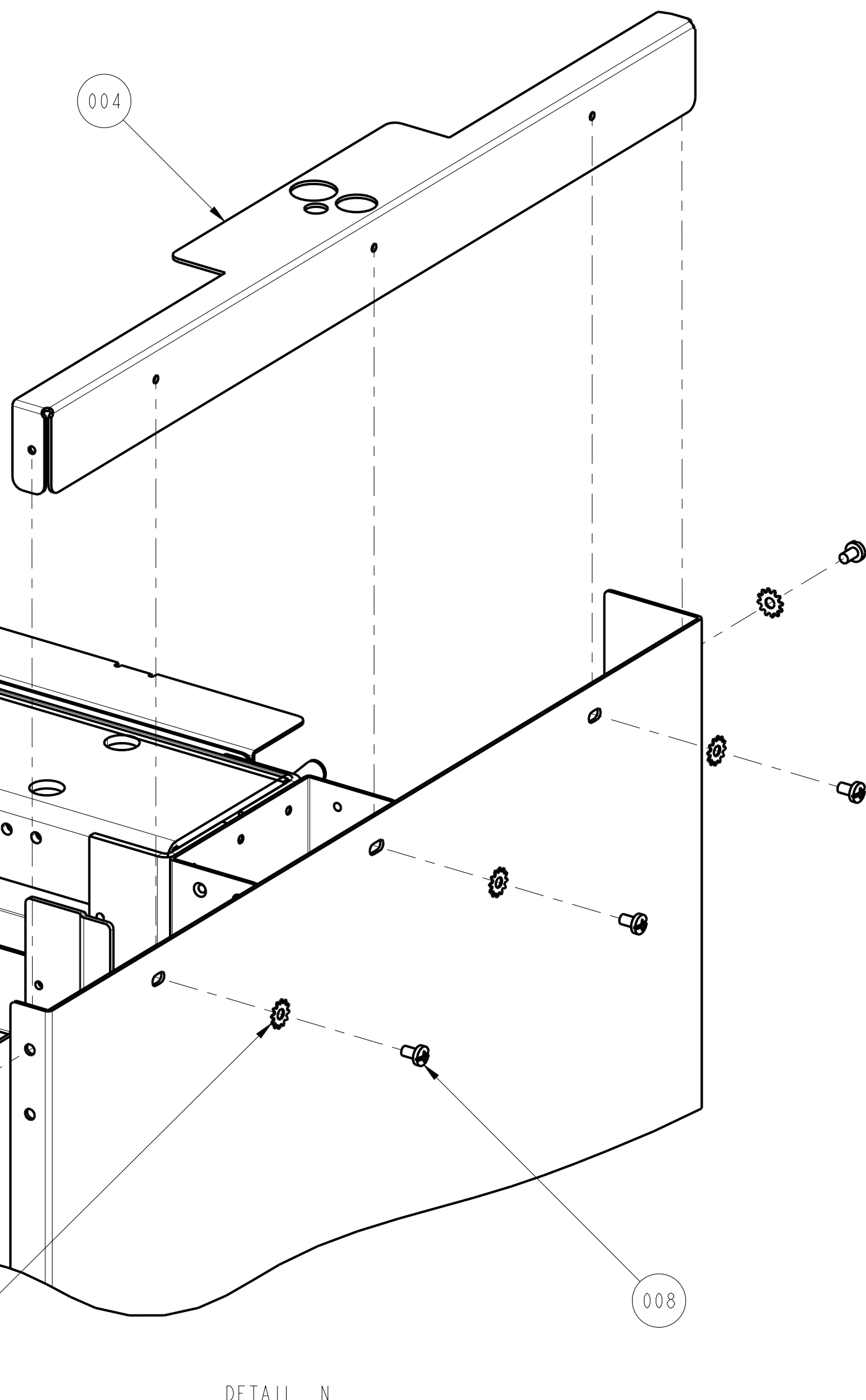
COMMSCOPE, INC.

DIMENSIONS IN INCHES
THIRD ANGLE PROJECTION

STEP 6 - RIGHT SIDE



SEE DETAIL N



DETAIL N

ASSEMBLE ITEM 004 TO ITEM 001 USING ITEM 010 AND 008.
(SEE DETAIL K).

COMMSCOPE, INC.

© 2016 COMMSCOPE, INC. CONFIDENTIAL
NOTICE: THESE DRAWINGS AND SPECIFICATIONS
ARE THE PROPRIETARY PROPERTY OF
COMMSCOPE, INC. AND MAY BE USED ONLY FOR THE
SPECIFIC PURPOSE AUTHORIZED IN WRITING BY
COMMSCOPE, INC.

ALL DIMS AND TOLERANCES .XX:±.XX
ARE INCHES UNLESS .XXX:±.XXX
OTHERWISE SPECIFIED ANGULAR:±N/A

DO NOT SCALE DRAWING

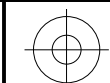
ENGR: P. RUDENICK
DWN: P. RUDENICK

TITLE
END GUARD NG4
INSTALLATION DRAWING

DRAWING NUMBER
300001760249

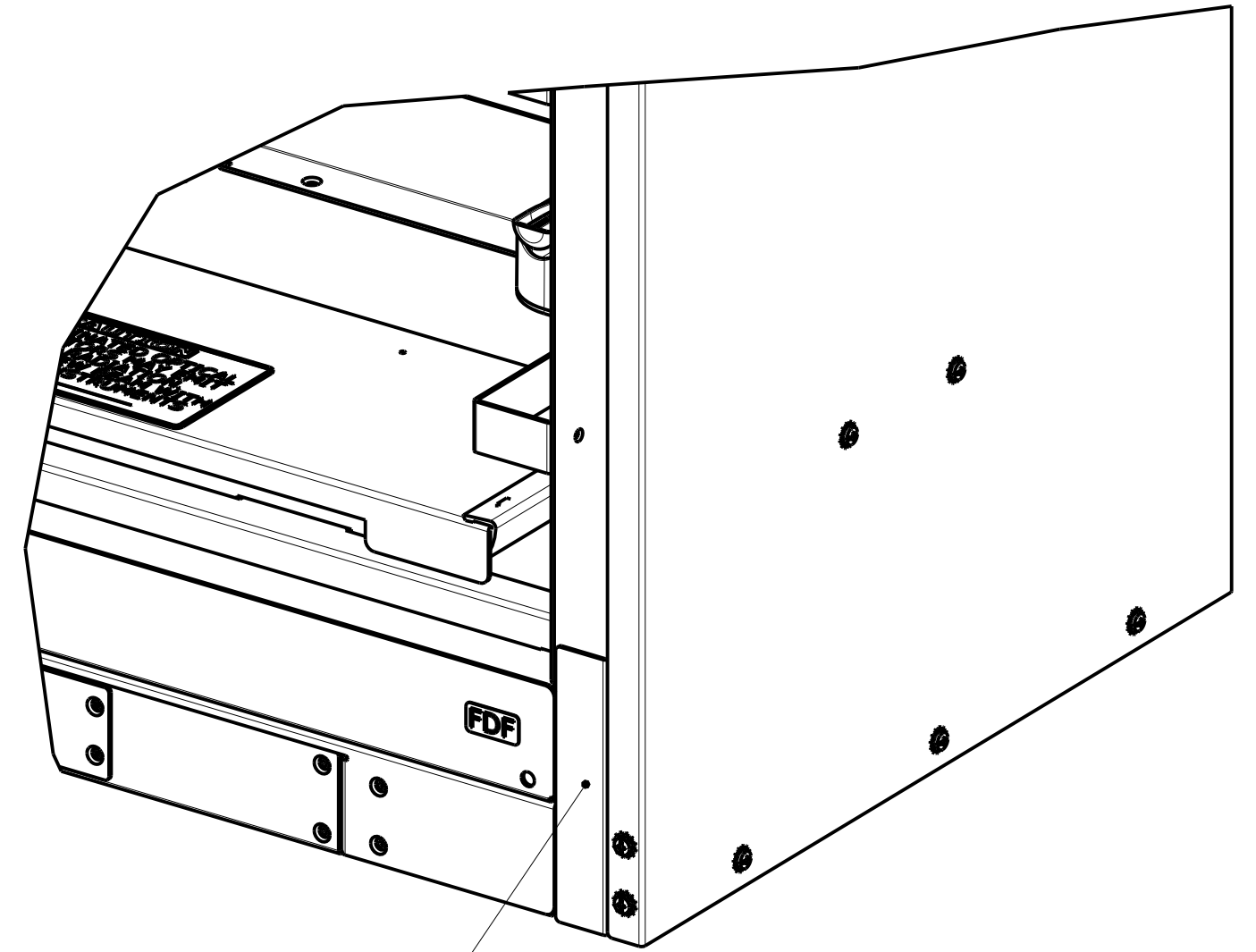
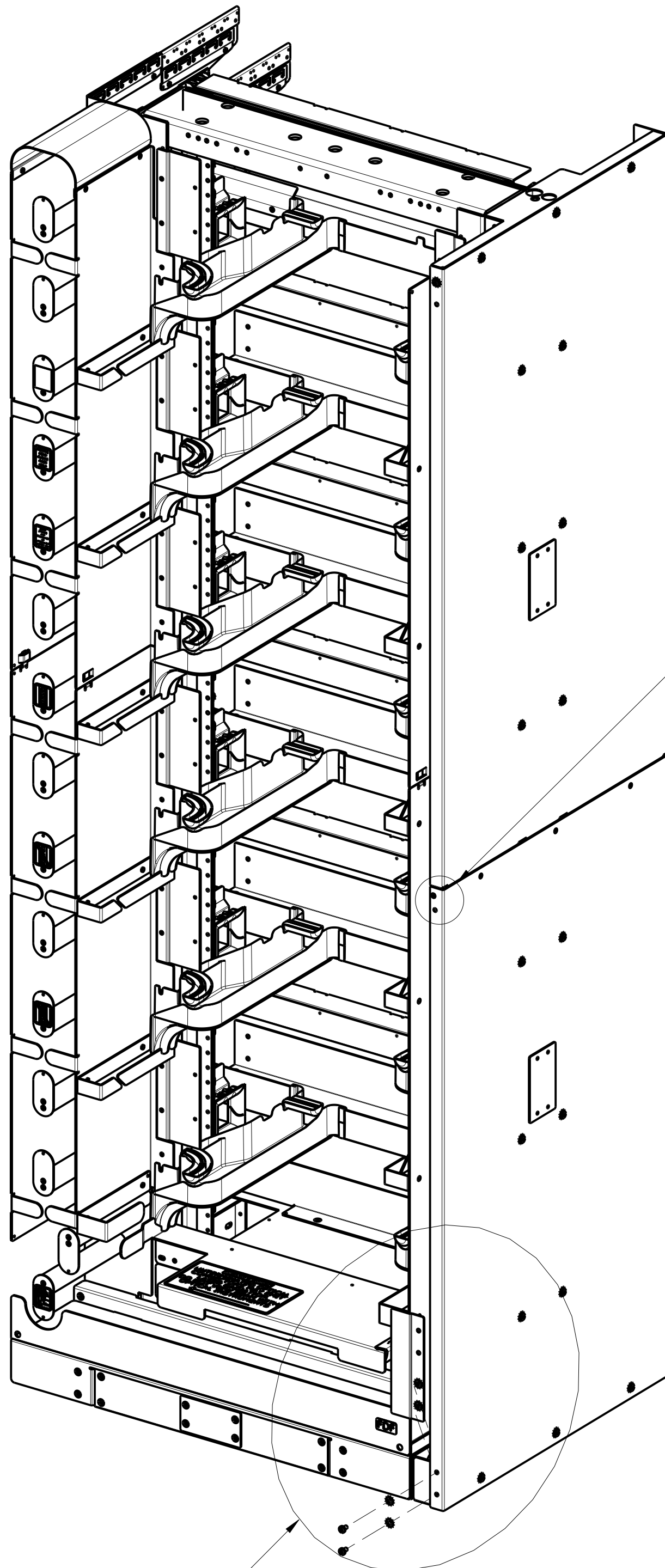
D
REV

SHT. 11 OF 12



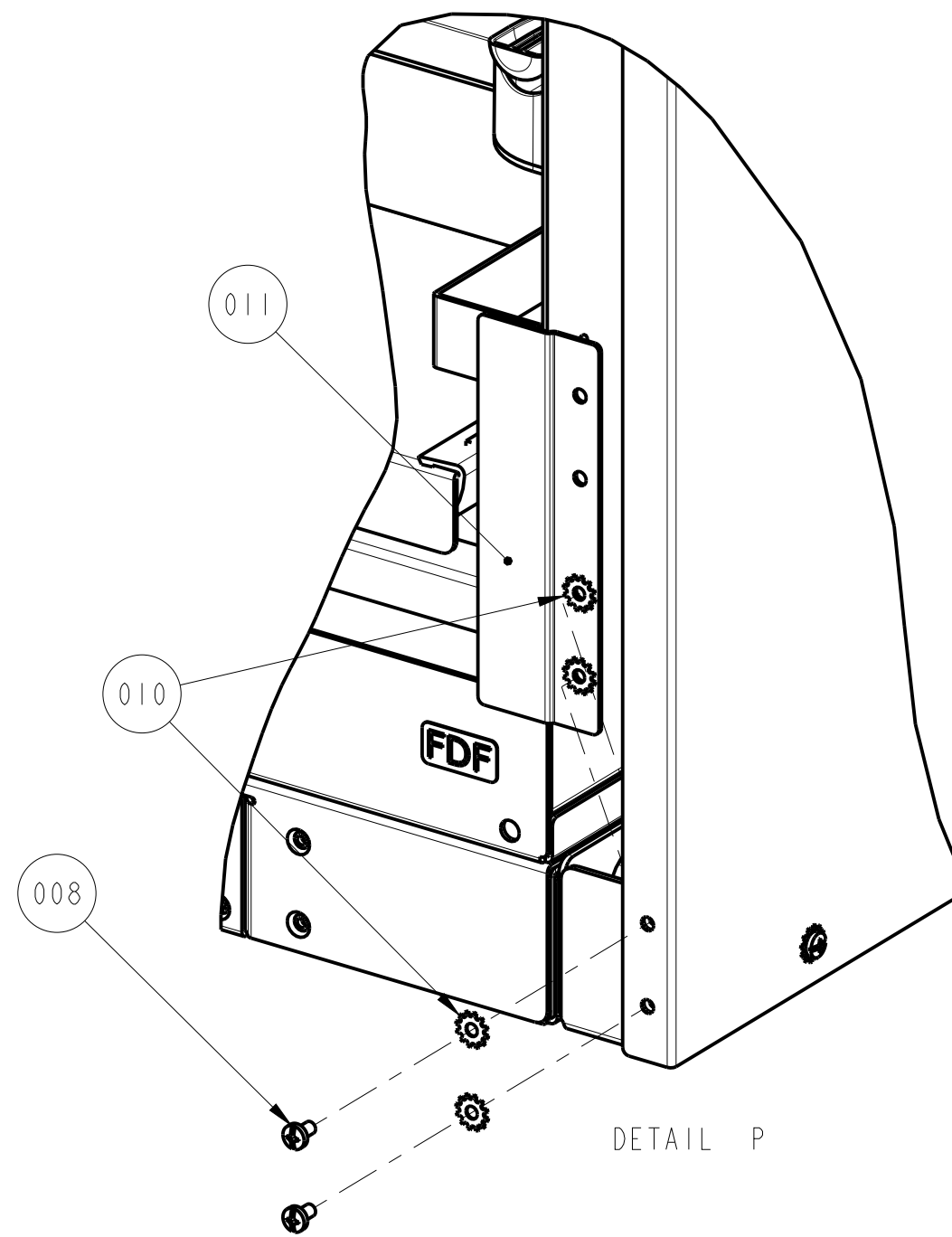
DIMENSIONS IN INCHES
THIRD ANGLE PROJECTION

STEP 7 - RIGHT SIDE

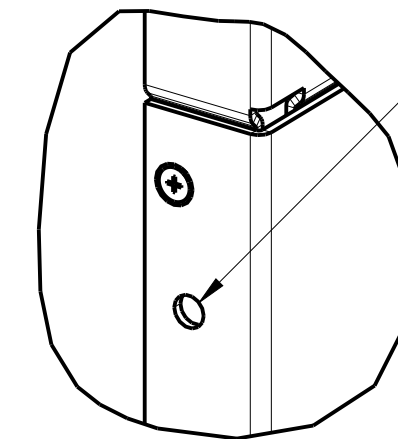


SEE DETAIL Q

NOTE THAT ITEM 010 AND 011 INSERTS BETWEEN OUTER PANEL AND BASE OF END GUARD.



DETAIL P



ATTACH ITEM 013 TO THE HOLE SHOWN IN DETAIL Q.

ASSEMBLE ITEM 011 TO END GUARD USING ITEM 010 AND 008

SEE DETAIL P

COMMSCOPE, INC.

<small>© 2016 COMMSCOPE, INC. CONFIDENTIAL NOTICE: THESE DRAWINGS AND SPECIFICATIONS ARE THE PROPRIETARY PROPERTY OF COMMSCOPE, INC. AND MAY BE USED ONLY FOR THE SPECIFIC PURPOSE AUTHORIZED IN WRITING BY COMMSCOPE, INC.</small>		TITLE END GUARD NG4 INSTALLATION DRAWING	
<small>ALL DIMS AND TOLERANCES .XX:±xx ARE INCHES UNLESS .XXX:±xxx OTHERWISE SPECIFIED ANGULAR:±N/A</small>	C SIZE	DRAWING NUMBER 300001760249	D REV
DO NOT SCALE DRAWING	ENGR: P. RUDENICK DWN: P. RUDENICK	SHT. 12 OF 12	

DIMENSIONS IN INCHES
 THIRD ANGLE PROJECTION