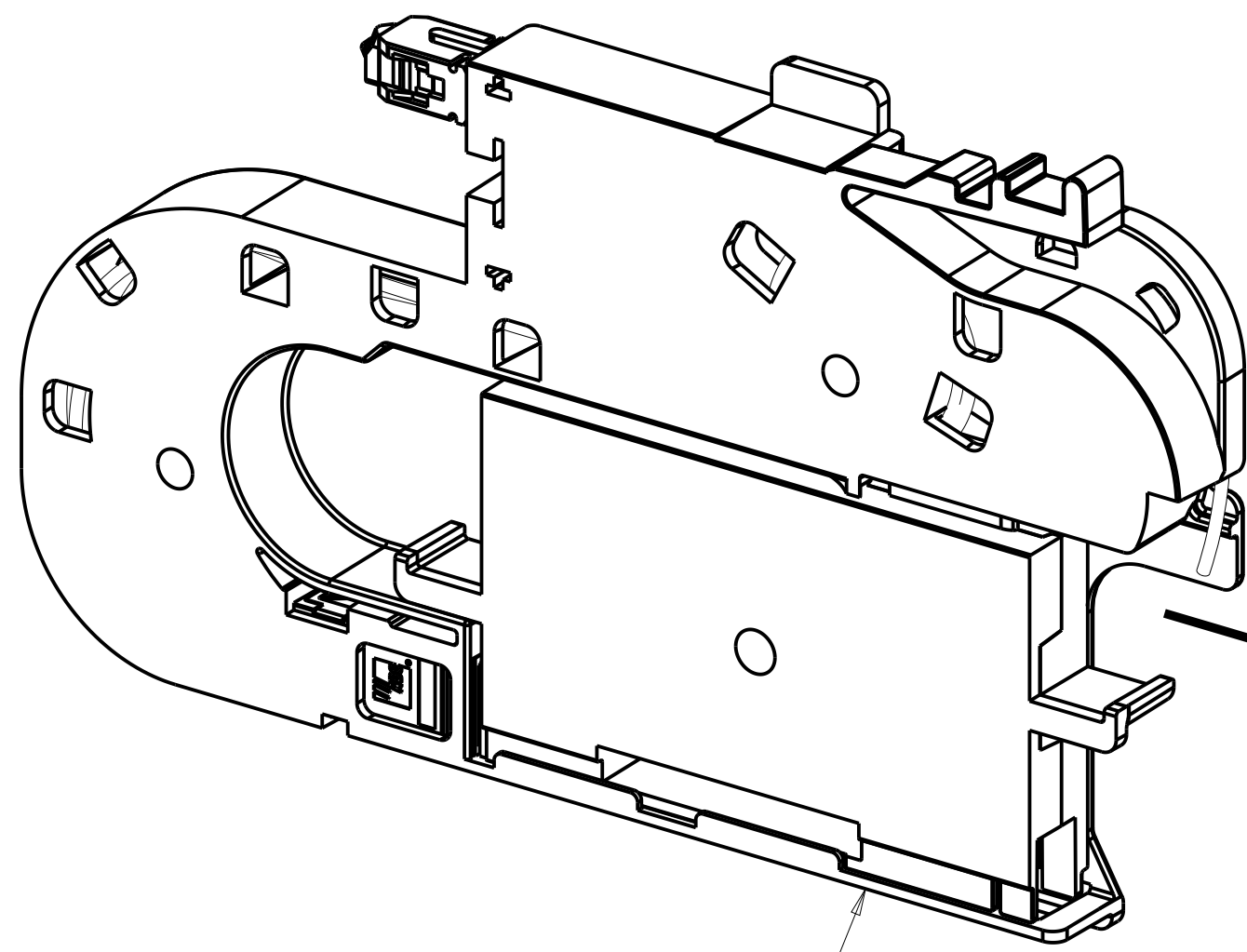


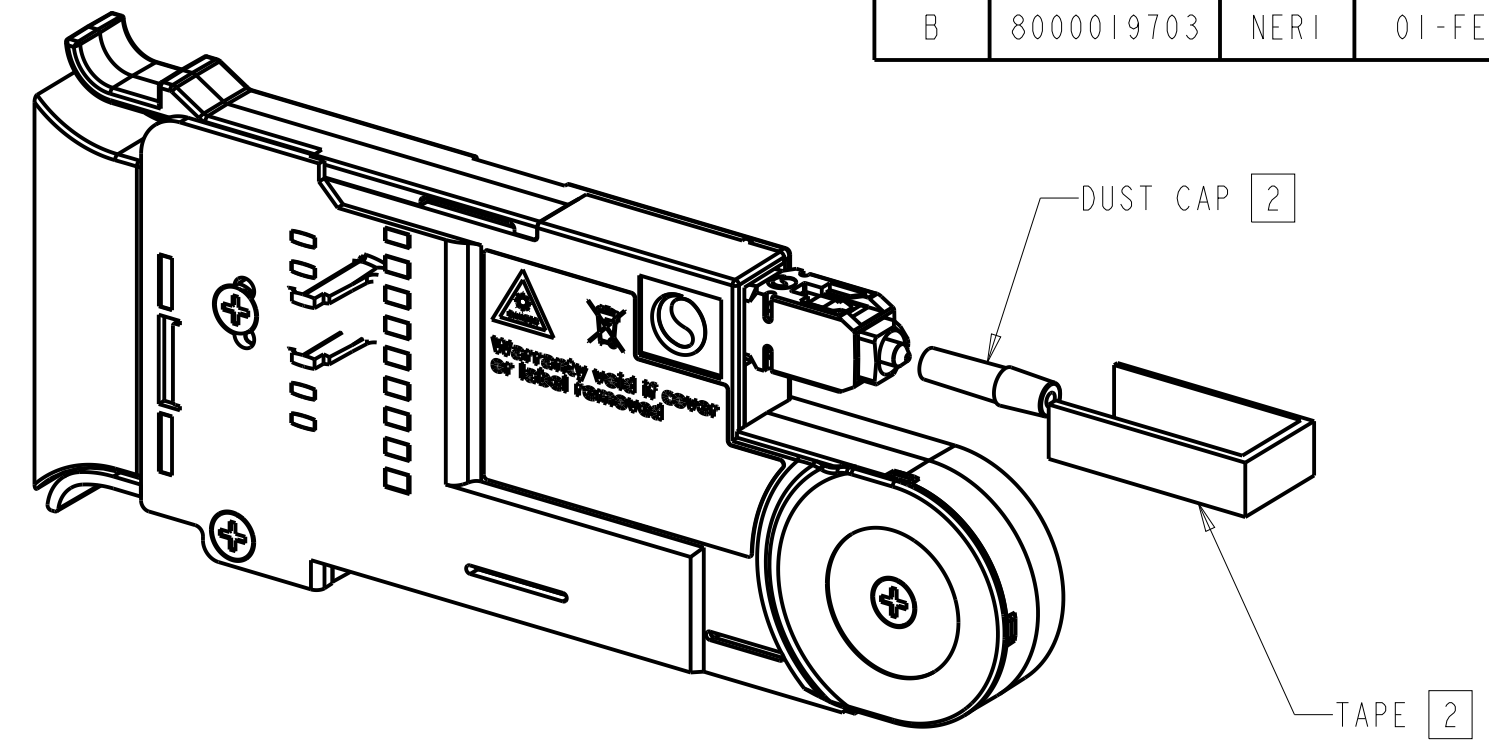
REV	MCO	DWN	DATE
A	20324600	GGL	01-MAY-12
B	8000019703	NERI	01-FEB-17



DIRECTION TO REMOVE DUST INSERT

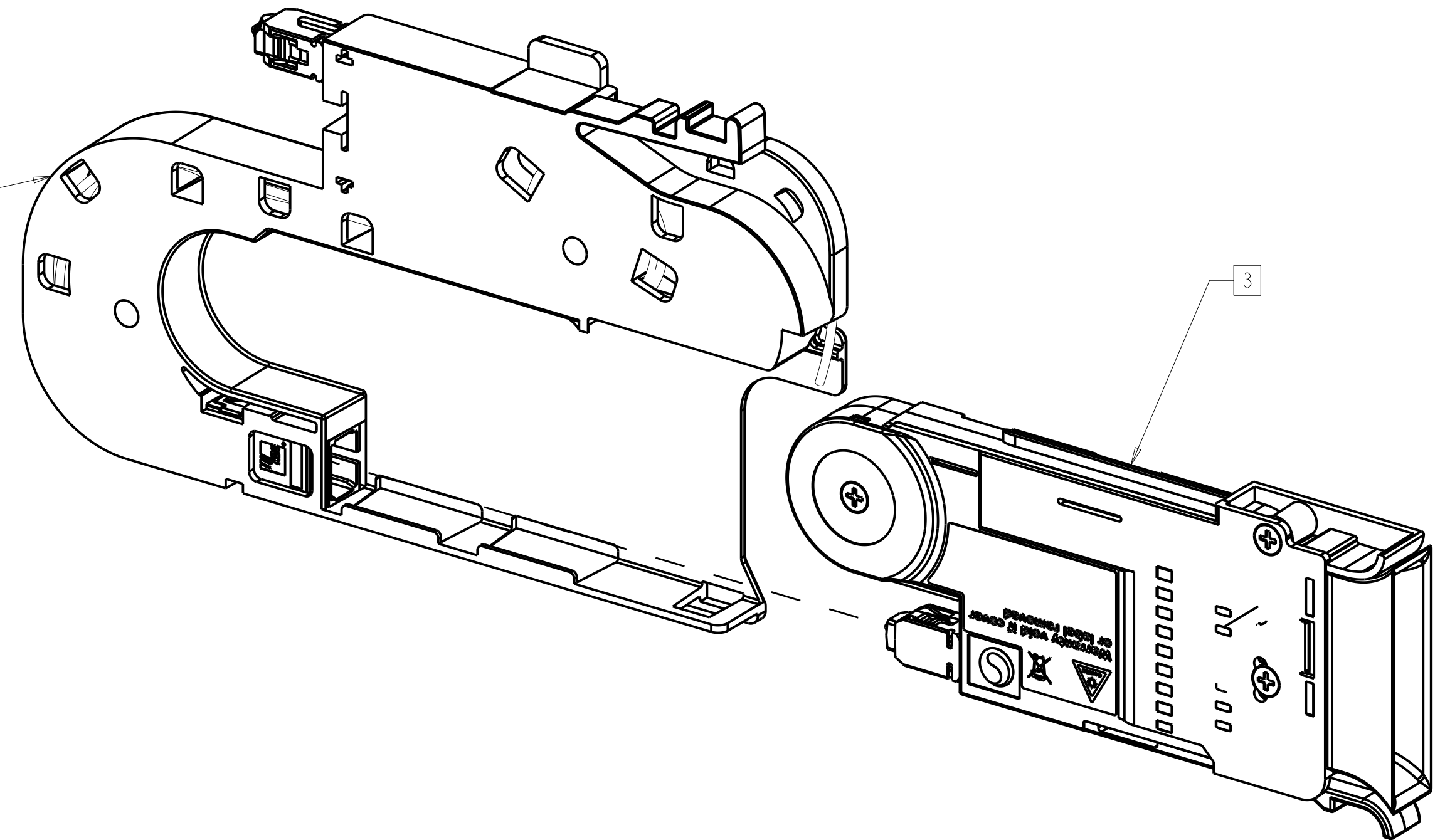
1

PNP GEN3E BRKT



DUST CAP 2

TAPE 2



3

NOTES:

- 1 PULL IN DIRECTION SHOWN TO REMOVE DUST INSERT FROM THE BRACKET.
- 2 REMOVE PROTECTIVE TAPE AND DUST CAP FROM SPLITTER INPUT CONNECTOR AND CLEAN CONNECTOR BEFORE INSTALLATION INTO BRACKET.
- 3 SLIDE SPLITTER MODULE INTO BRACKET AND LISTEN FOR THE CLICK TO ENSURE FULL ENGAGEMENT.
4. TEST RESULTS FOR BRACKET SHIPPED ALONG WITH UNIT.

CATALOG #: FPS-ACCG2MPP3E

COMMSCOPE, INC.

© 2016 COMMSCOPE, INC. CONFIDENTIAL NOTICE: THESE DRAWINGS AND SPECIFICATIONS ARE THE PROPRIETARY PROPERTY OF COMMSCOPE, INC. AND MAY BE USED ONLY FOR THE SPECIFIC PURPOSE AUTHORIZED IN WRITING BY COMMSCOPE, INC.		TITLE GEN3E BRKT KIT INSTALL DRAWING	
ALL DIMS AND TOLERANCES ARE INCHES UNLESS OTHERWISE SPECIFIED	.XX:±N/A .XXX:±N/A ANGULAR:±N/A	C SIZE	DRAWING NUMBER 300001753210
DO NOT SCALE DRAWING	ENGR: G. GARCIA DWN: G. GARCIA	B REV	
		SHT. 1 OF 1	

DIMENSIONS IN INCHES
THIRD ANGLE PROJECTION