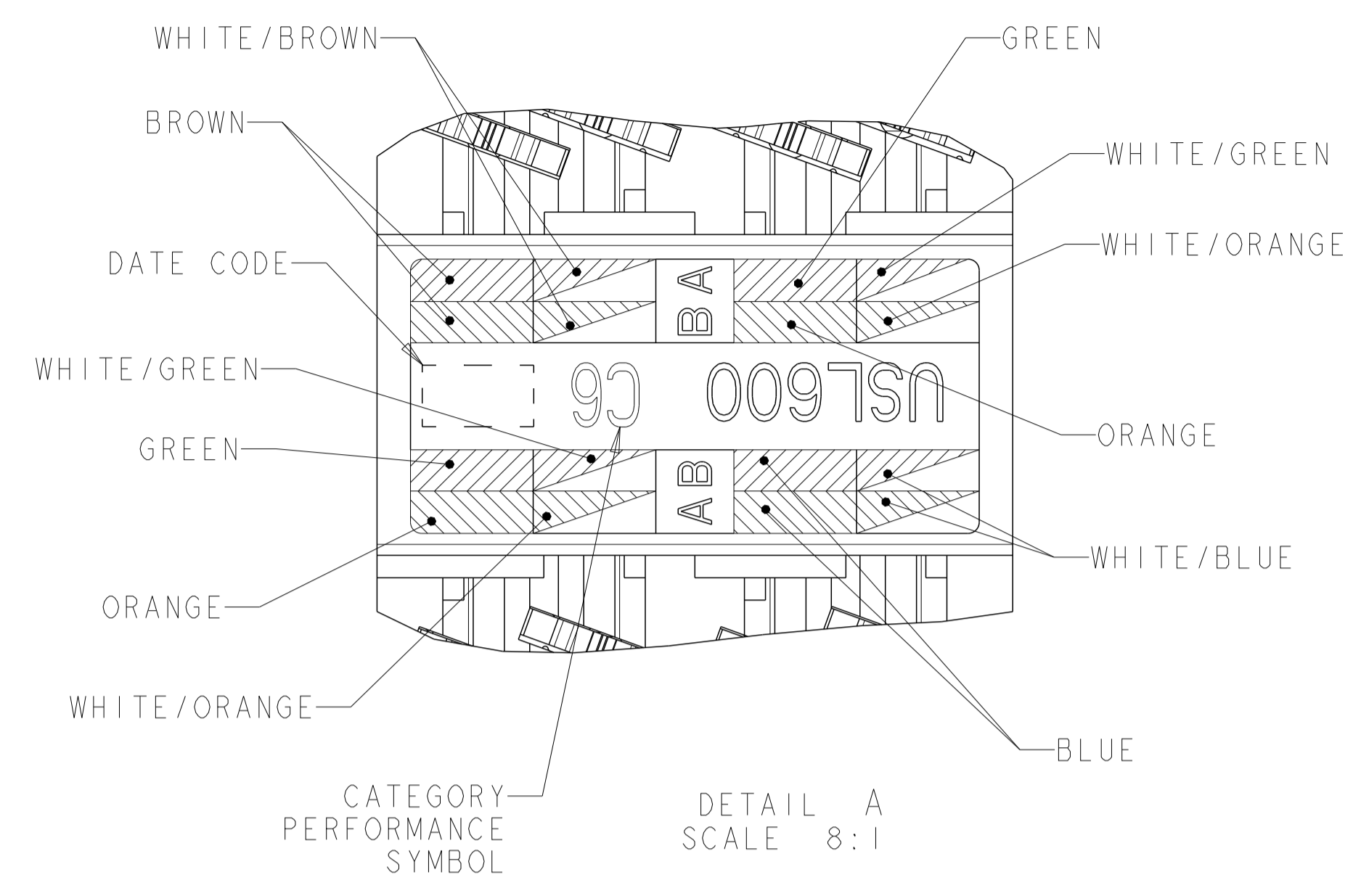
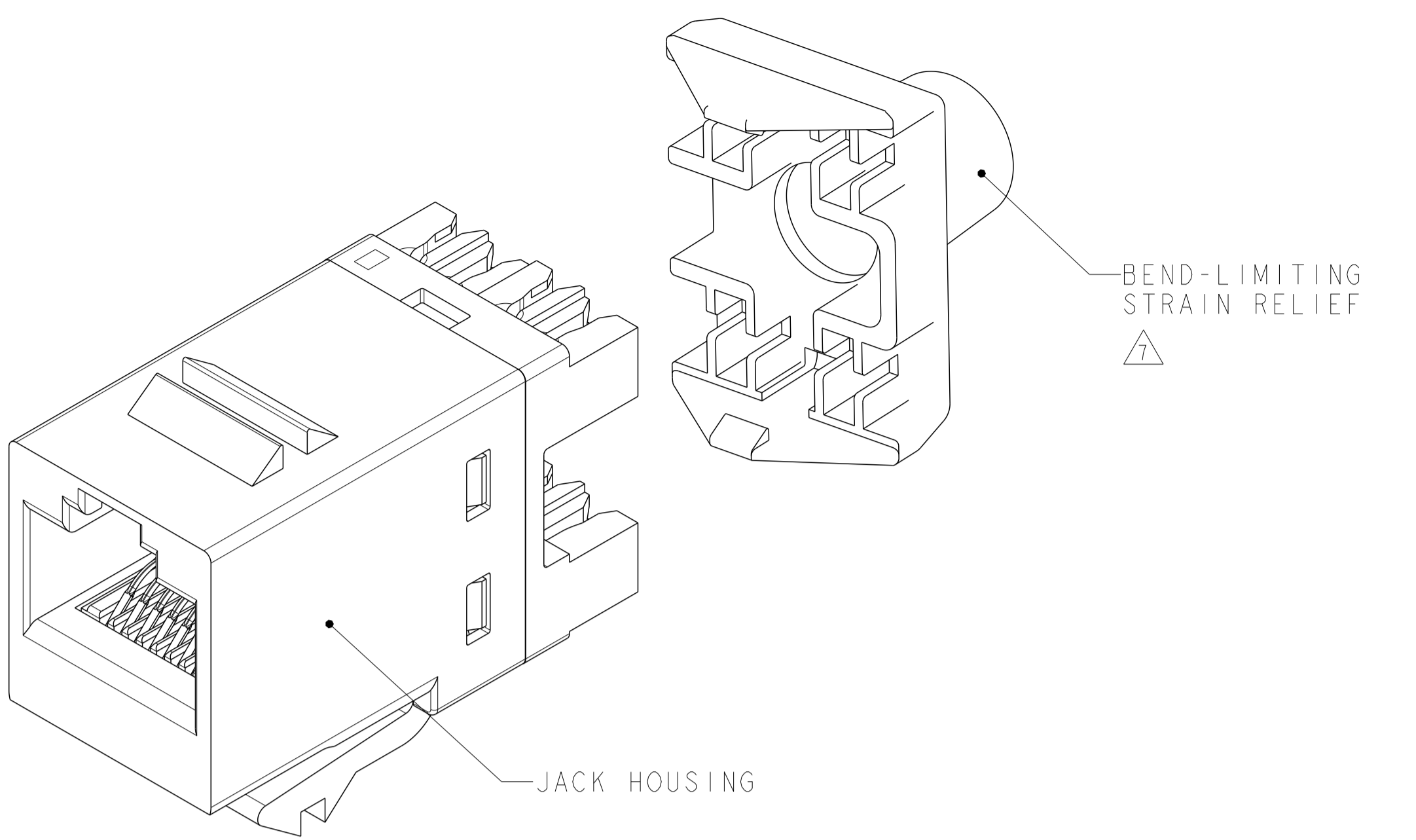
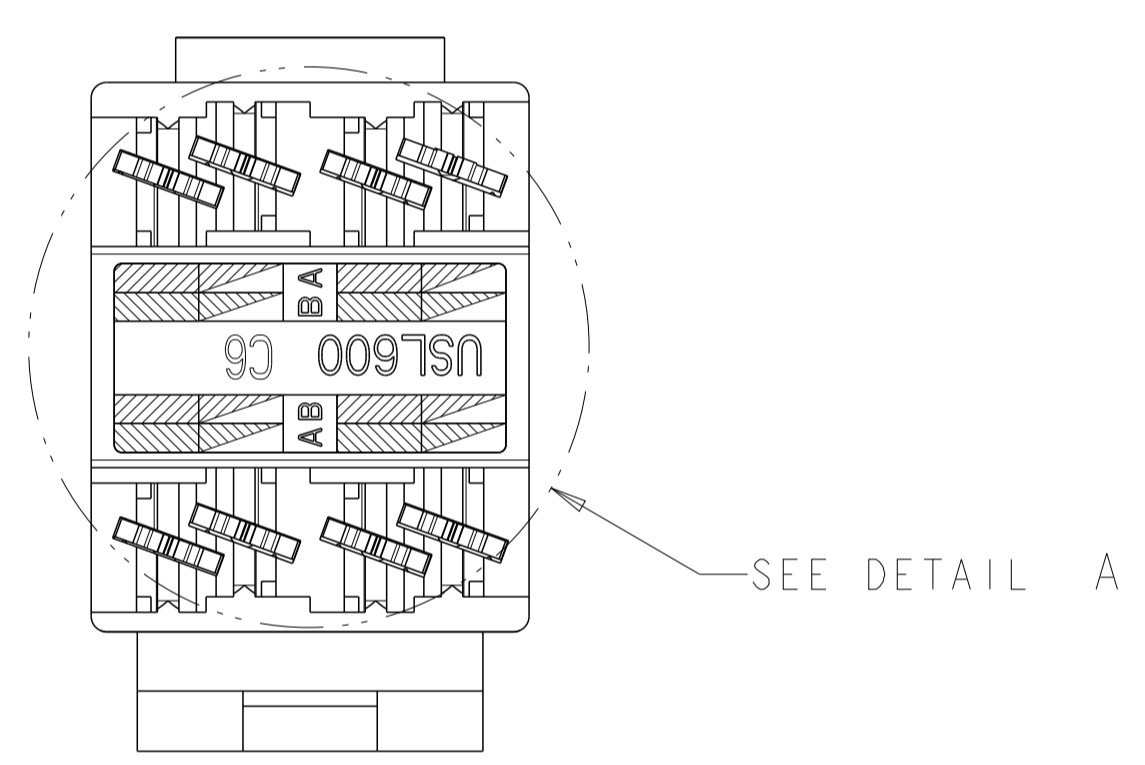
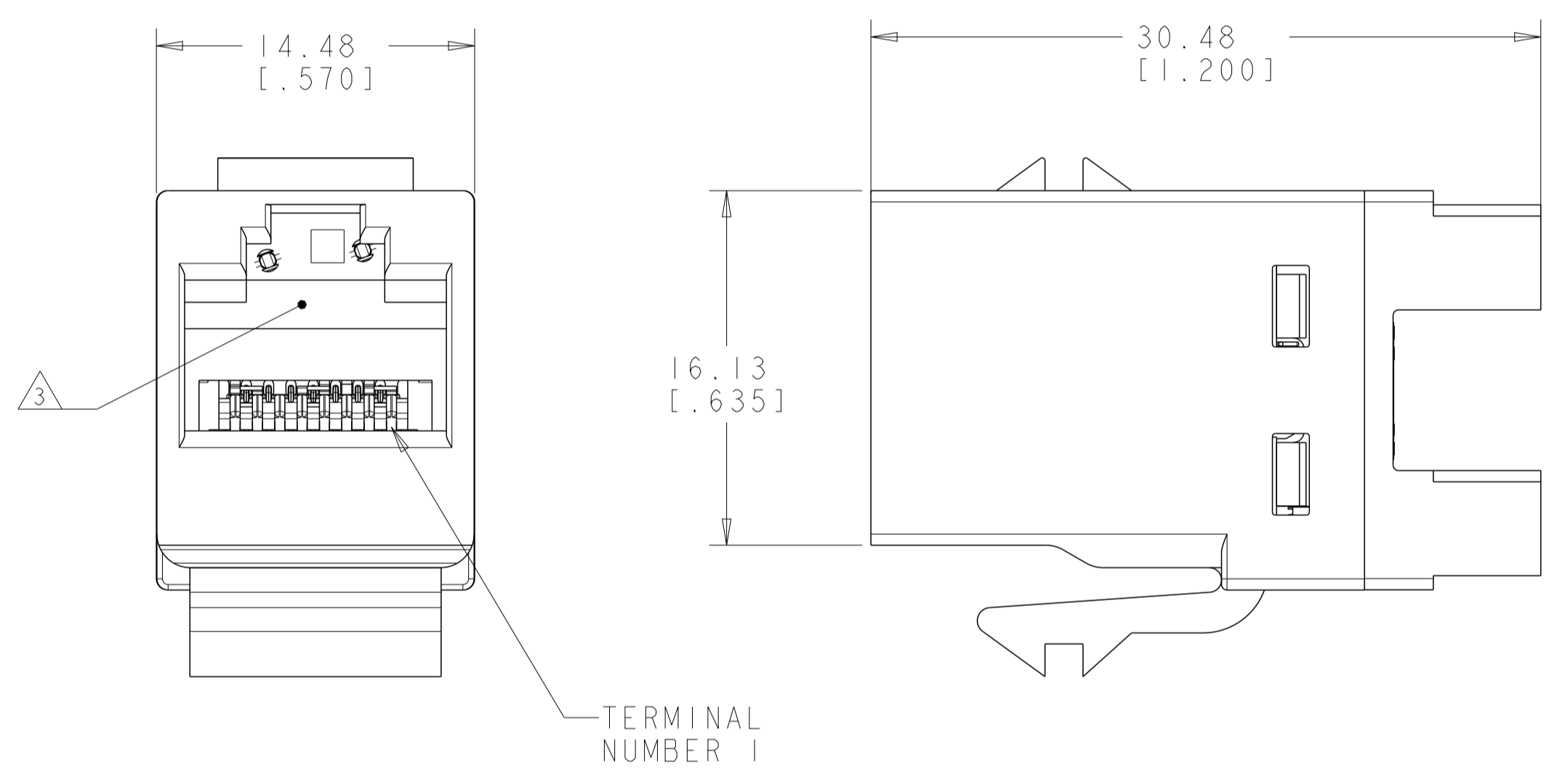


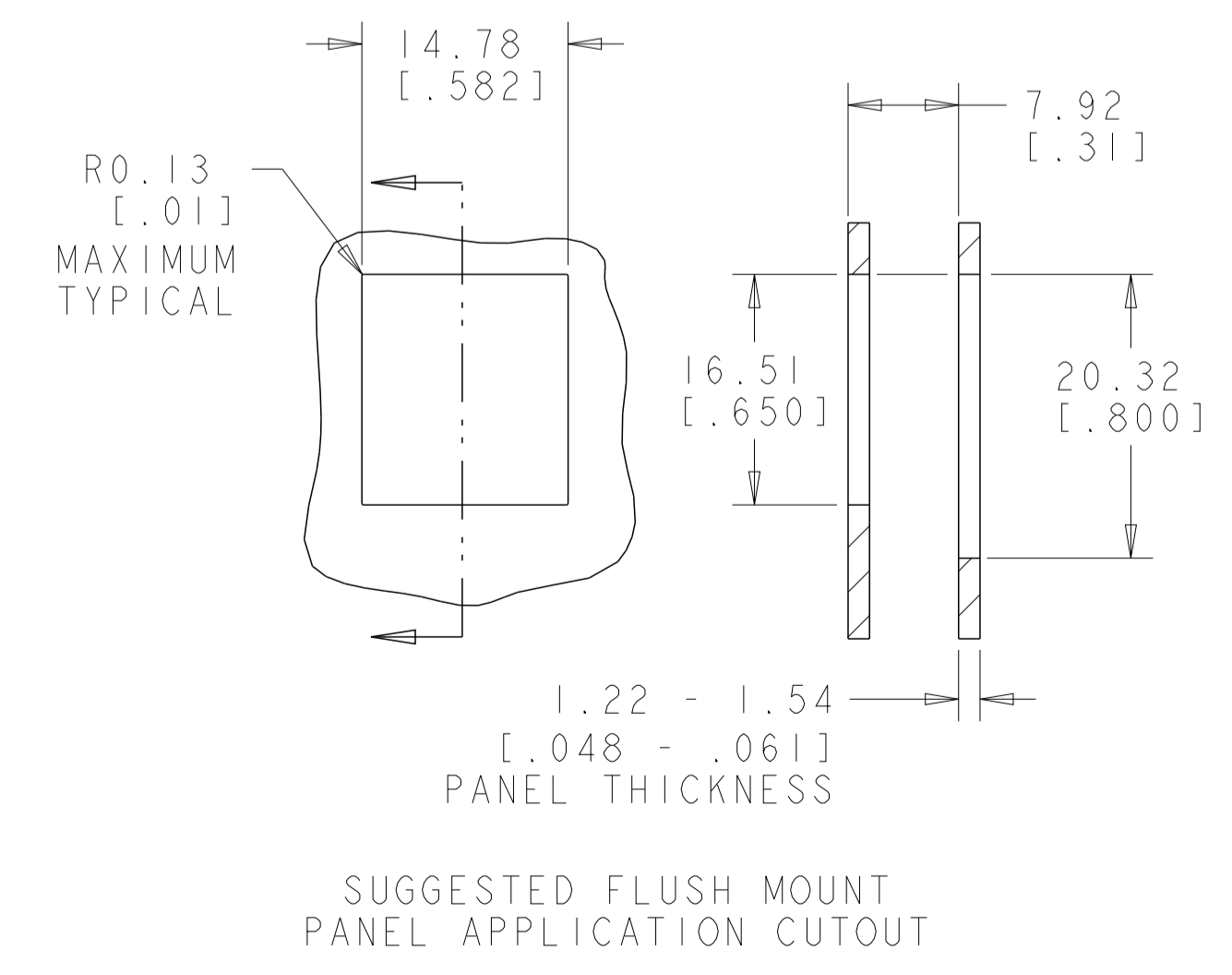
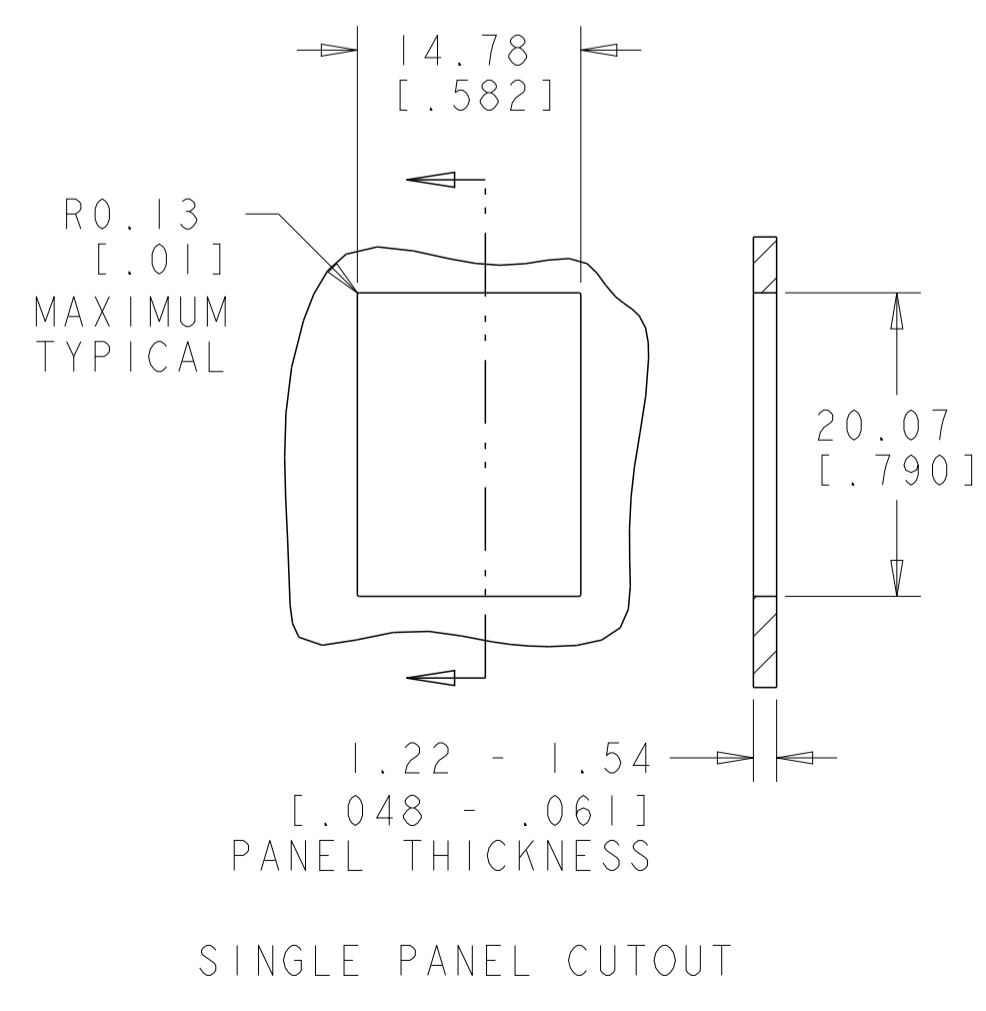
REVISIONS			
REV	CMO	DATE	APPROVED
A	40089638CMO	02MAY2019	JH
B	40098222CMO	23SEP2019	JH



- △ MATERIAL: JACK HOUSING - POLYCARBONATE, 94V-0 RATED. 110 BLOCK AND BEND LIMITING STRAIN RELIEF - POLYCARBONATE. ARRAY TRAY - PBT POLYESTER. JACK CONTACTS ARRAY - BERYLLIUM COPPER, PLATED WITH 1.27µm [.000050] MINIMUM THICK GOLD IN LOCALIZED AREA AND 3.81µm [.000150] MINIMUM THICK MATTE TIN IN BOARD INTERFACE AREA OVER 1.27µm [.000050] MINIMUM THICK NICKEL UNDERPLATE. IDC TERMINALS - PHOSPHOROUS BRONZE, PLATED WITH 3.81µm [.00015] MINIMUM THICK MATTE TIN OVER 1.27µm [.00005] MINIMUM THICK NICKEL UNDERPLATE.
- 2. SL 110 JACK WILL TERMINATE 22-24 AWG SOLID AND 24-26 AWG STRANDED CONDUCTORS, 1.27[.050] MAXIMUM INSULATION DIAMETER. JACK WILL ACCEPT CONDUCTORS UP TO 1.45 [.057] BUT REQUIRE THE USE OF A STRAIN RELIEF.
- △ 3. CAVITY CONFORMS TO FCC RULES AND REGULATIONS PART 68 SUBPART F REQUIREMENTS.
- 4. MOUNTING PANEL THICKNESS 1.47 - 1.60 [.058 - .063].
- △ 5. THESE TWO SUGGESTED CUTOUT OPENINGS ARE USED IN TANDEM WITH DUAL FRONT AND BACK CUTOUTS.
- △ 6. ONE MODULAR JACK ASSEMBLY PER POLYBAG.
- △ 7. USE IS OPTIONAL.
- 8. REFER TO 408-8858 FOR TERMINATION INSTRUCTIONS USING SL SERIES TOOL TERMINATION. REFER TO 408-8417 FOR TERMINATION INSTRUCTIONS USING 110 PUNCH DOWN TOOL.
- 9. PRODUCT SPECIFICATIONS: 108-1990 AND 108-1990-3



COLOR CODE	IDC TERMINAL	MODULAR JACK	
WHITE/BLUE	5	5	ELECTRICAL SCHEMATIC T568A
BLUE	4	4	
WHITE/ORANGE	3	3	ELECTRICAL SCHEMATIC T568B
ORANGE	6	2	
WHITE/GREEN	1	3	
GREEN	2	6	
WHITE/BROWN	7	7	
BROWN	8	8	



PACKAGE	HOUSING COLOR	MID
ALPINE WHITE	760237629	
ELECTRIC IVORY	760237636	
VIOLET	760237637	
GREEN	760237630	
YELLOW	760237633	
RED	760237634	
BLUE	760237628	
ORANGE	760237632	
NEMA GRAY	760237635	
BLACK	760237627	
LIGHT ALMOND	760237631	

COMMSCOPE, INC.

SURPRISE CATEGORY 6 UTP JACK, SL, W/O DUST COVER

DRAFTER L SMITH	SIZE A1	SCALE 6:1	DOCUMENT NO. A17005960
ENGINEER J HIGGINS	REVISION B		SHEET 1 OF 1

CUSTOMER DRAWING