

BGND-12 Cable Bracket Grounding Kit

General

The **CommScope®** BGND-12 cable bracket grounding kit (**SYSTIMAX®** Material ID 760058693/**Uniprise®** Part No. 9703931/00) includes a 12 inch (305 mm) long ground cable and hardware that provides positive grounding of armored cables when used with one of the **CommScope** cable gland bracket kits listed below. In addition, this kit is universal and can be used in many different applications where grounding is required.

SYSTIMAX® Material ID	Uniprise® Part No.	Description
760058685	9703900/00	RMB-6-3/8 cable gland bracket kit
760058677	9703901/00	RMB-6-1/2 cable gland bracket kit
760058701	9703902/00	RMB-5-3/4 cable gland bracket kit

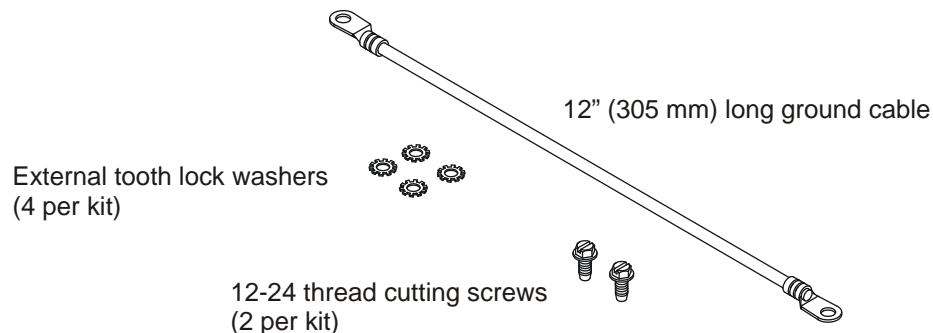
How to Contact Us

- To find out more about **CommScope®** solutions, visit us on the web at <http://www.commscope.com/>
- For customer support regarding **CommScope** products, contact your local account representative or call 1-800-544-1948 or (828) 459-5000.

Tools Required

- Flat head screwdriver or 5/16" nut driver or 5/16" hex socket and ratchet

Verify Parts



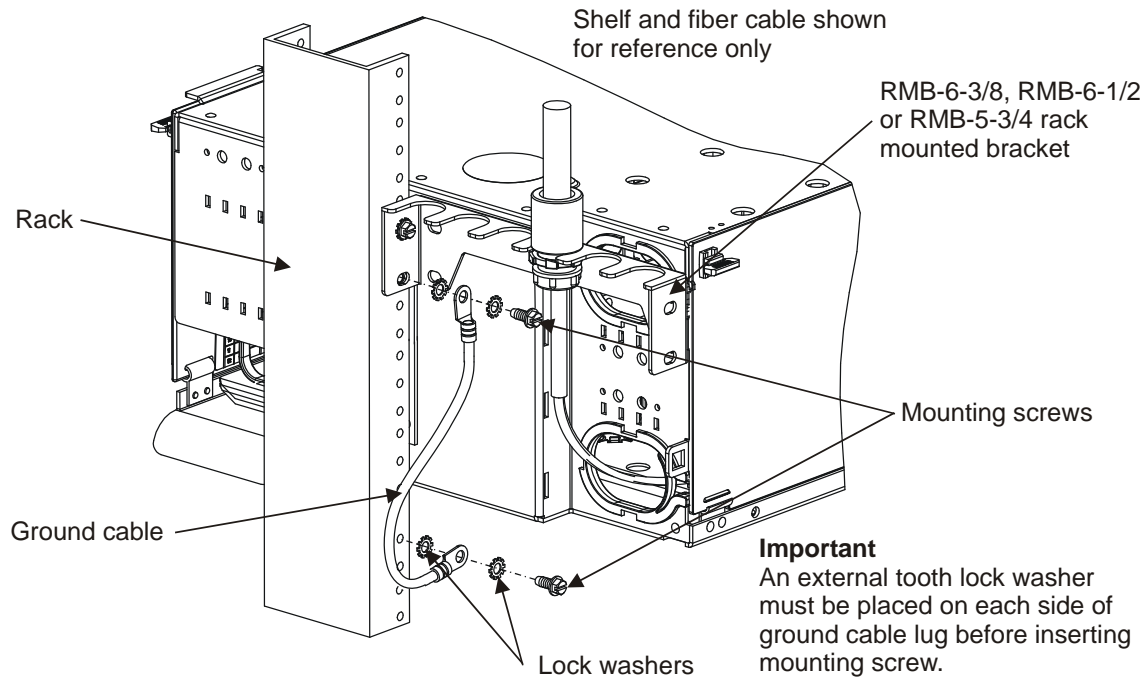
Cautions

When installing and using this product, basic safety precautions should always be followed to reduce the risk of fire, electric shock, and injury to persons, including the following:

- Wearing safety glasses during installation of this product is recommended. Although standard safety glasses provide no protection from potential optical radiation, they offer protection from accidental airborne hardware and cleaning solvents.

Installation

On CommScope Brackets



1. Remove one mounting screw from rack mounted bracket and install the ground cable using the hardware (screw and external lock washers) supplied with this kit as shown in above figure.
2. Attach opposite end of cable to a convenient tapped hole on the equipment rack.

Important: One external tooth lock washer must be placed on each side of ground cable lug before installing screws.

Use a multi-meter or other suitable device to verify proper grounding of bracket to equipment rack. **Equipment rack must be grounded.** If bracket is not sufficiently grounded, it may be necessary to remove paint from the rack in the areas where the ground wire and bracket makes contact.

On Non-CommScope Brackets

A typical installation of the ground cable on a non **CommScope** bracket is illustrated here.

