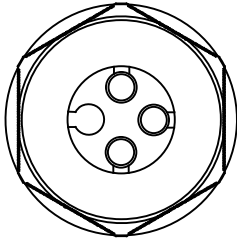
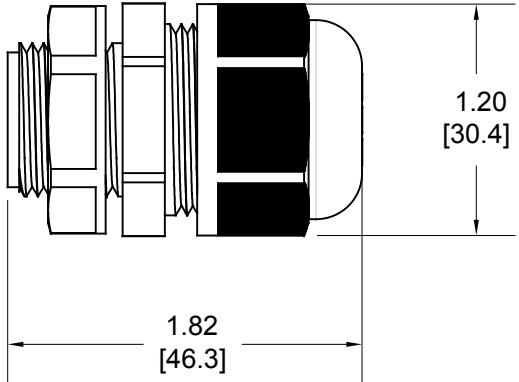


MATERIAL ID	DESCRIPTION
760242678	PACTHCORD FITTING KIT(12 GLANDS)

NOTES:

1. SEE COMMSCOPE CATALOG FOR PART NUMBER SUFFIXES TO INDICATE COLOR/PKG.
2. SEE COMMSCOPE CATALOG FOR COMPLETE LIST OF PARTS RELATED TO THE USE OF THIS PRODUCT.
3. DIMENSIONS IN PARENTHESES ARE IN METRIC[MM].
4. PART INCLUDES:
(12) GLAND, MG20A-H4-04B-WX2 (R02)



CABLE GLAND	
COMMSCOPE, INC OF NORTH CAROLINA	
DRAWN BY DJ	DWG NO 760242678
DATE 12/06/2018	

REV	DATE	ECR	DESCRIPTION	APPROVED BY
1	12/06/18		INITIAL ISSUE	AW