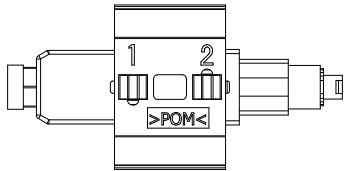
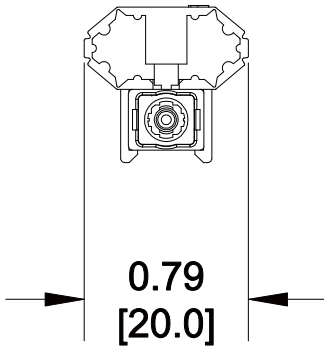
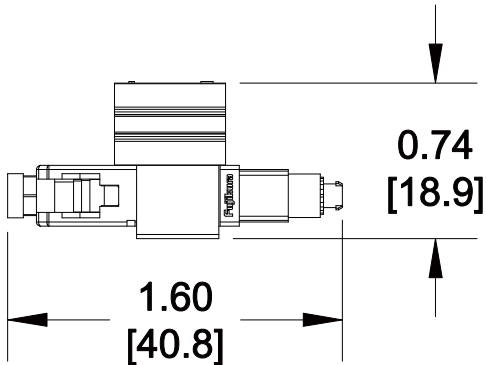


MATERIAL ID	DESCRIPTION
760184689	BTW(QWIK II-SC APC),SM,TS



NOTES:

- SEE COMMSCOPE CATALOG FOR PART NUMBER SUFFIXES TO INDICATE COLOR/PKG.
- SEE COMMSCOPE CATALOG FOR COMPLETE LIST OF PARTS RELATED TO THE USE OF THIS PRODUCT.
- DIMENSIONS IN PARENTHESES ARE IN METRIC[MM].
- PART INCLUDES:
 (25) COVER, PROTECTIVE, FERRULE, BLACK
 (25) TUBING, HYTREL, 250um BUILD UP
 (25) BOOT, STRAIN RELIEF, BLANK,900um
 (25) CONNECTOR ASSEMBLY, SM, APC, GREEN
 (1) INSTRUCTION SHEET



SFC-SCF-09-8A-25-PACK

COMMSCOPE, INC OF NORTH CAROLINA

REV	DATE	ECR	DESCRIPTION	APPROVED BY	DATE	DWG NO
1	6/19/13		INITIAL ISSUE		6/19/2013	760184689