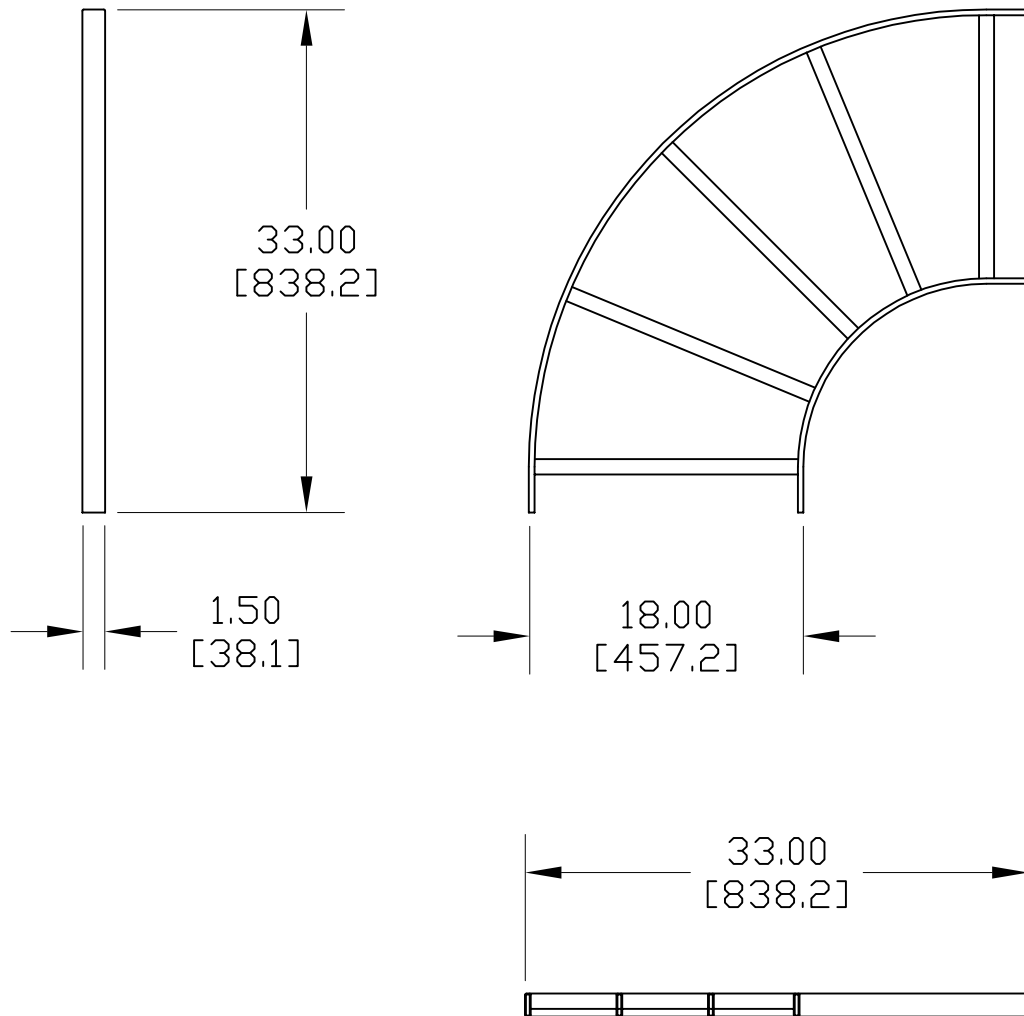


MATERIAL ID	DESCRIPTION	WEIGHT (lbs.)
760085548	LADDER RACK, 90 DEGREE RADIUS, 18" WIDE	11

NOTES:

- SEE COMMSCOPE CATALOG FOR PART NUMBER SUFFIXES TO INDICATE COLOR/PKG.
- SEE COMMSCOPE CATALOG FOR COMPLETE LIST OF PARTS RELATED TO THE USE OF THIS PRODUCT.
- DIMENSIONS IN PARENTHESES ARE IN METRIC.
- PART INCLUDES:  
(1) LADDER RACK



CR90FCB-18W

COMMSCOPE, INC HICKORY, NORTH CAROLINA

REV	DATE	ECR	DESCRIPTION	BY	DATE	DWG NO.
1	1/30/08		INITIAL ISSUE	TWL	1/30/08	760085548