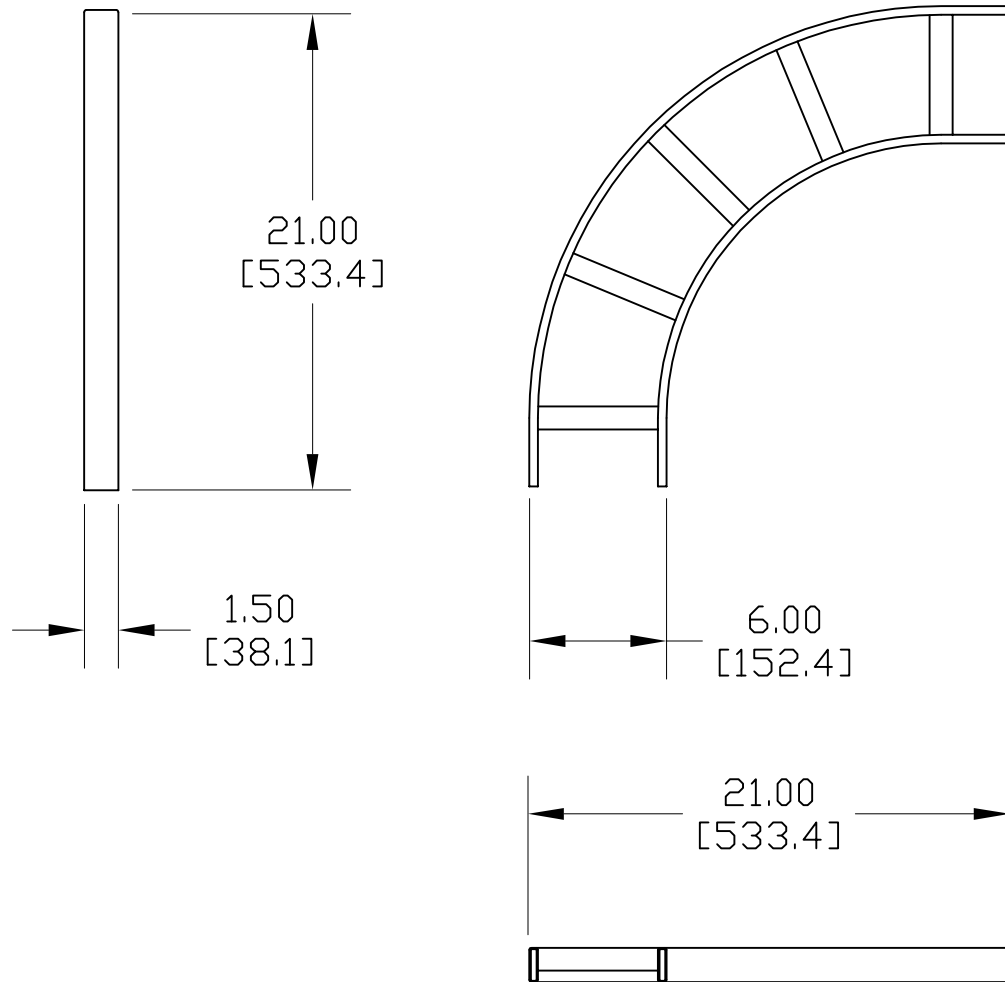


MATERIAL ID	DESCRIPTION	WEIGHT (lbs.)
760085522	LADDER RACK, 90 DEGREE RADIUS, 6" WIDE	7

NOTES:

- SEE COMMSCOPE CATALOG FOR PART NUMBER SUFFIXES TO INDICATE COLOR/PKG.
- SEE COMMSCOPE CATALOG FOR COMPLETE LIST OF PARTS RELATED TO THE USE OF THIS PRODUCT.
- DIMENSIONS IN PARENTHESES ARE IN METRIC.
- PART INCLUDES:
(1) LADDER RACK



CR90FCB-6W	
COMMSCOPE, INC HICKORY, NORTH CAROLINA	
DRAWN BY SEW	
DATE 1/30/08	
DWG NO. 760085522	

REV	DATE	ECR	DESCRIPTION	BY
1	1/30/08		INITIAL ISSUE	TWL