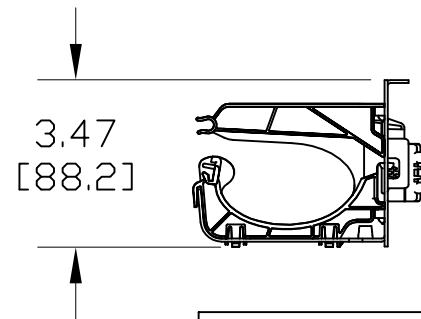
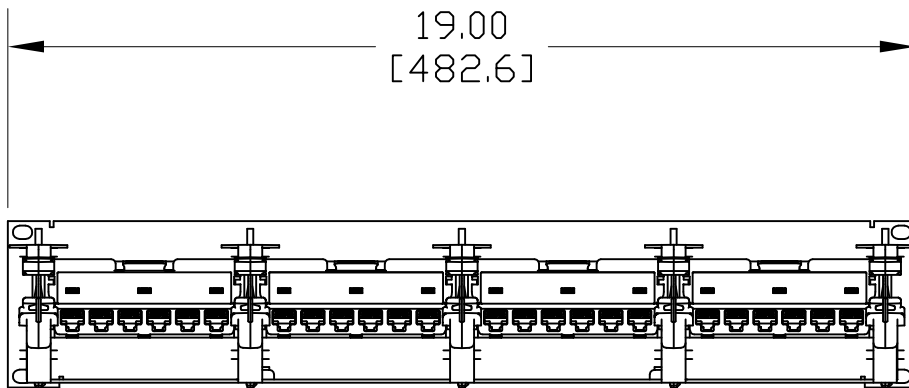


MATERIAL ID	DESCRIPTION	WEIGHT (lbs.)
760062356	24 PORT PATCHMAX GS3 PANEL with TERMINATION MANAGER	3.16

NOTES:

- SEE SYSTIMAX CATALOG FOR PART NUMBER SUFFIXES TO INDICATE COLOR/PKG.
- SEE SYSTIMAX CATALOG FOR COMPLETE LIST OF PARTS RELATED TO THE USE OF THIS PRODUCT.
- DIMENSIONS IN PARENTHESES ARE IN METRIC.
- PART INCLUDES:
  - (1) PANEL, 2U
  - (5) RETAINERS, 2U
  - (4) PATCHMAX MODULES
  - (28) TERMINATION MANAGERS
  - (1) RETAINER, REAR



PM-GS3-24 w/Termination Mgt.	
COMMScope, INC HICKORY, NORTH CAROLINA	
SYSTIMAX® SOLUTIONS	
DRAWN BY SEW	DWG NO. 760062356
DATE 4/30/09	

REV	DATE	ECR	DESCRIPTION	BY
1	4/30/09		INITIAL ISSUE	TCM