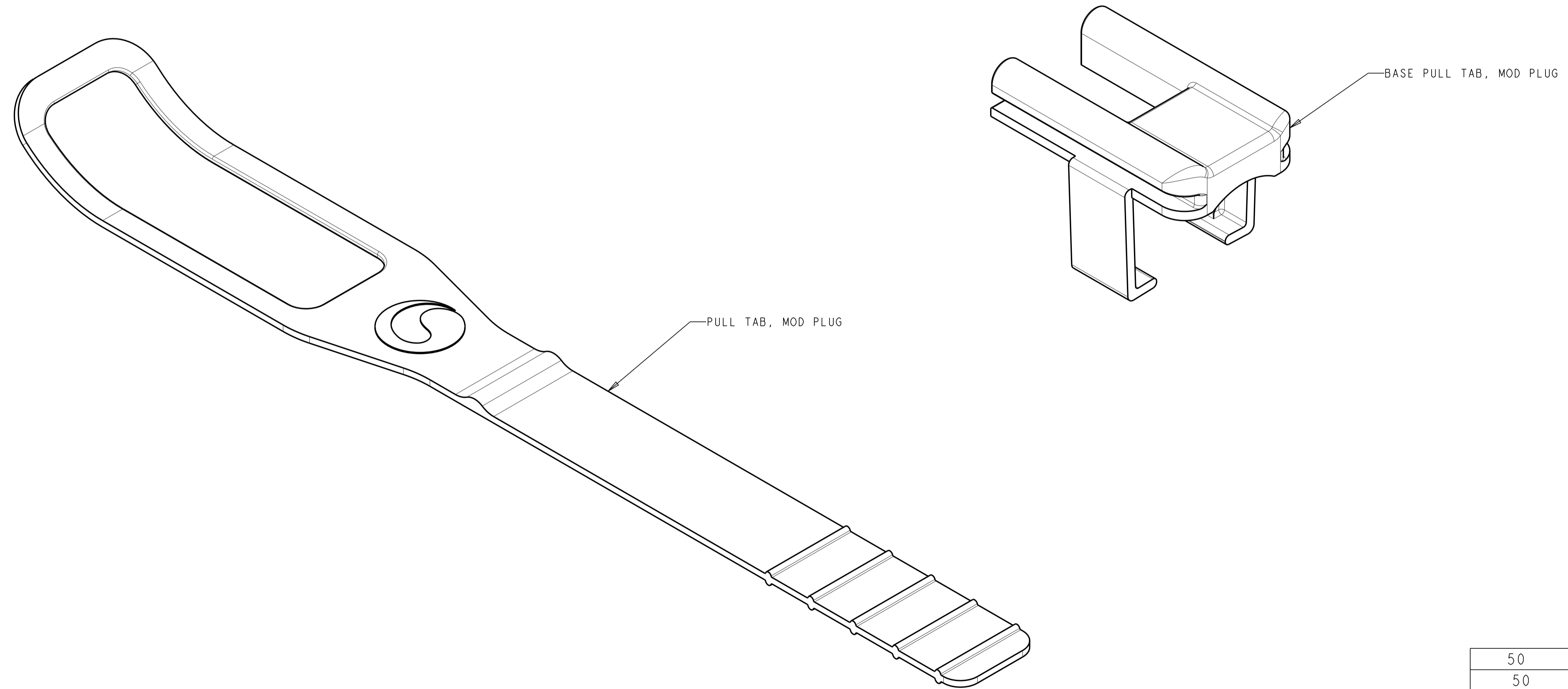


THIS DRAWING IS UNPUBLISHED. RELEASED FOR PUBLICATION
 © 2016 COMMSCOPE, INC. CONFIDENTIAL NOTICE: THESE DRAWINGS AND SPECIFICATIONS ARE THE PROPRIETARY PROPERTY OF COMMSCOPE, INC. AND MAY BE USED ONLY FOR THE SPECIFIC PURPOSE AUTHORIZED IN WRITING BY COMMSCOPE, INC.

REVISIONS				
P	LTN	DESCRIPTION	DATE	APP'D
A		INITIAL RELEASE; 40051984CMO	16OCT2017	GG MS

NPC-UNC-PULLTAB-XX

△ MATERIAL: PULL TAB, MOD PLUG - NYLON 66
 BASE PULL TAB, MOD PLUG - POLYCARBONATE
 2. THE PULL TAB MOD PLUG AND BASE PULL TAB MOD PLUG NOT ASSEMBLED.



50	VIOLET	NPC-UNC-PULLTAB-VT
50	GREEN	NPC-UNC-PULLTAB-GN
50	YELLOW	NPC-UNC-PULLTAB-YL
50	RED	NPC-UNC-PULLTAB-RD
50	BLUE	NPC-UNC-PULLTAB-BL
50	ORANGE	NPC-UNC-PULLTAB-OR
50	NEMA GRAY	NPC-UNC-PULLTAB-GY
50	ALPINE WHITE	NPC-UNC-PULLTAB-WH
50	BLACK	NPC-UNC-PULLTAB-BK
PACKAGE	COLOR	CATALOG/PART NUMBER

THIS DRAWING IS A CONTROLLED DOCUMENT.		OWN P. PEPE 21APRIL2017	COMMSCOPE, INC. NAME NPC AND UNC PATCH CORD, PULL-TAB, "COLOR", 50 PCS SIZE CAGE CODE DRAWING NO RESTRICTED TO A I ©=2843059 SCALE 6:1 SHEET 1 OF 1 REV A
DIMENSIONS: mm [inches]		CHK P. PEPE 21APRIL2017	
TOLERANCES UNLESS OTHERWISE SPECIFIED:		APP'D P. PEPE 21APRIL2017	
0 PLC ± 1 PLC ± 2 PLC ± 3 PLC ± 4 PLC ± ANGLES ± FINISH		PRODUCT SPEC	
MATERIAL		WEIGHT	CUSTOMER DRAWING