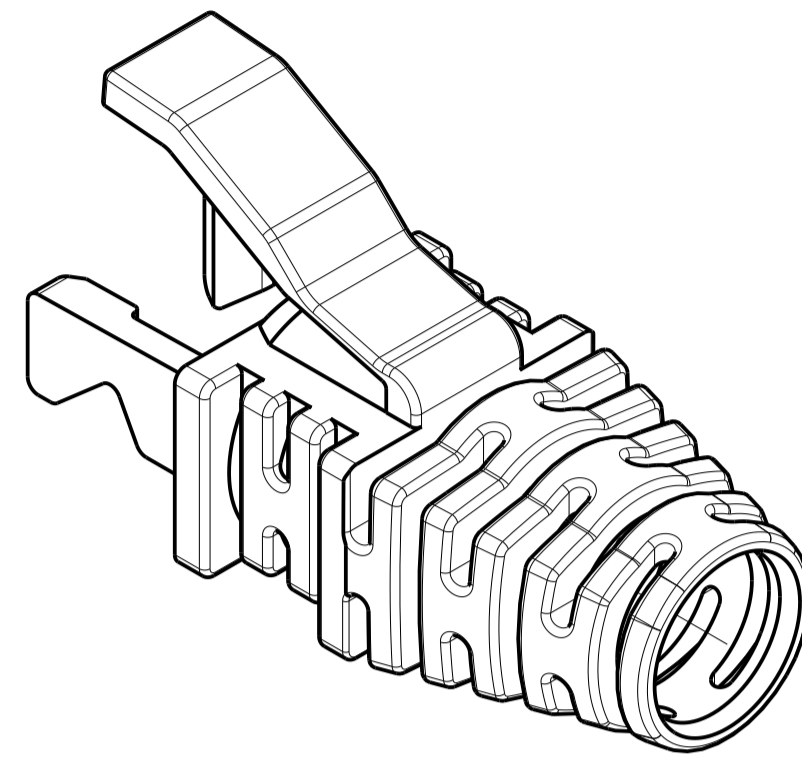


# MP-5EU-BOOT-

REVISIONS			
REV	DESCRIPTION	DATE	APPROVED
A	RLSD; 40031552MCO	14JUL2016	JG
	40050973CMO	14NOV2017	LS

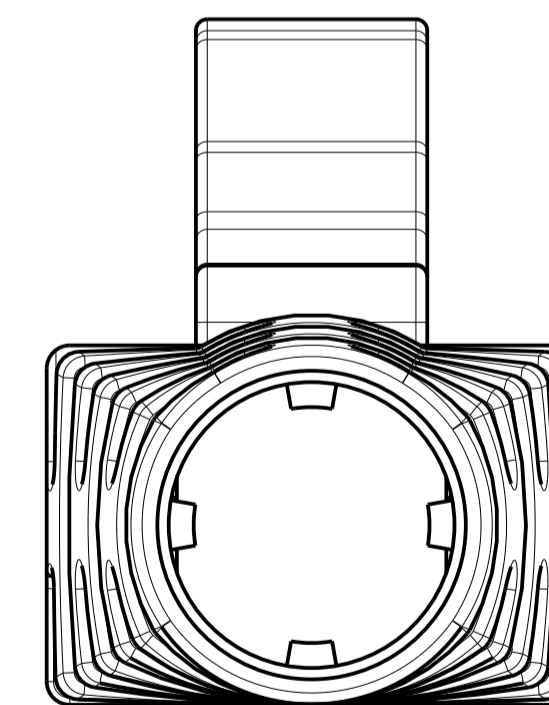
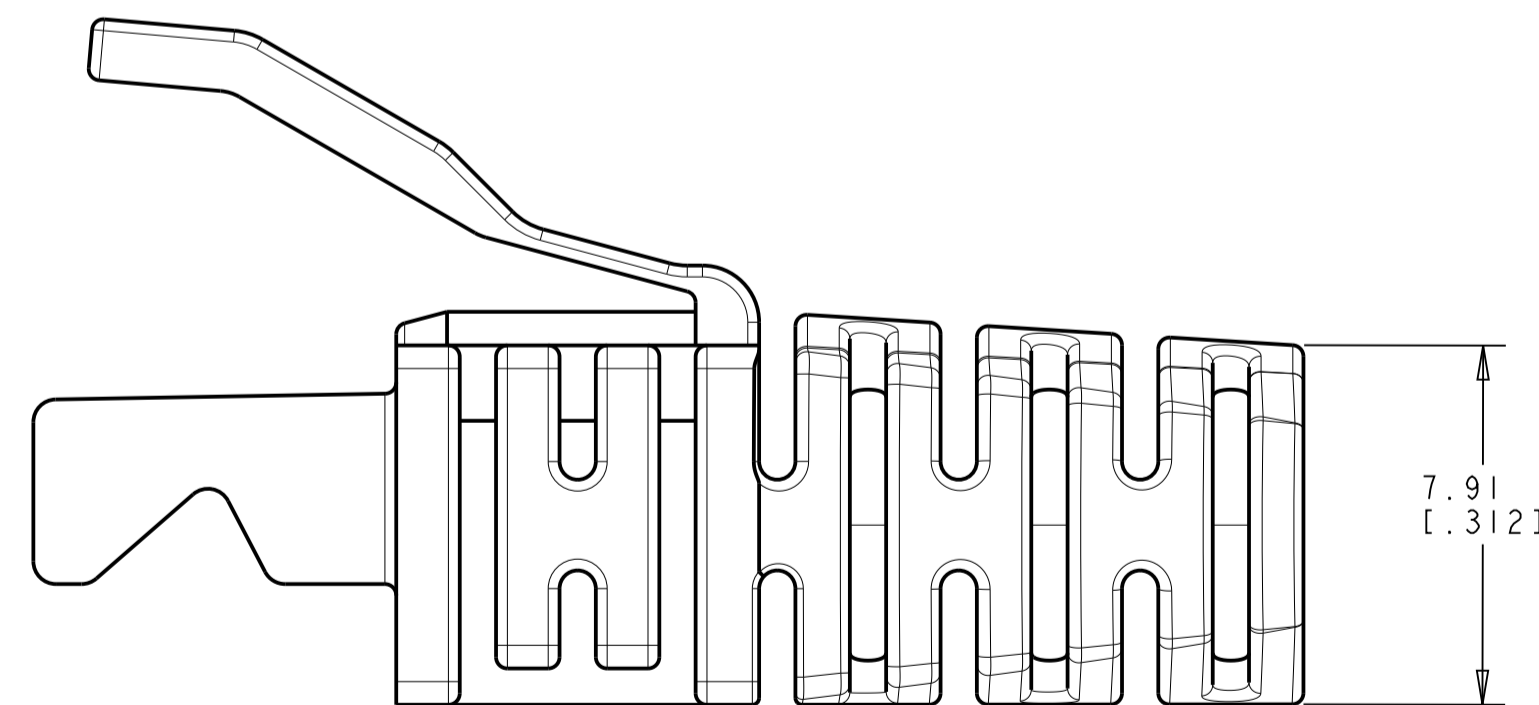
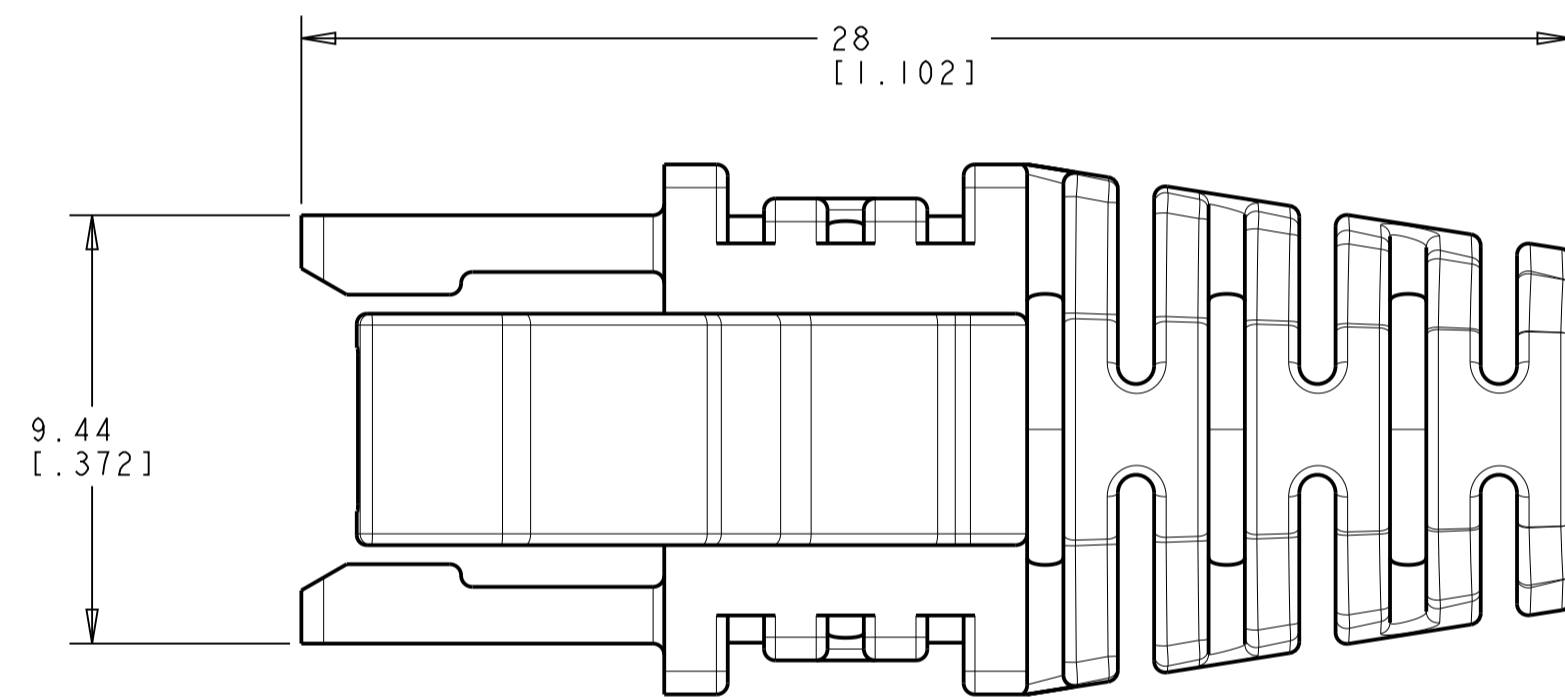
- △ MATERIAL - POLYCARBONATE CLEAR.
- △ DIMENSIONS ARE NOMINAL UNLESS OTHERWISE SPECIFIED.



SCALE 4:1

DIAMETER TABLE	
62:	6.2 MM MAX [.244] IN MAX
57:	5.7 MM MAX [.224] IN MAX

PACKAGE SIZE	
10	= 1000



1000	5.7 MM [.224 IN] MAX	2843048-1	MP-5EU-BOOT-57-10
	6.2 MM [.244 IN] MAX	2111797-1	MP-5EU-BOOT-62-10
PACKAGE	CABLE DIAMETER	△ MATERIAL	CATALOG NUMBER

UNITS	mm
TOLERANCE	VALUE
0 PLC	-
1 PLC	-
2 PLC	-△
3 PLC	-
4 PLC	-
ANGLE TOL	-
SURFACE TOL	-

**COMMSCOPE, INC.**

DRAFTER <b>G GARRETT</b>	TITLE <b>BOOT, MODULAR PLUG, 5EU,</b>
ENGINEER <b>J GENIAC</b>	SIZE <b>A</b>
SCALE <b>6:1</b>	DOCUMENT NO. <b>2843048-C</b>
REVISION	SHEET
	<b>1 OF 1</b>

CUSTOMER DRAWING