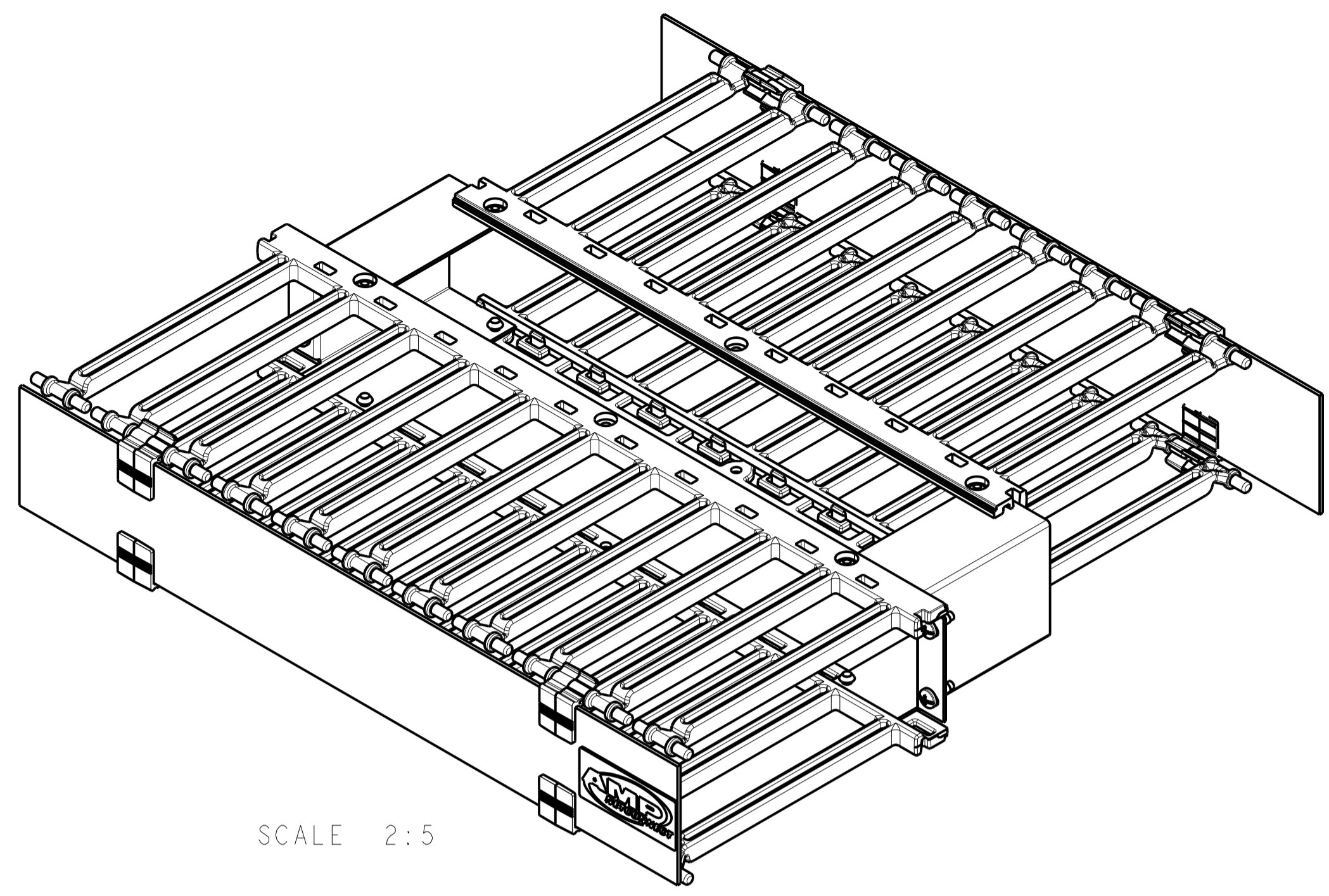


REVISIONS				
P.	LTN	DESCRIPTION	DATE	APP'D
A		RLSD; NSD07-114	14DEC2007	GG SH
B		REV: ECO-08-013669	06JUN2008	GG SH
C		REV PER BNS_CD_BRAND	01FEB2017	GG DC

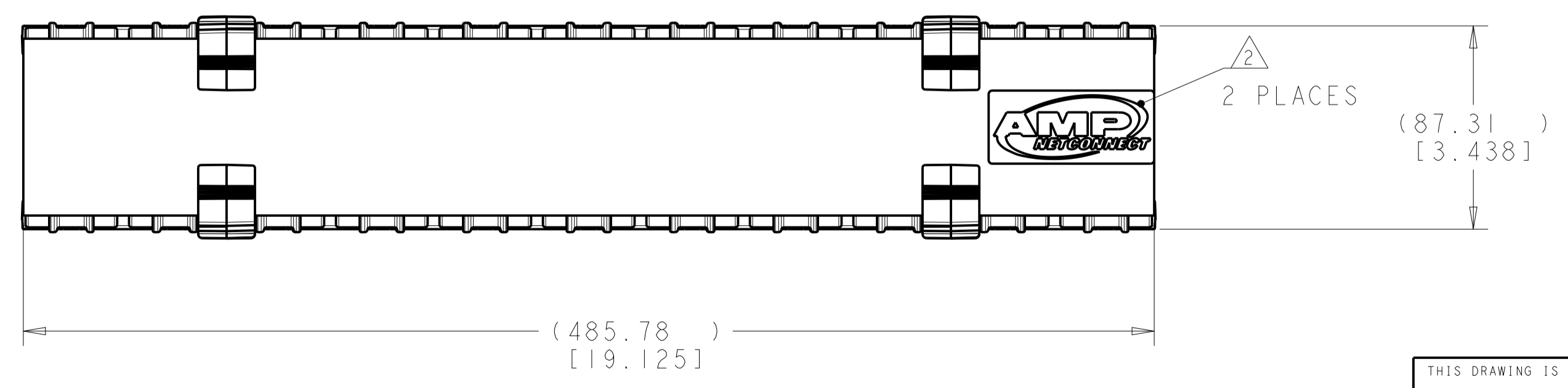
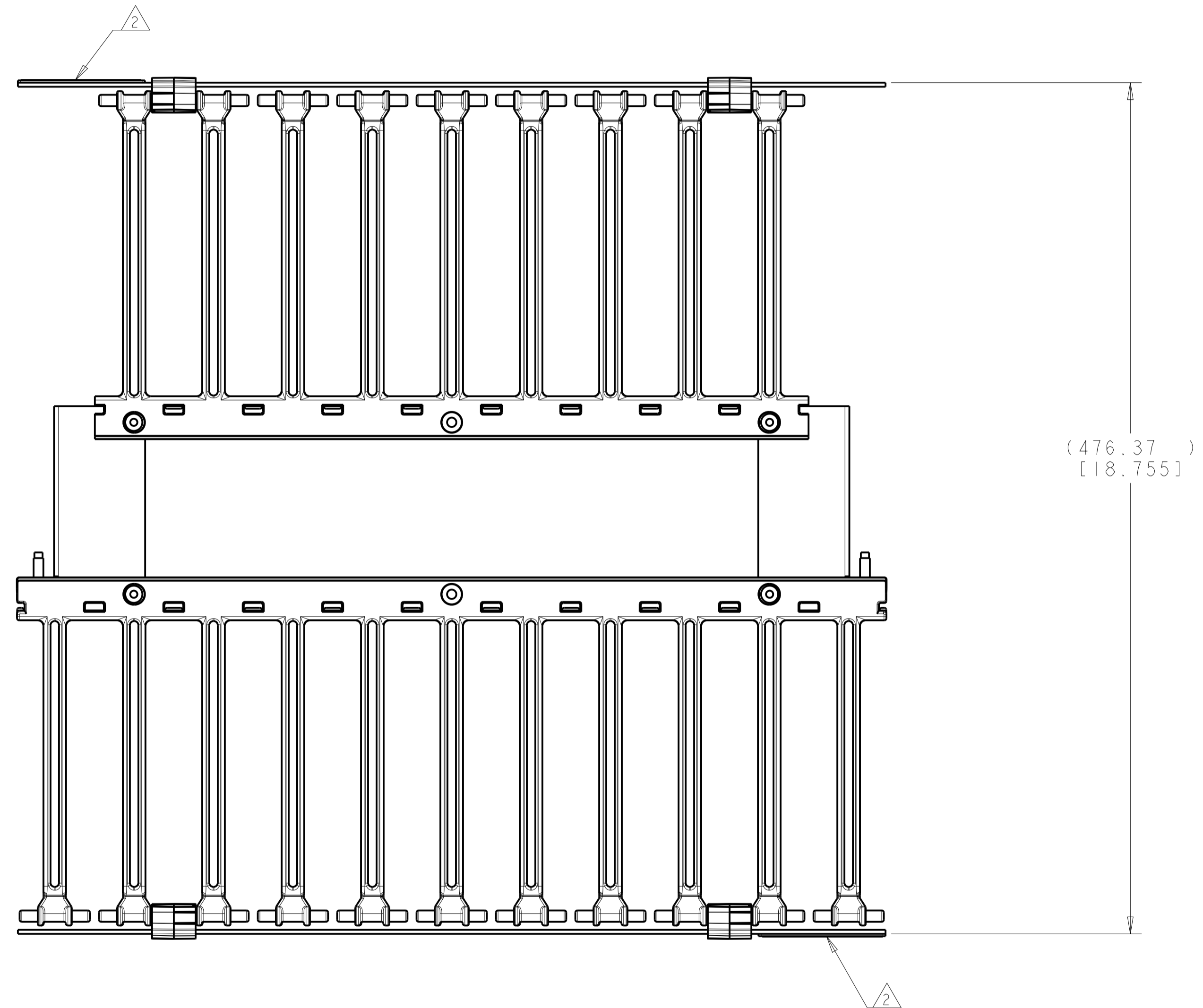


SCALE 2:5

△ MATERIAL:
 FINGER SECTIONS - UL 94V-0 POLYCARBONATE, BLACK.
 CABLE MANAGER COVERS - (2.29) [.090] 5052-H32 ALUMINUM.
 SPACERS/BRACKETS - 14 GA. CARBON STEEL.

FINISH:
 SPACERS, BRACKETS AND CABLE MANAGER COVERS -
 POLYESTER POWDERCOATING, FLAT BLACK, 1F59126.

△ AMP NECONNECT LOGO SHALL BE WHITE
 LETTERING ON BLACK COLORED BACKGROUND,
 RAISED BUBBLE TYPE ADHESIVE EMBLEM.
 PRINT LOGO, AS SHOWN, DOES NOT REFLECT
 TRUE BLACK BACKGROUND.



1933567-1
 PART NUMBER

THIS DRAWING IS A CONTROLLED DOCUMENT.		DWN: G. GARRETT 14DEC2007	COMMSCOPE, INC.	
DIMENSIONS: (MM) [INCHES]		CHK: S. HERNDON 14DEC2007	NAME: HORIZONTAL 2U, DOUBLE SIDED, EXTENDED FINGERS	
TOLERANCES UNLESS OTHERWISE SPECIFIED:		APP'D: S. HERNDON 14DEC2007	SIZE: A1 CAGE CODE: 1933567	
0 PLC ±	1 PLC ±	PRODUCT SPEC	RESTRICTED TO	
2 PLC ±	3 PLC ±	APPLICATION SPEC	SCALE: 1:2 SHEET 1 OF 1 REV C	
4 PLC ±	ANGLES ±	WEIGHT		
MATERIAL: △		FINISH: △	CUSTOMER DRAWING	