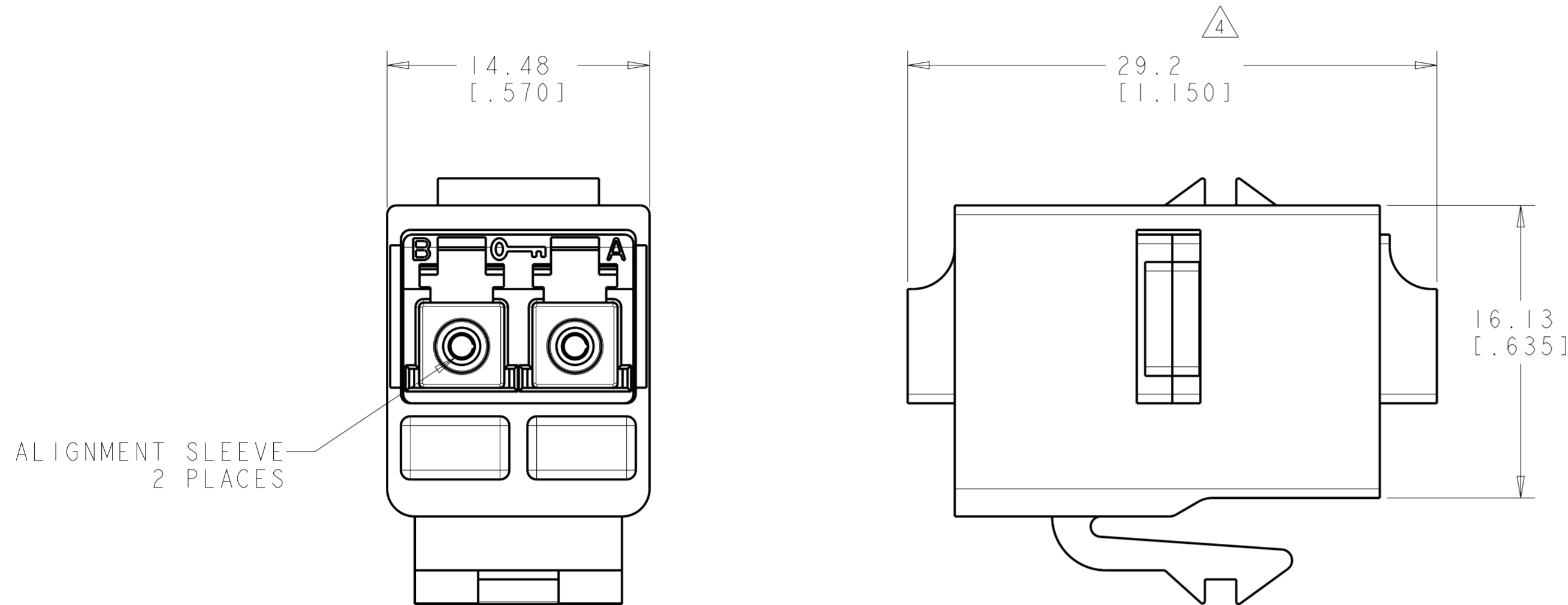


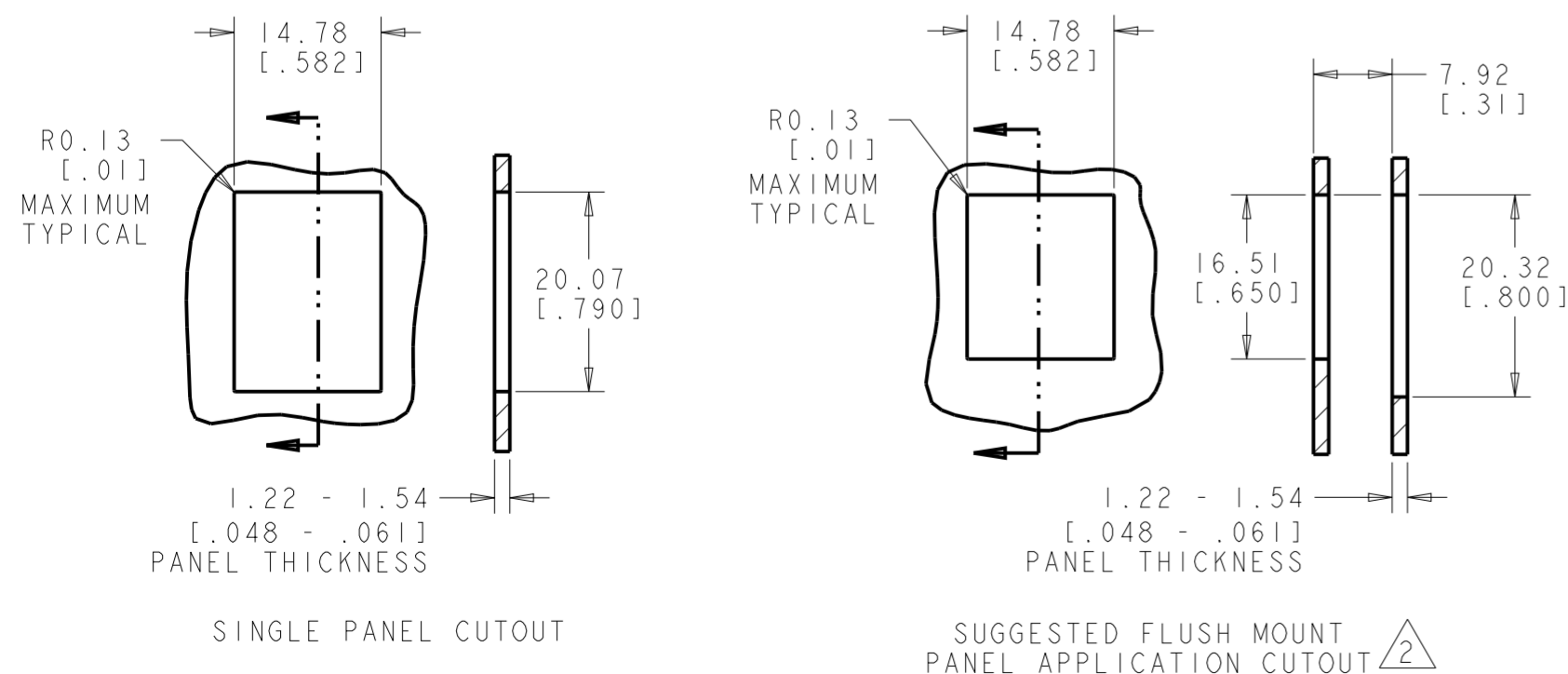
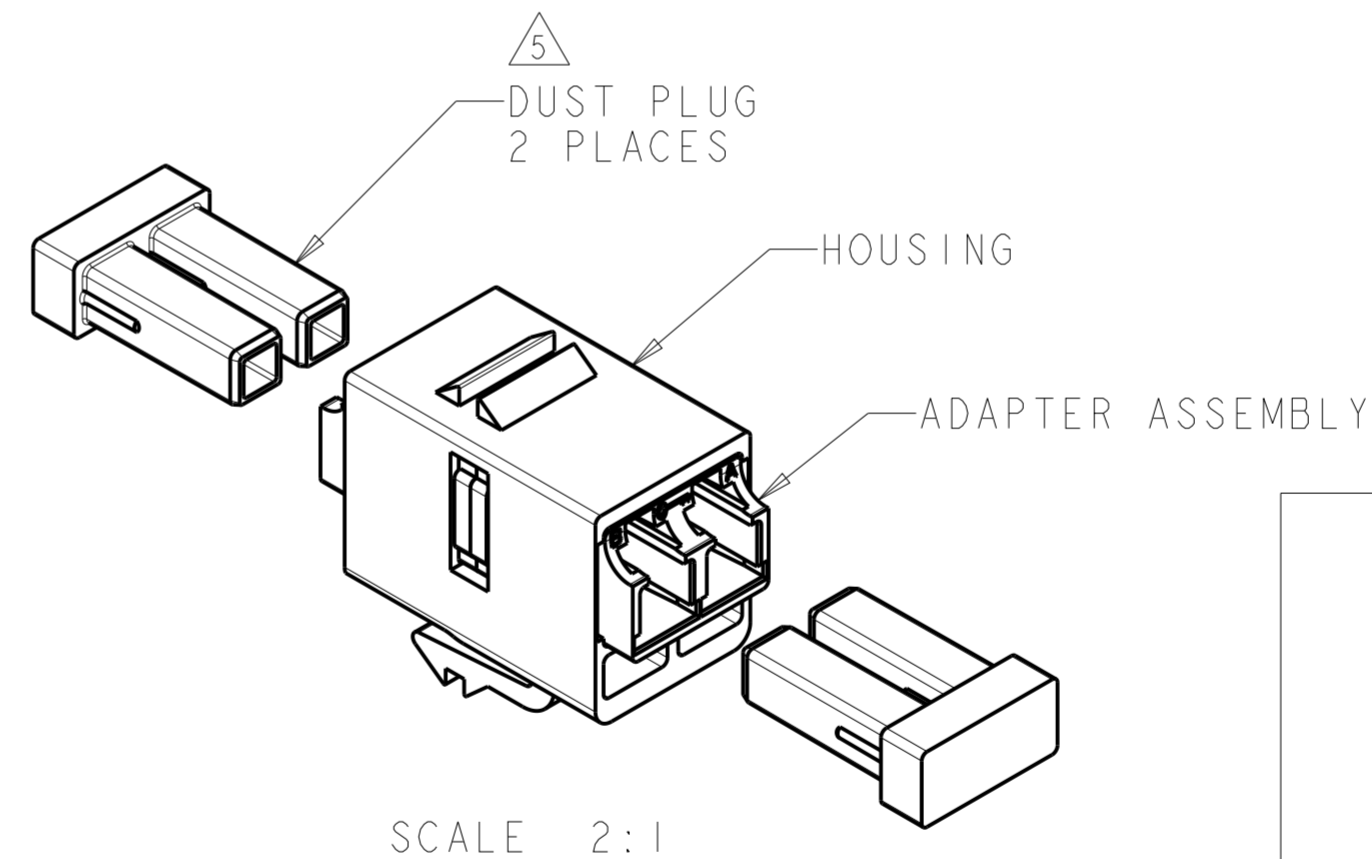
THIS DRAWING IS UNPUBLISHED. RELEASED FOR PUBLICATION
 © 2016 COMMSCOPE, INC. CONFIDENTIAL NOTICE: THESE DRAWINGS AND SPECIFICATIONS ARE THE PROPRIETARY PROPERTY OF COMMSCOPE, INC. AND MAY BE USED ONLY FOR THE SPECIFIC PURPOSE AUTHORIZED IN WRITING BY COMMSCOPE, INC.

REVISIONS					
P	LTR	DESCRIPTION	DATE	DWN	APVD
A		RLSD; NSD07-030	18APR2007	GG	GB
B		REV PER BNS_CD_BRAND	07FEB2017	GG	DC



- 1 MATERIAL:**
 HOUSING - POLYPHENYLENE OXIDE, 94V-0 RATED. SEE TABLE FOR COLOR.
 ADAPTER ASSEMBLY - HOUSINGS - THERMOPLASTIC, PPE-PS*
 ALIGNMENT SLEEVES - CERAMIC
 DUST PLUGS: THERMOPLASTIC ELASTOMERS*
 *UL 94V-0 RATED AT QUALIFYING THICKNESS
- 2** THESE TWO SUGGESTED CUTOUT OPENINGS ARE USED IN TANDEM WITH DUAL FRONT AND BACK CUTOUTS.
- 3** PACKAGED ONE ASSEMBLY PER POLYBAG.
- 4** DIMENSION APPLIES WITH DUST PLUGS REMOVED.
- 5** DUST PLUGS SHOWN NOT ASSEMBLED BUT SHIPPED ASSEMBLED TO DUPLEX LC ADAPTER.

ALIGNMENT SLEEVE
2 PLACES



3	SLATE	1-1933285-0
	ORANGE	1933285-9
	VIOLET	1933285-8
	BROWN	1933285-7
	AQUA	1933285-6
	ROSE	1933285-5
	BLUE	1933285-4
	GREEN	1933285-3
	YELLOW	1933285-2
RED	1933285-1	
PACKAGE	HOUSING COLOR	PART NUMBER

THIS DRAWING IS A CONTROLLED DOCUMENT.		DWN G GARRETT 18APR2007	COMMSCOPE, INC.			
DIMENSIONS: MM [INCHES]		CHK G BOWMAN 18APR2007				
TOLERANCES UNLESS OTHERWISE SPECIFIED:		APVD G BOWMAN 18APR2007				
0 PLC ± 1 PLC ± 2 PLC ± 3 PLC ± 4 PLC ± ANGLES ± FINISH		NAME ADAPTER, DUPLEX, LC, HYBRID, SL				
MATERIAL		PRODUCT SPEC	SIZE	CAGE CODE	DRAWING NO	RESTRICTED TO
		APPLICATION SPEC	A2		G-1933285	
		WEIGHT	CUSTOMER DRAWING		SCALE 4:1	SHEET 1 OF 1
					REV B	