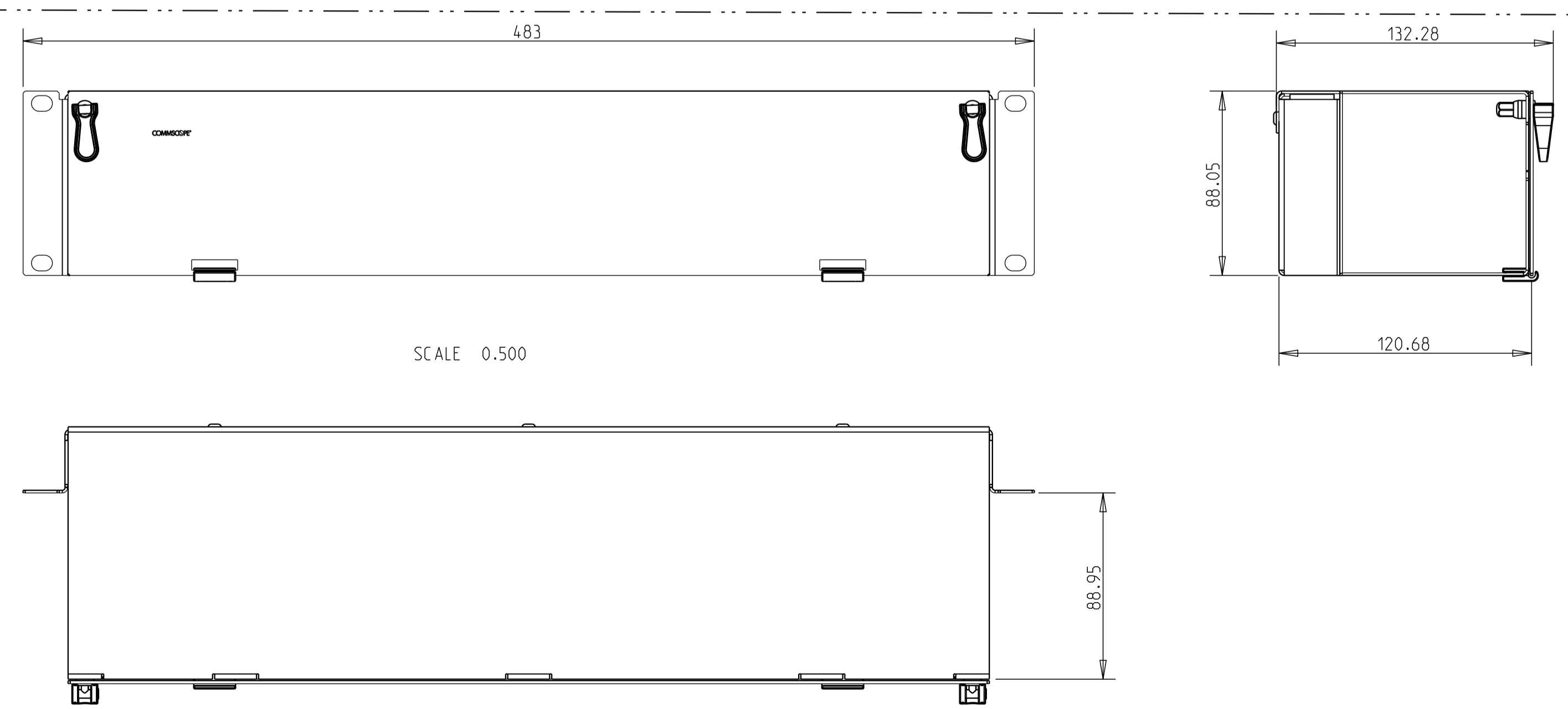
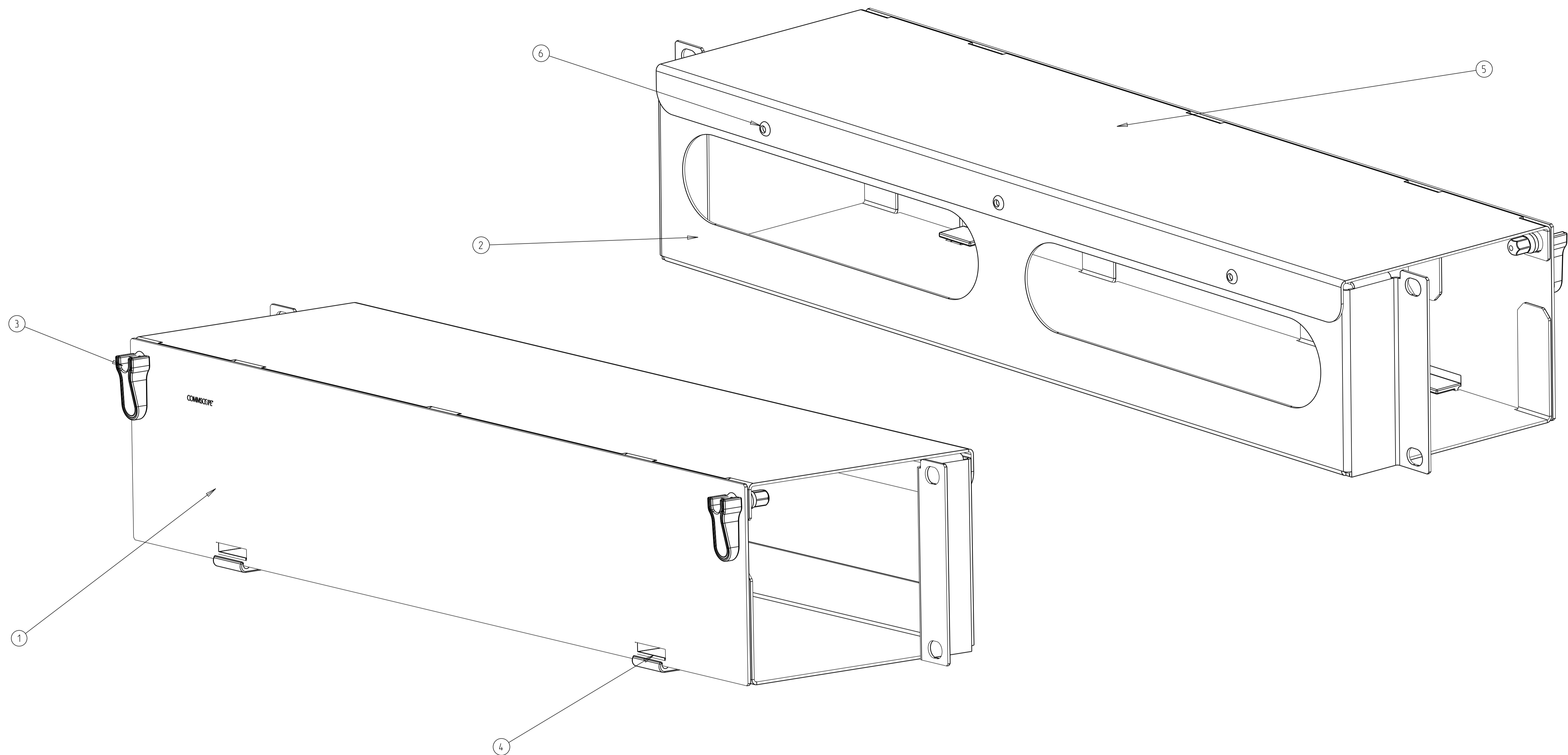


REVISONS		DATE	DWN	APVD
F	ECR-13-001701	29JAN2013	HB	DT
G	ECR-8000018218 REBRANDING	12DEC2016	RCR	SC



QTY	DESCRIPTION	ITEM
1	LABEL	7
3	Rivet, 3.2 Body OD, 8 long, 3.5 - 5 gr	6
1	Hi-D 2U Pass-through duct - top	5
2	Plastic hinge for sub-rack	4
2	Swell latch	3
1	Hi-D 2U Pass-through duct - body	2
1	Hi-D 2U Pass-through duct - cover	1

THIS DRAWING IS A CONTROLLED DOCUMENT. DWN: 30NOV2009, CHK: 30NOV2009, APVD: 30NOV2009

COMMSCOPE, INC.
 Hi-D 2U Pass through duct

SIZE: A1, CAGE CODE: - , DRAWING NO: C=1671080-C, RESTRICTED TO: -

CUSTOMER DRAWING, SCALE: 1.000, SHEET 1 OF 1, REV G