

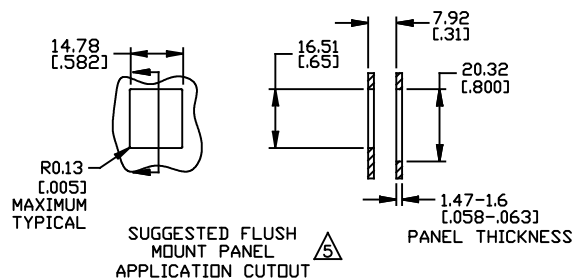
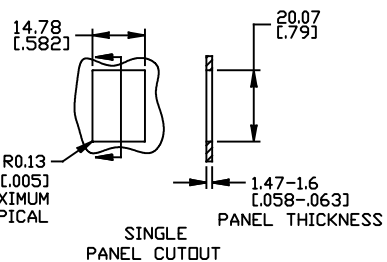
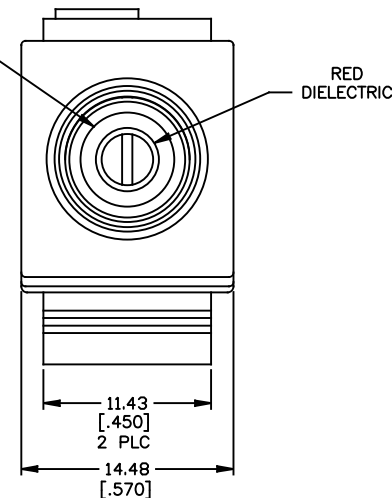
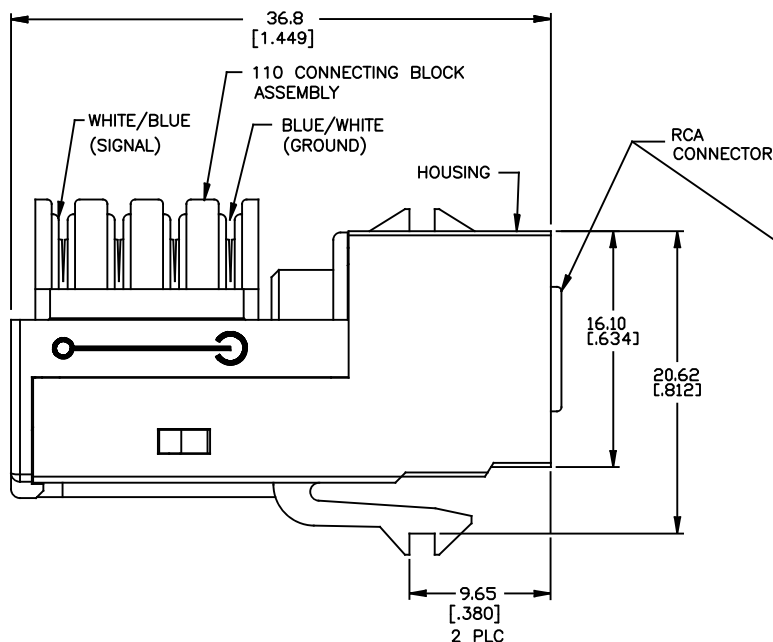
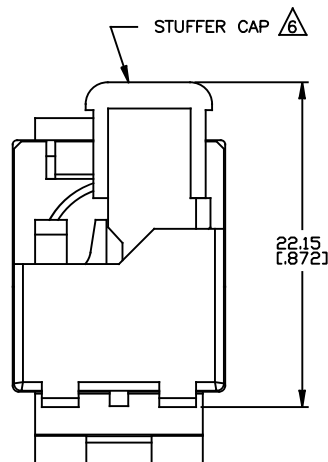
THIS DRAWING IS UNPUBLISHED. RELEASED FOR PUBLICATION
 © 2016 Commscope, INC. Confidential. All rights reserved. These drawings and specifications are the proprietary property of COMMSCOPE, INC and may be used only for the specific purpose authorized in writing by COMMSCOPE, INC.

REVISIONS				
#	LR	DESCRIPTION	DATE	DWG APPD
E		ECO-13-007086	29APR2013	JM RA
F		REV PER BNS_CD_BRAND	20JAN2017	GG DC

COLOR CODE 110 BLOCK RCA
 BLUE/WHITE <-----> GROUND
 WHITE/BLUE <-----> SIGNAL

ELECTRICAL SCHEMATIC

- ⚠ MATERIAL: HOUSING - POLYPHENYLENE OXIDE, 94V-0 RATED. SEE TABLE FOR COLOR. STUFFER AND 110 BLOCK - POLYCARBONATE, 94V-0 RATED.
- 2. PACKAGED 1 KIT PER POLYBAG.
- 3. DIMENSIONS SHOWN ARE FOR REFERENCE ONLY.
- 4. MOUNTING PANEL THICKNESS 1.473 - 1.600 [.058 - .063].
- ⚠ THESE TWO SUGGESTED CUTOUT OPENINGS ARE USED IN TANDEM WITH DUAL FRONT AND BACK CUTOUTS.
- ⚠ STUFFER CAP SHOWN ASSEMBLED, BUT SHIPPED UNASSEMBLED.
- 7. 110 BLOCK WILL TERMINATE 22-26 AWG SOLID CONDUCTOR WITH MAXIMUM INSULATING DIAMETER OF 1.27[.050].



ALPINE WHITE	1-1479230-3
LIGHT ALMOND	1479230-1
COLOR	PART NUMBER

THIS DRAWING IS A CONTROLLED DOCUMENT.

DIMENSIONS: mm [INCHES]	TOLERANCES UNLESS OTHERWISE SPECIFIED:	DWG L. HALL 28APR02	DATE 28APR02
0 PLC ± -	1 PLC ± -	CHK G. BOWMAN 30APR02	NAME
2 PLC ± -	3 PLC ± -	APVD G. BOWMAN 30APR02	PRODUCT SPEC
4 PLC ± -	ANGLES ±	APPLICATION SPEC	SIZE CASE CODE DRAWING NO
MATERIAL	FINISH	WEIGHT	A2 - C=1479230
⚠		CUSTOMER DRAWING	RESTRICTED TO
		SCALE 4:1	SHEET 1 of 1 REV F

COMMSCOPE, INC.
 KIT, ADAPTOR RCA/110 CONNECT, RED

1479230

A